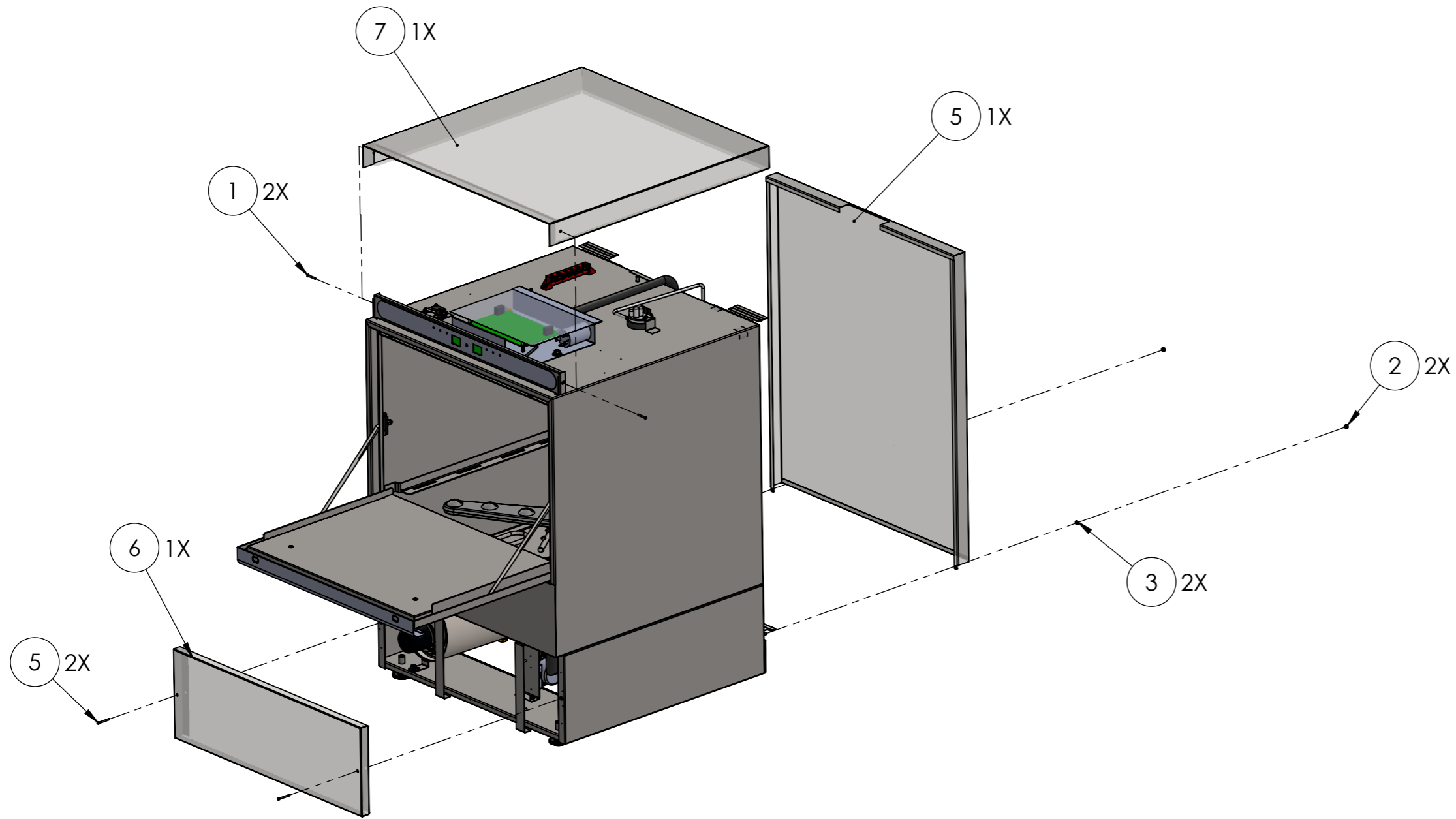


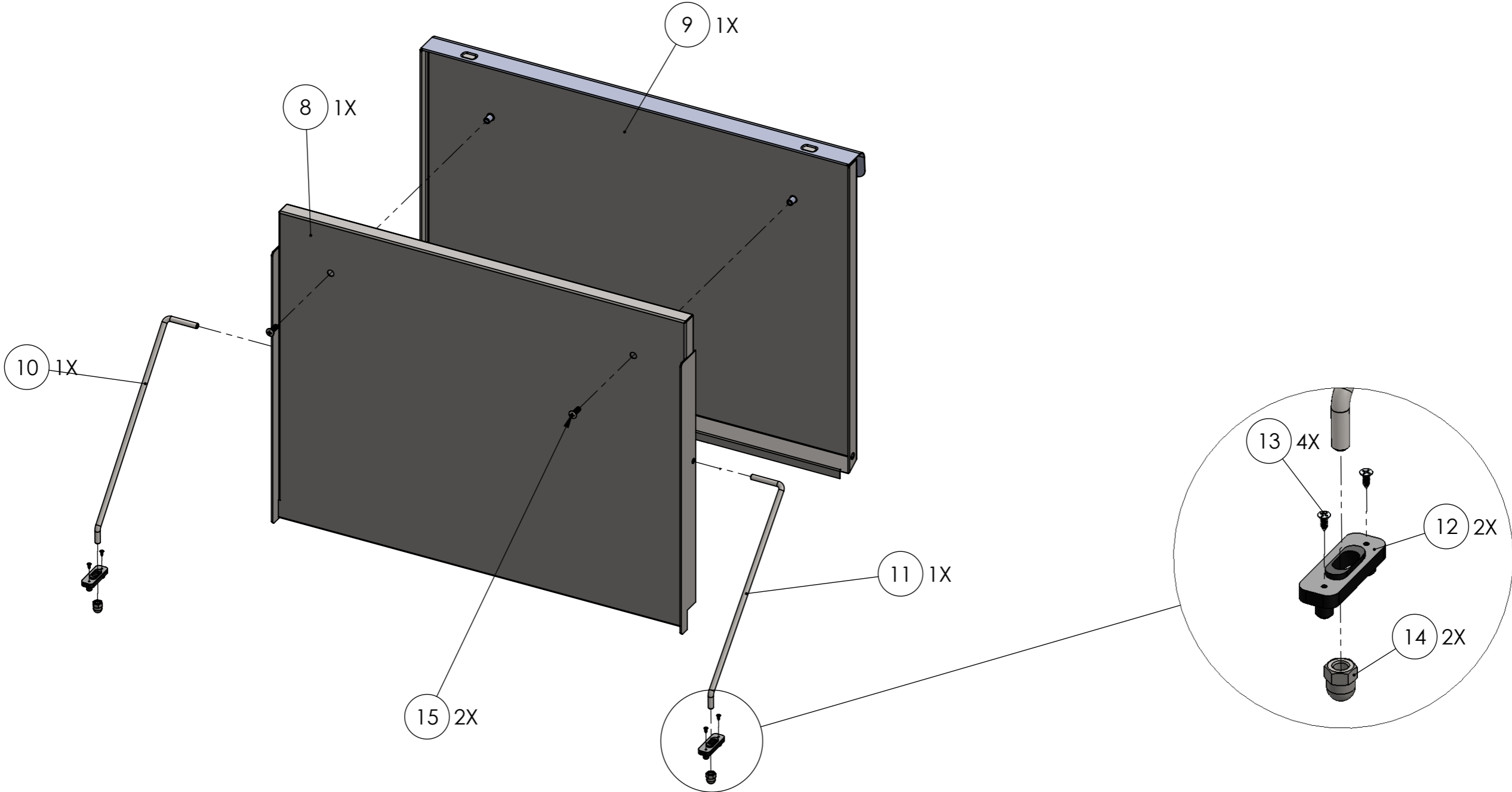
ITEM NO.	PART NUMBER	DESCRIPTION	QTY.
1	001.00.00213	INOX SCREW M4X15	2
2	002.00.00095	INOX NUT M4	2
3	002.00.00140	LOCK WASHER INOX Φ 4	2
4	001.50.00043	BACK COVER INOX V50 - K50	1
5	001.00.00261	INOX SCREW M4X30	2
6	001.50.00048	FRONT COVER INOX V50	1
7	001.50.00015	UPPER COVER INOX V50 - K50	1



ITEM CODE:	ITEM DESCRIPTION:
MODEL CODE: 004.50.00023	PAGE: 01
	REVISION: 01

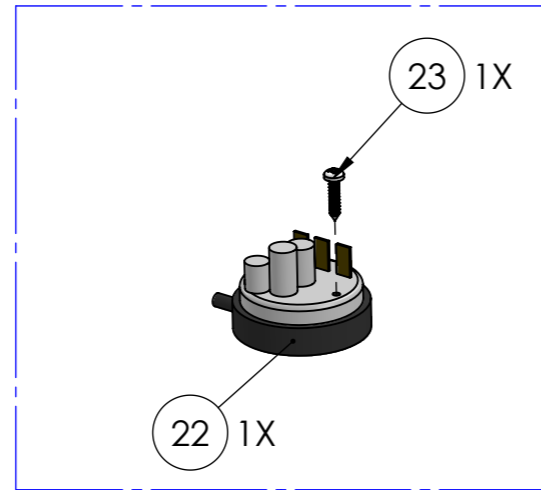
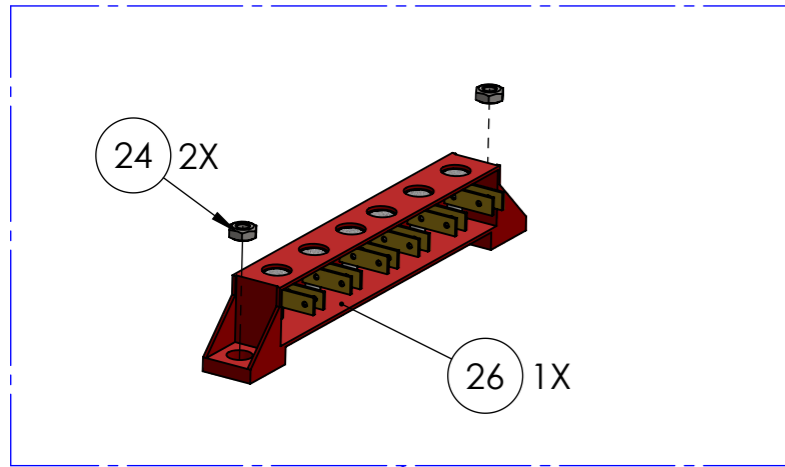
SERIES DESCRIPTION: DISHWASHER	MODEL DESCRIPTION: 500	MODEL VERSION: 220-240V 1~N 50/60 Hz
-----------------------------------	---------------------------	---

ITEM NO.	PART NUMBER	DESCRIPTION	QTY.
8	001.50.00011	BACK PART OF THE DOOR V-K	1
9	001.50.00027	FRONT PART OF THE DOOR V-K	1
10	001.00.00048	DOOR RIGHT SUPPORT AXLE M6X300	1
11	001.00.00048-M	DOOR LEFT SUPPORT AXLE M6X300	1
12	001.00.00221	PLASTIC GUIDE FOR DOOR AXLE	2
13	001.00.00073	INOX SCREW 2,9 X 10	4
14	001.00.00110	DOMED CAP NUT M6	2
15	001.00.00262	INOX TAPPERD SCREW M5X16	2

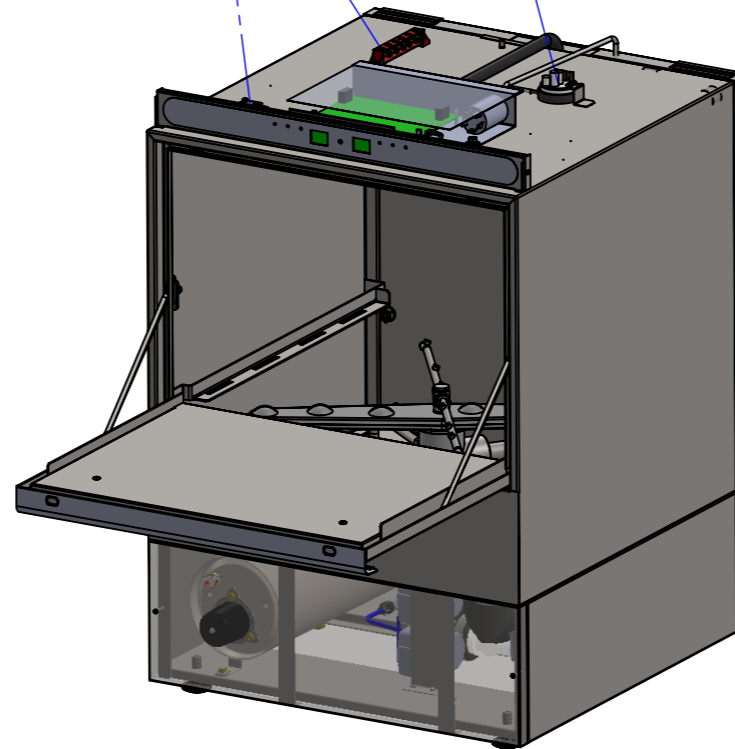
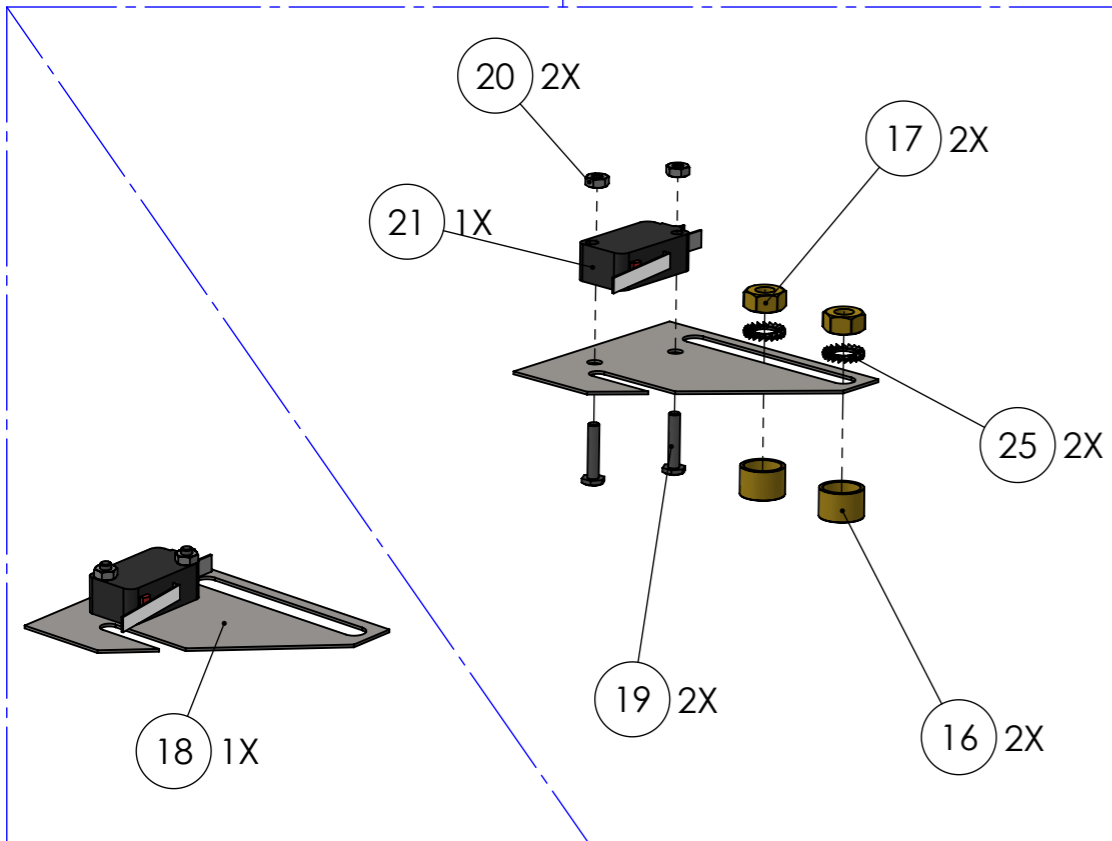


ITEM CODE: 001.50.00046	ITEM DESCRIPTION: DOOR COMPLETE 500
MODEL CODE: 004.50.00023	PAGE: 02
	REVISION: 01

SERIES DESCRIPTION: DISHWASHER	MODEL DESCRIPTION: 500	MODEL VERSION: 220-240V 1~N 50/60 Hz
-----------------------------------	---------------------------	---



ITEM NO.	PART NUMBER	DESCRIPTION	QTY.
16	003.00.00085	SPACER FOR DOOR SWITCH	2
17	003.00.00041	NUT M6 GALVANISED	2
18	003.00.00574	DOOR SWITCH ELECTRICAL PART COMPLETE	1
19	003.00.00065	GALV. HEX. BOLT M3X16	2
20	002.00.00090	GALV. NUT M3	2
21	003.00.00515	DOOR MICROSWITCH 16A	1
22	003.00.00033	PRESSOSTAT	1
23	002.00.00207	TAPPING SCREW 4,2 X 19	1
24	003.00.00046	NUT M4 (GALV)	2
25	001.00.00204	GALVANIZED LOCK WASHER 6,4x11x0,7	2
26	003.00.00030	POWER SUPPLY BOARD 6CON	1

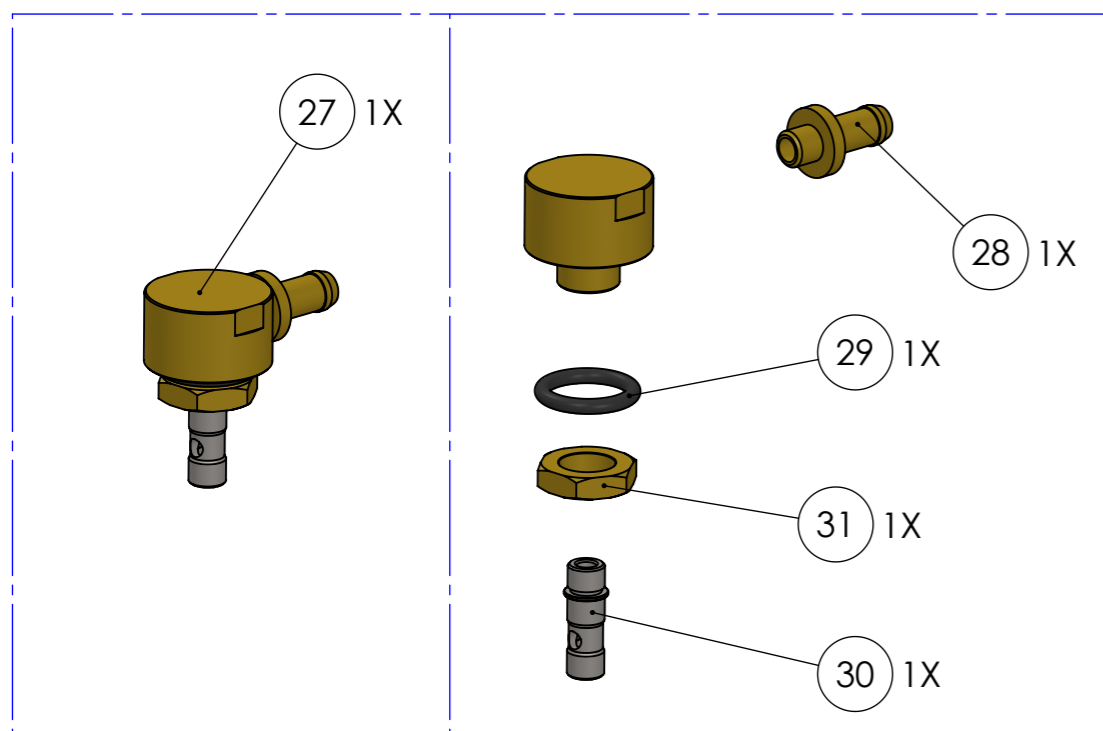


ITEM CODE:	ITEM DESCRIPTION:
MODEL CODE: 004.50.00023	PAGE: 03
	REVISION: 01

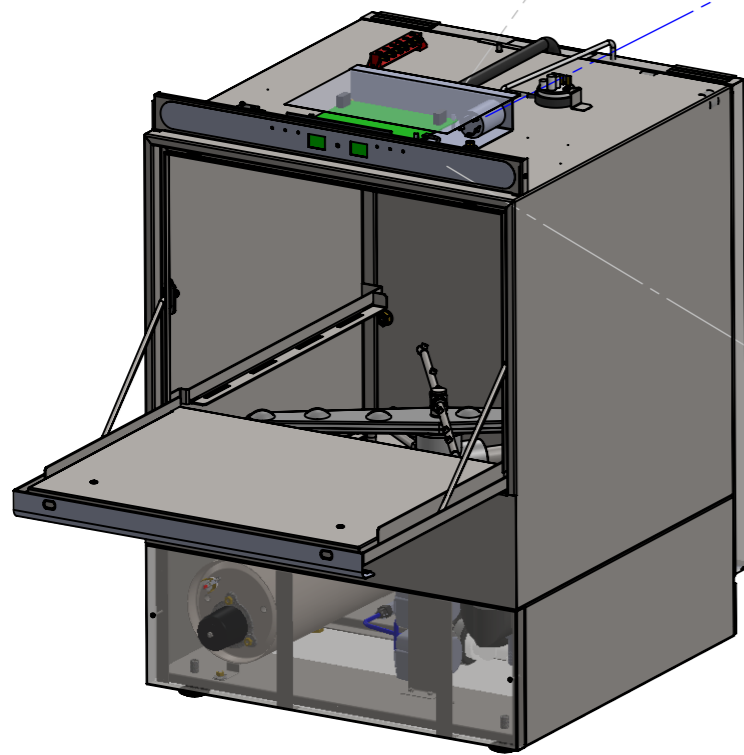
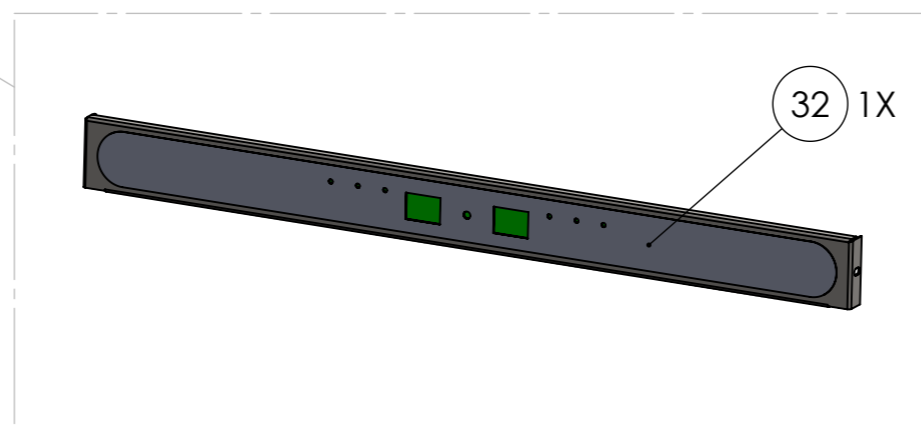
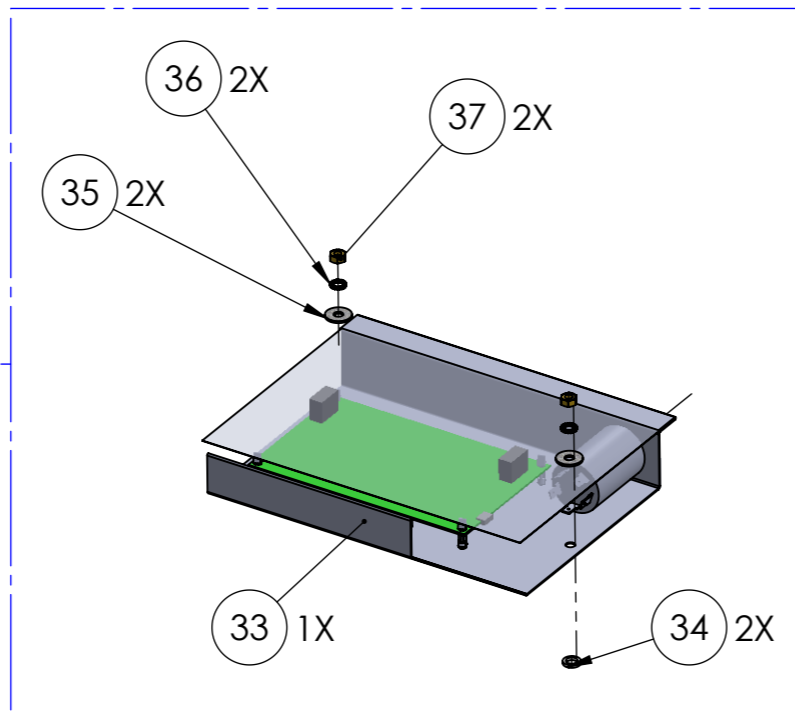
SERIES DESCRIPTION:
DISHWASHER

MODEL DESCRIPTION:
500

MODEL VERSION:
220-240V 1~N 50/60 Hz



ITEM NO.	PART NUMBER	DESCRIPTION	QTY.
27	002.35.00029	UPPER RINSING BASE COMPLETE	1
28	002.00.00001	FITTINGS 1/4X10	1
29	002.00.00097	O-RING 20X4	1
30	002.50.00012	INOX AXLE RINSE BASE BL,VE,KN	1
31	002.00.00065	NUT 3/8	1
32	003.50.00027	CONTROL PANEL COMPLETE A500	1
33	003.50.00036	BOARD PANEL COMPLETE A500	1
34	001.00.00045	TEFLON WASHER $\Phi 12,5 \times 8 \times 2,5$	2
35	003.00.00516	WASHER STEEL $\Phi 6 \times 18$	2
36	001.00.00204	GALVANIZED LOCK WASHER 6,4x11x0,7	2
37	003.00.00041	NUT M6 GALVANISED	2



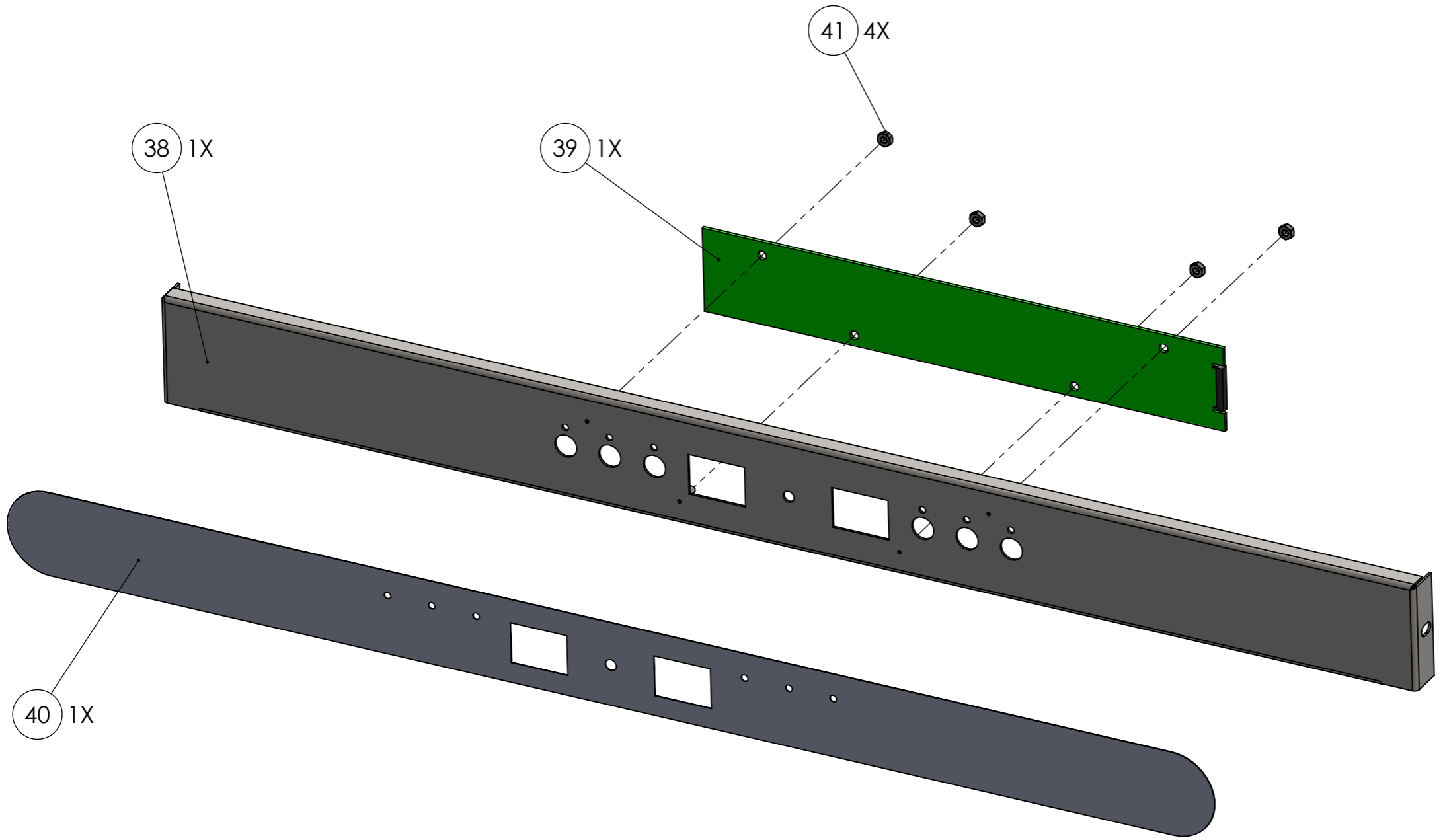
ITEM CODE:		ITEM DESCRIPTION:		
MODEL CODE:	PAGE:	REVISION:		
004.50.00023	04	01		

SERIES DESCRIPTION:
DISHWASHER

MODEL DESCRIPTION:
500

MODEL VERSION:
220-240V 1~N 50/60 Hz

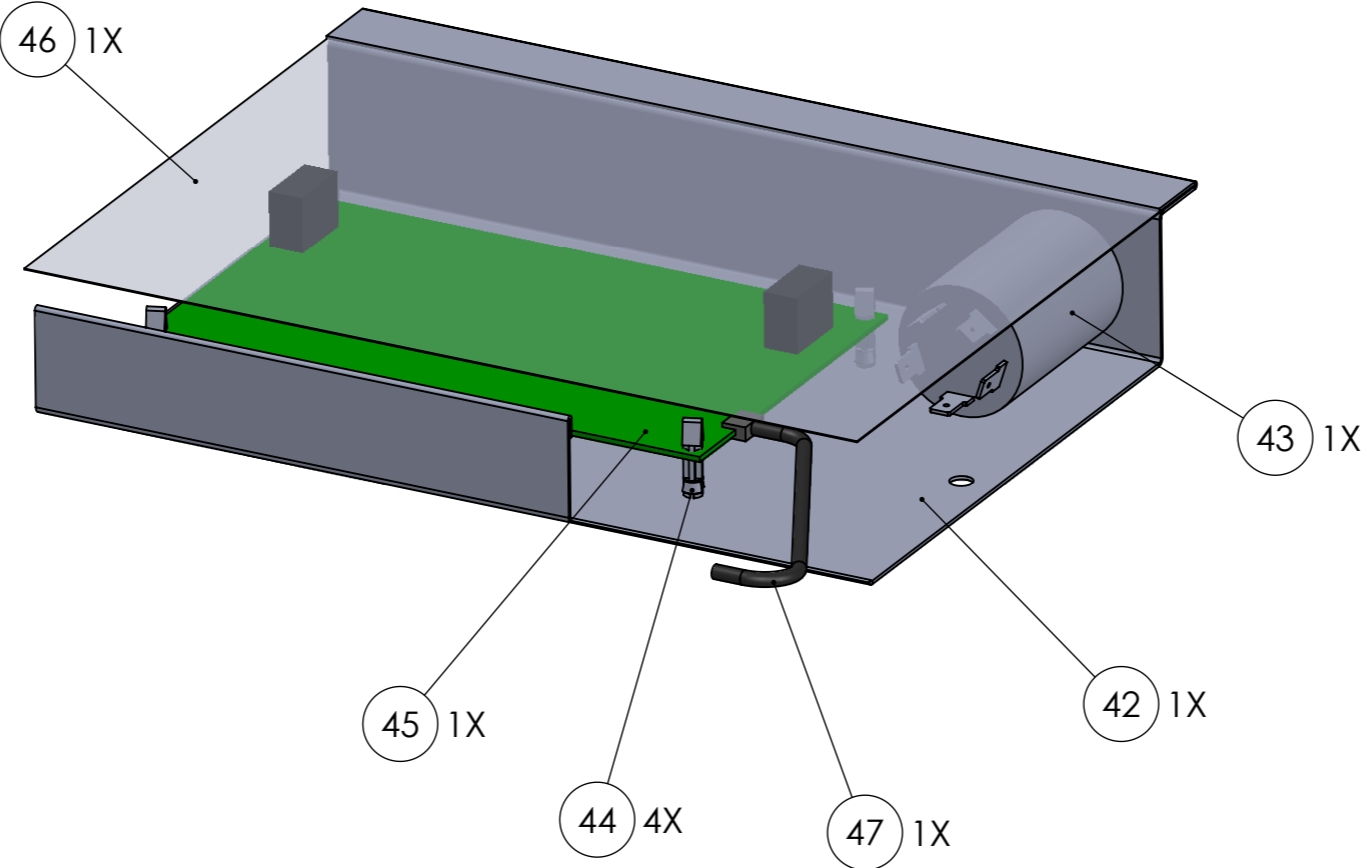
ITEM NO.	PART NUMBER	DESCRIPTION	QTY.
38	001.50.00044	SWITCH PANEL INOX V50	1
39	003.00.00609	USER INTERFACE 7 SEGM. DISPLAY VERSION	1
40	003.50.00026	FILM FOR A500 (LCD)	1
41	002.00.00090	GALV. NUT M3	4



ITEM CODE: 003.50.00027	ITEM DESCRIPTION: CONTROL PANEL COMPLETE A500	
MODEL CODE: 004.50.00023	PAGE: 05	REVISION: 01

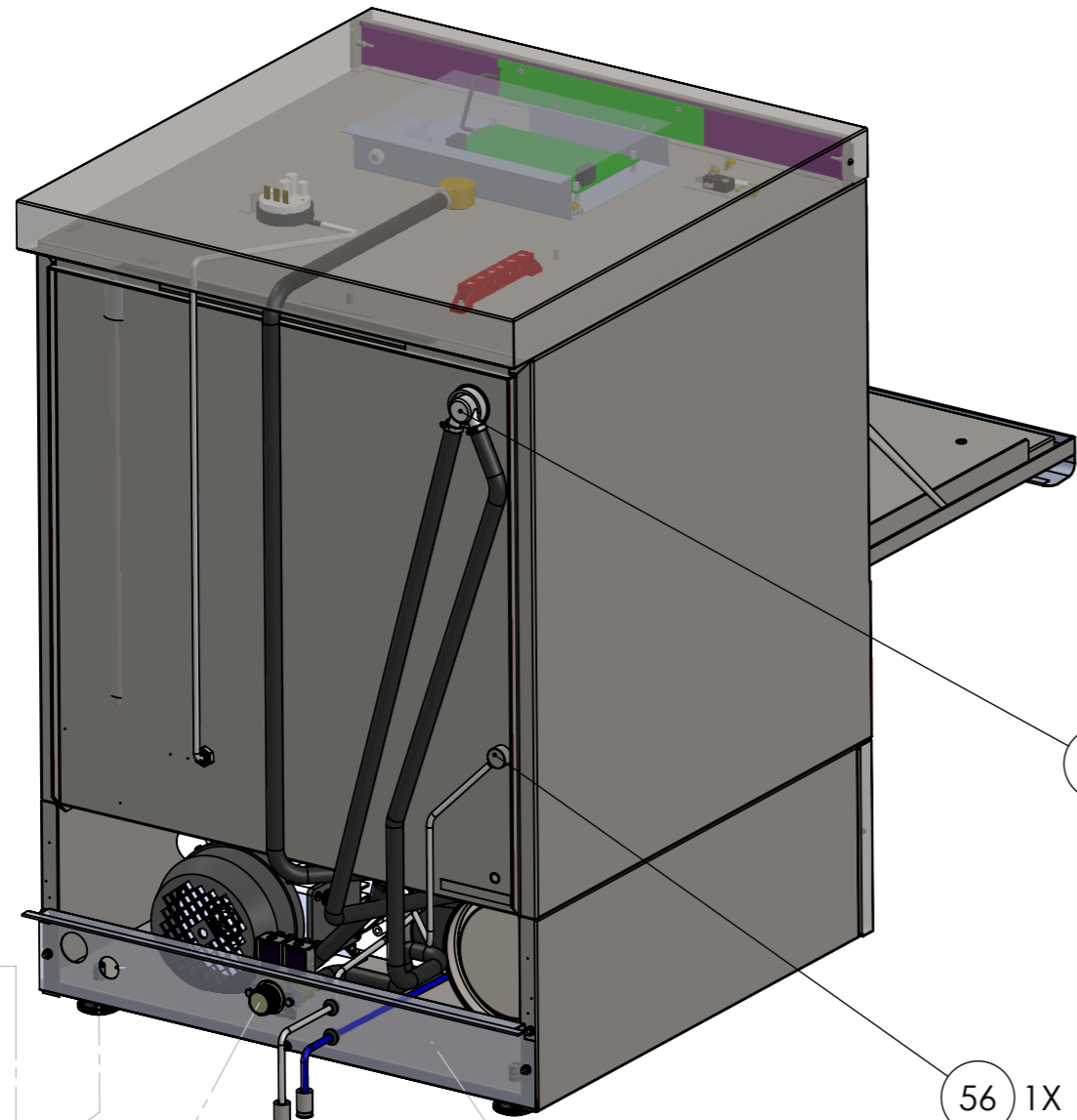
SERIES DESCRIPTION: DISHWASHER	MODEL DESCRIPTION: 500	MODEL VERSION: 220-240V 1~N 50/60 Hz
-----------------------------------	---------------------------	---

ITEM NO.	PART NUMBER	DESCRIPTION	QTY.
42	001.50.00083	BOARD BASE INOX A500	1
43	003.00.00625	ELECTROMAGNETIC FILTER 250V 50/60Hz 10A 40oC	1
44	003.00.00630	SPACER PCB RC-12 PLASTIC	4
45	003.00.00607	ATLAS MAIN BOARD VERSION	1
46	003.50.00037	COVER PP FOR PANEL A500	1
47	003.00.00610-1	ATLAS CONNECTION CABLE 500mm	1

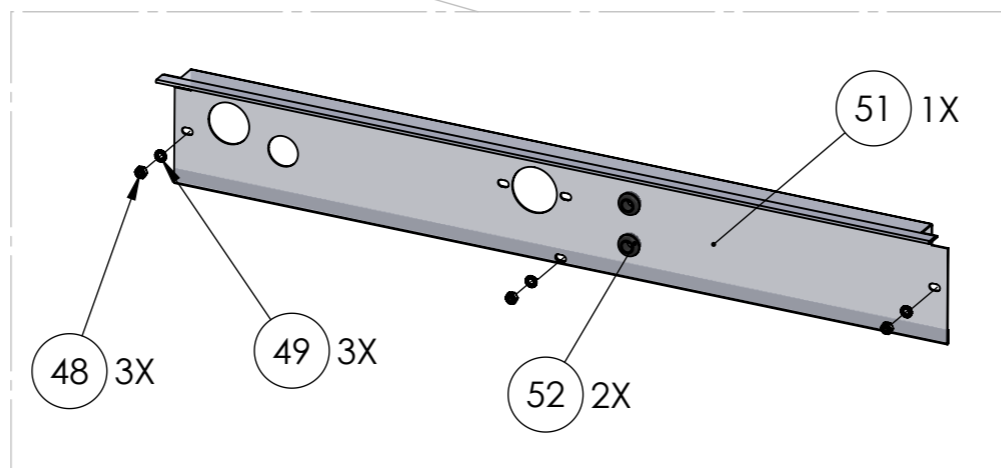
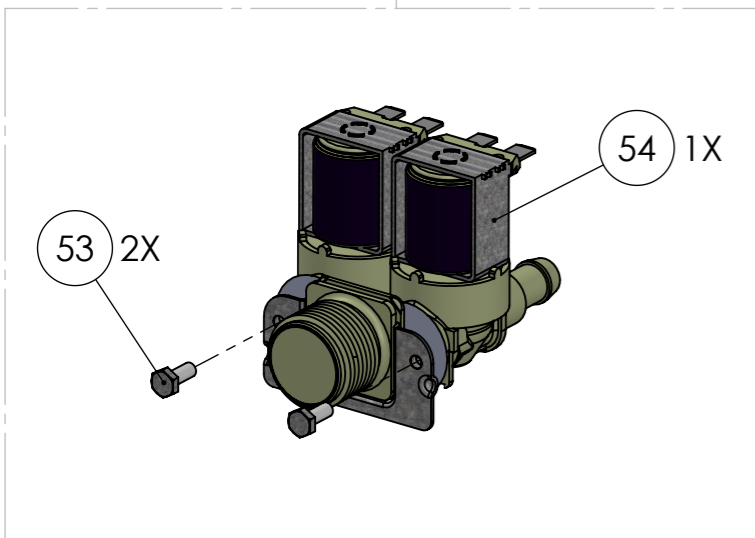
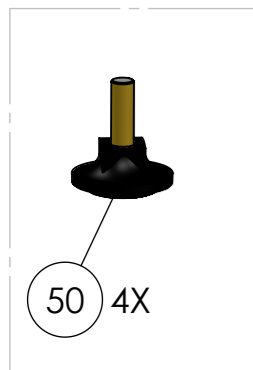


ITEM CODE: 003.50.00036	ITEM DESCRIPTION: BOARD PANEL COMPLETE A500	
MODEL CODE: 004.50.00023	PAGE: 06	REVISION: 01

SERIES DESCRIPTION: DISHWASHER	MODEL DESCRIPTION: 500	MODEL VERSION: 220-240V 1~N 50/60 Hz
-----------------------------------	---------------------------	---



ITEM NO.	PART NUMBER	DESCRIPTION	QTY.
48	002.00.00095	INOX NUT M4	3
49	002.00.00140	LOCK WASHER INOX Φ4	3
50	001.00.00016	SMALL BLACK FOOT M10	4
51	001.50.00072	INOX LOWER BACK COVER V500	1
52	003.00.00025	CABLE RUBBER PROTECTOR	2
53	003.00.00278	GALV. BOLT M4X10	2
54	003.00.00151	Water Input Valve Double	1
55	003.00.00269	NON RETURN VALVE (DVGW)	1
56	002.00.00233	DETERGENT TANK INJECTOR	1



SERIES DESCRIPTION:
DISHWASHER

MODEL DESCRIPTION:
500

MODEL VERSION:
220-240V 1~N 50/60 Hz

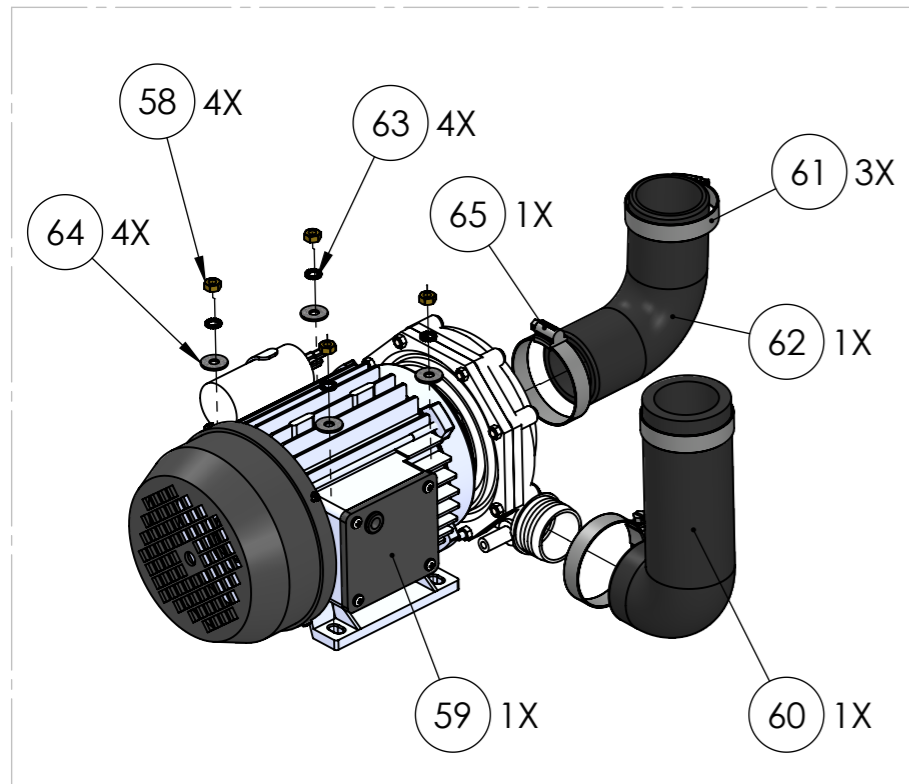
ITEM CODE:

ITEM DESCRIPTION:

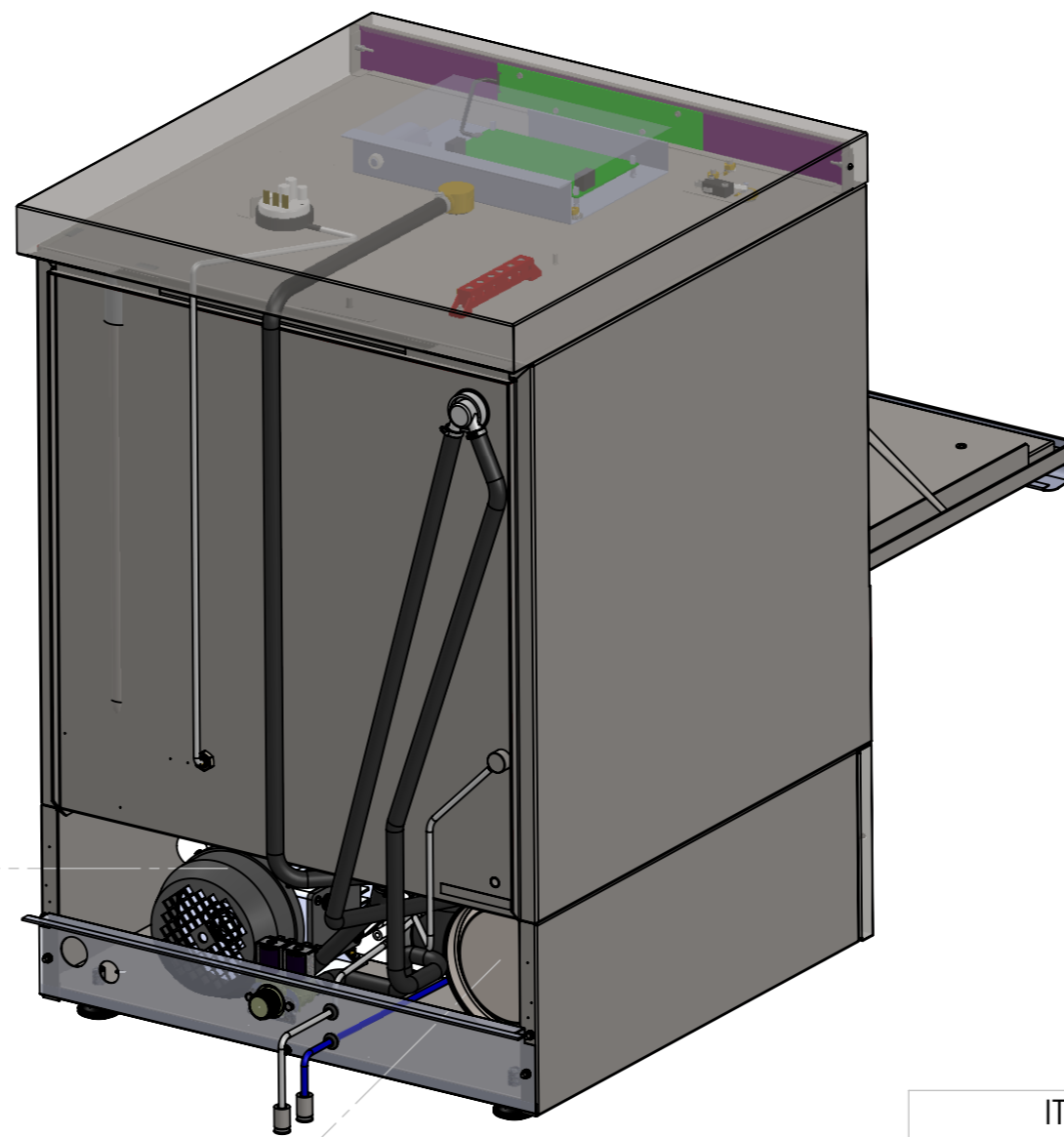
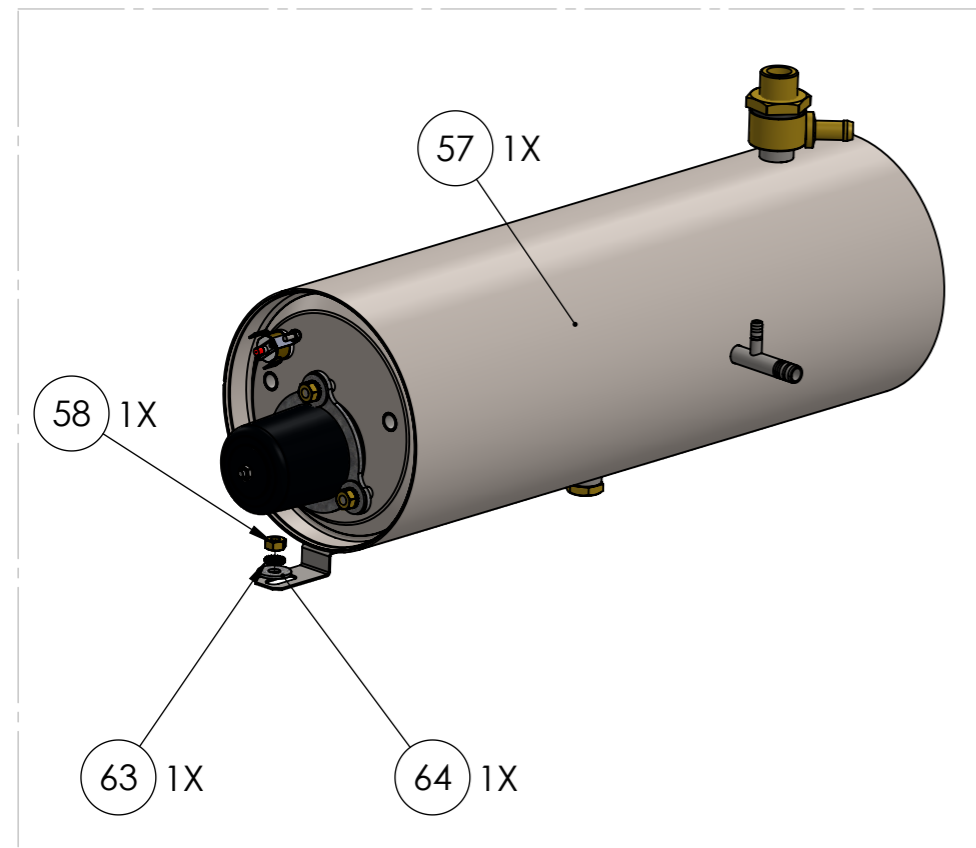
MODEL CODE:
004.50.00023

PAGE:
07

REVISION:
01



ITEM NO.	PART NUMBER	DESCRIPTION	QTY.
57	006.50.00001	BOILER COMPLETE WITH HEATER ELEM. V500	1
58	003.00.00041	NUT M6 GALVANISED	5
59	003.00.00350	PUMP 0,75Hp 50Hz 230V IP44	1
60	002.50.00032-1	WASH PUMP HOSE (OUTLET)	1
61	002.00.00050	CLAMP 40-60	3
62	002.00.00127-1	WASH PUMP HOSE (INPUT)	1
63	001.00.00204	GALVANIZED LOCK WASHER 6,4x11x0,7	5
64	003.00.00516	WASHER STEEL Ø6X18	5
65	002.00.00049	CLAMP 35-50	1



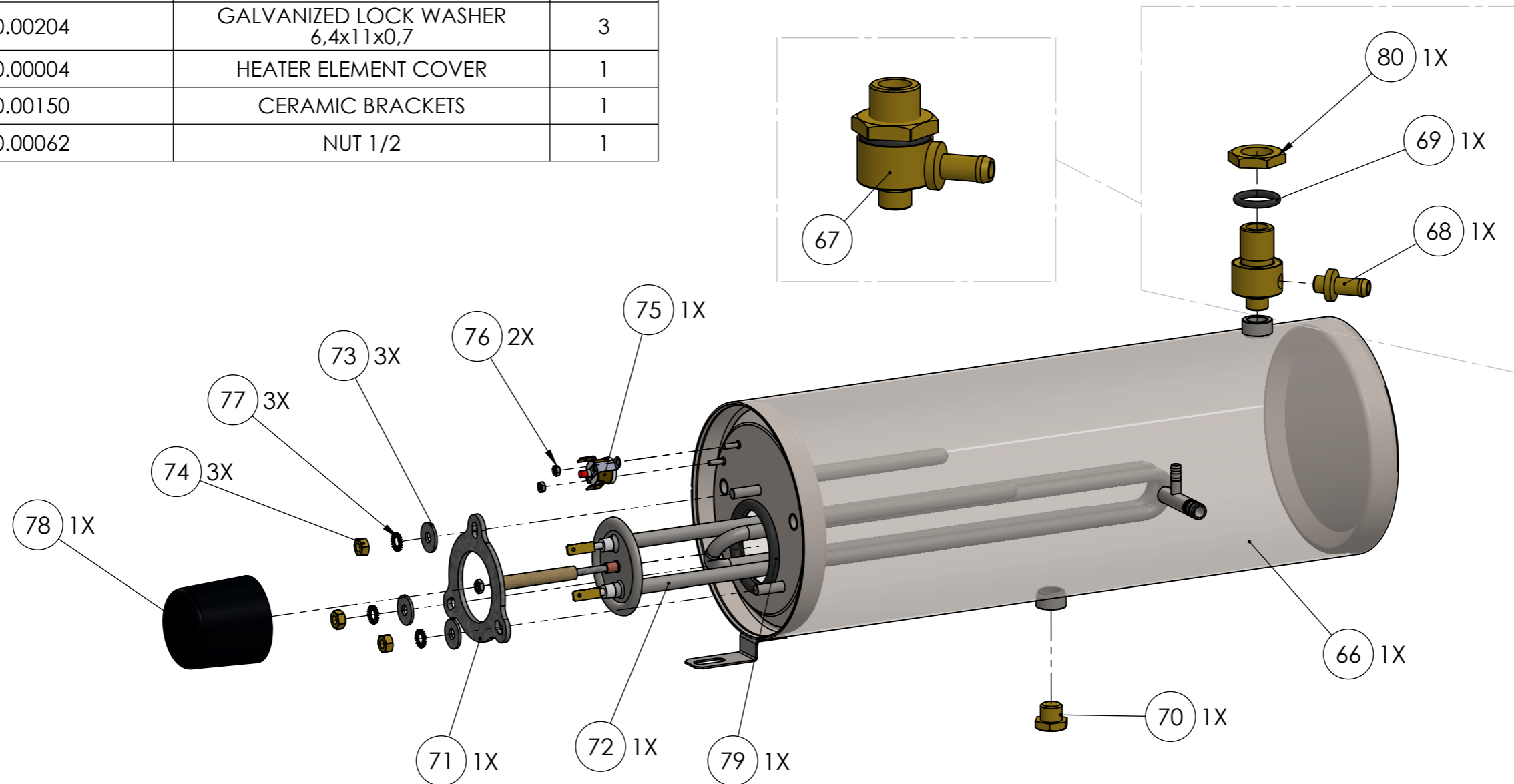
ITEM CODE:	ITEM DESCRIPTION:
MODEL CODE: 004.50.00023	PAGE: 08
	REVISION: 01

SERIES DESCRIPTION:
DISHWASHER

MODEL DESCRIPTION:
500

MODEL VERSION:
220-240V 1~N 50/60 Hz

ITEM NO.	PART NUMBER	DESCRIPTION	QTY.
66	001.50.00017	BOILER V500 Φ 140X400	1
67	002.50.00001	OUTLET BASE BOILER V500	1
68	002.00.00001	FITTINGS 1/4X10	1
69	002.00.00097	O-RING 20X4	1
70	002.00.00076	BOILER DRAIN THREADED CAP	1
71	003.00.00260	BOILER ELEMENT FITTING BASE	1
72	003.50.00005	HEATER ELEM. BOILER 3kW / 230V / V-K	1
73	003.00.00516	WASHER STEEL Φ 6X18	3
74	003.00.00041	NUT M6 GALVANISED	3
75	003.00.00180	BOILER THERMOFUSE 105oC	1
76	002.00.00090	GALV. NUT M3	2
77	001.00.00204	GALVANIZED LOCK WASHER 6,4x11x0,7	3
78	003.00.00004	HEATER ELEMENT COVER	1
79	002.00.00150	CERAMIC BRACKETS	1
80	002.00.00062	NUT 1/2	1



SERIES DESCRIPTION:
DISHWASHER

MODEL DESCRIPTION:
500

MODEL VERSION:
220-240V 1~N 50/60 Hz

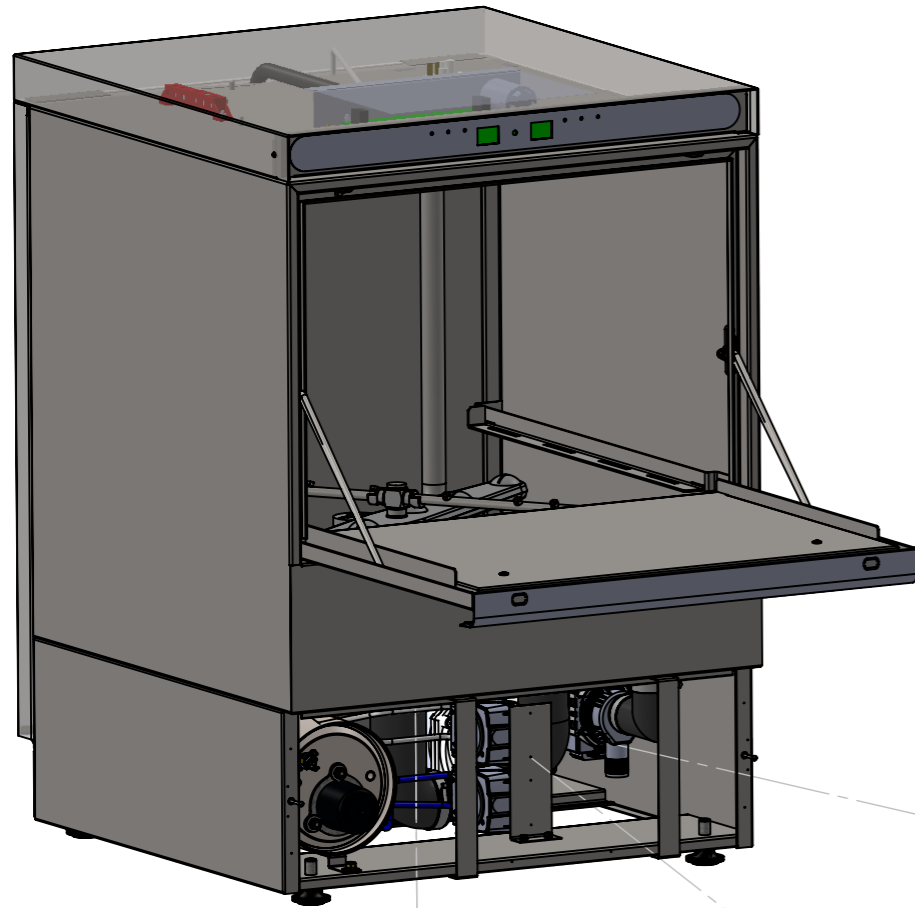
ITEM CODE:
006.50.00001

MODEL CODE:
004.50.00023

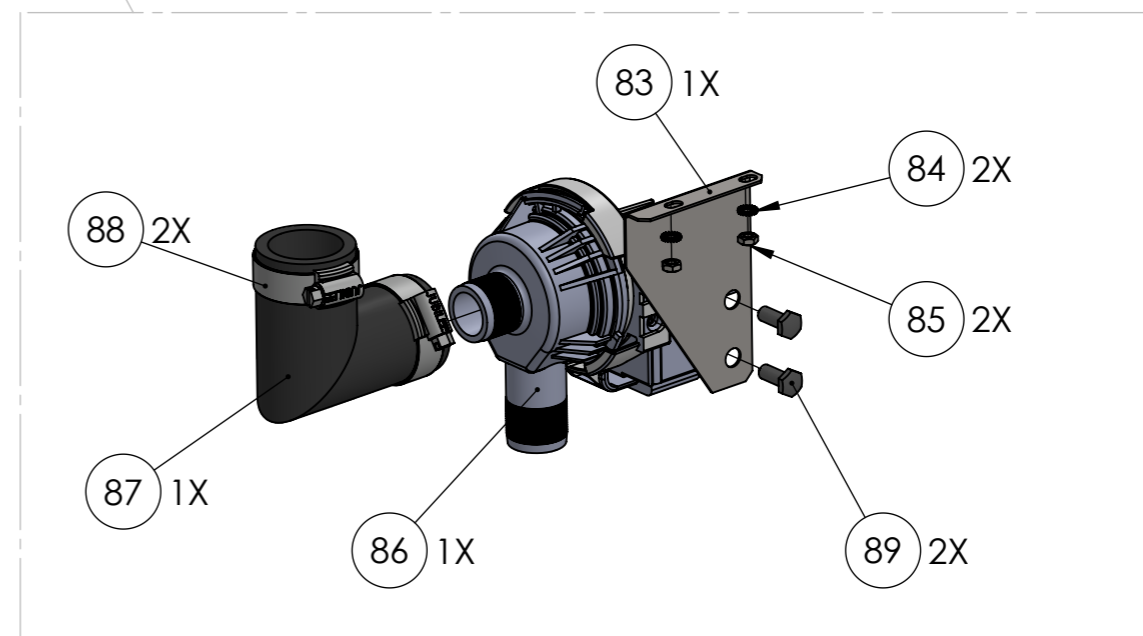
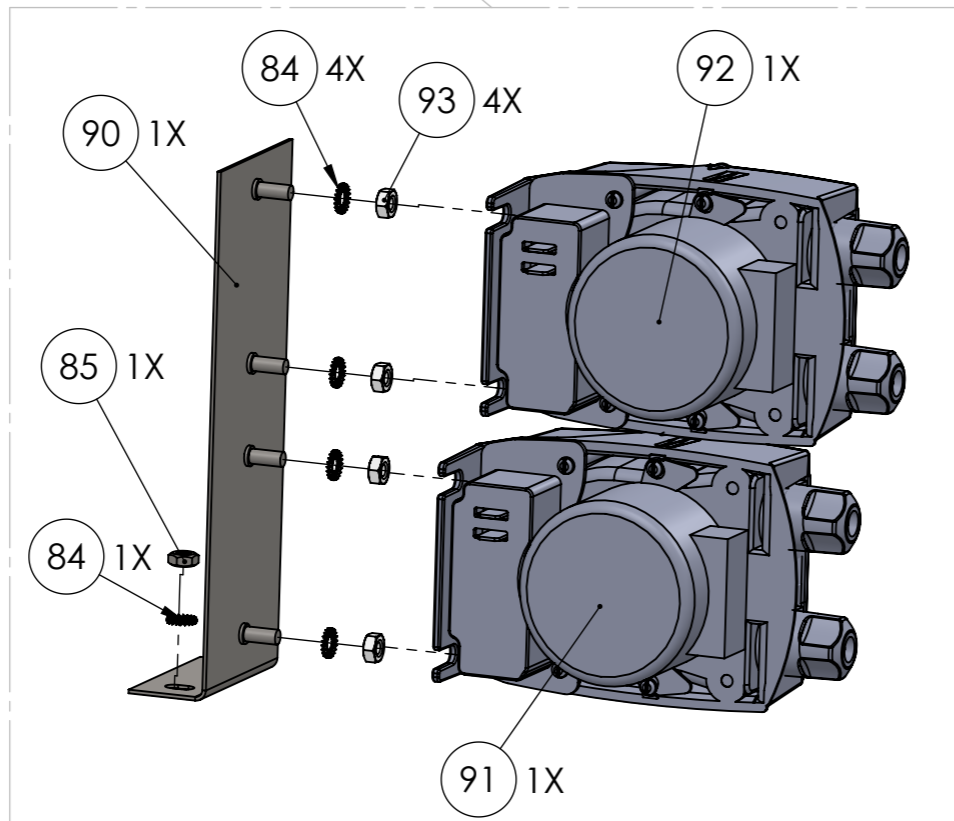
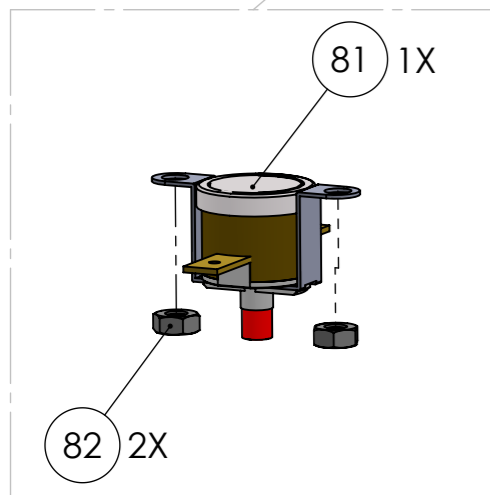
ITEM DESCRIPTION:
BOILER COMPLETE WITH
HEATER ELEM. V500

PAGE:
09

REVISION:
01



ITEM NO.	PART NUMBER	DESCRIPTION	QTY.
81	003.00.00168	THERMOFUSE TANK 90C	1
82	002.00.00090	GALV. NUT M3	2
83	001.50.00065	INOX BASE FOR DRAINING PUMP V500	1
84	002.00.00140	LOCK WASHER INOX Φ4	8
85	003.00.00046	NUT M4 (GALV)	4
86	003.00.00184	TANK DRAINING PUMP 230V / 65W	1
87	002.50.00014	DRAINING PUMP INLET PIPE V500	1
88	002.00.00048	CLAMP 25-40	2
89	003.00.00485	M6 GALVANISED BOLT	2
90	001.50.00078	BRACKET FOR TWO PERISTALTIC PUMPS V500	1
91	003.00.00433	PERISTALTIC RINSE AID PUMP G302 / 230V	1
92	003.00.00429	PERISTALTIC DETERGENT PUMP G300 / 230V	1
93	002.00.00095	INOX NUT M4	4



SERIES DESCRIPTION:
DISHWASHER

MODEL DESCRIPTION:
500

MODEL VERSION:
220-240V 1~N 50/60 Hz

ITEM CODE:

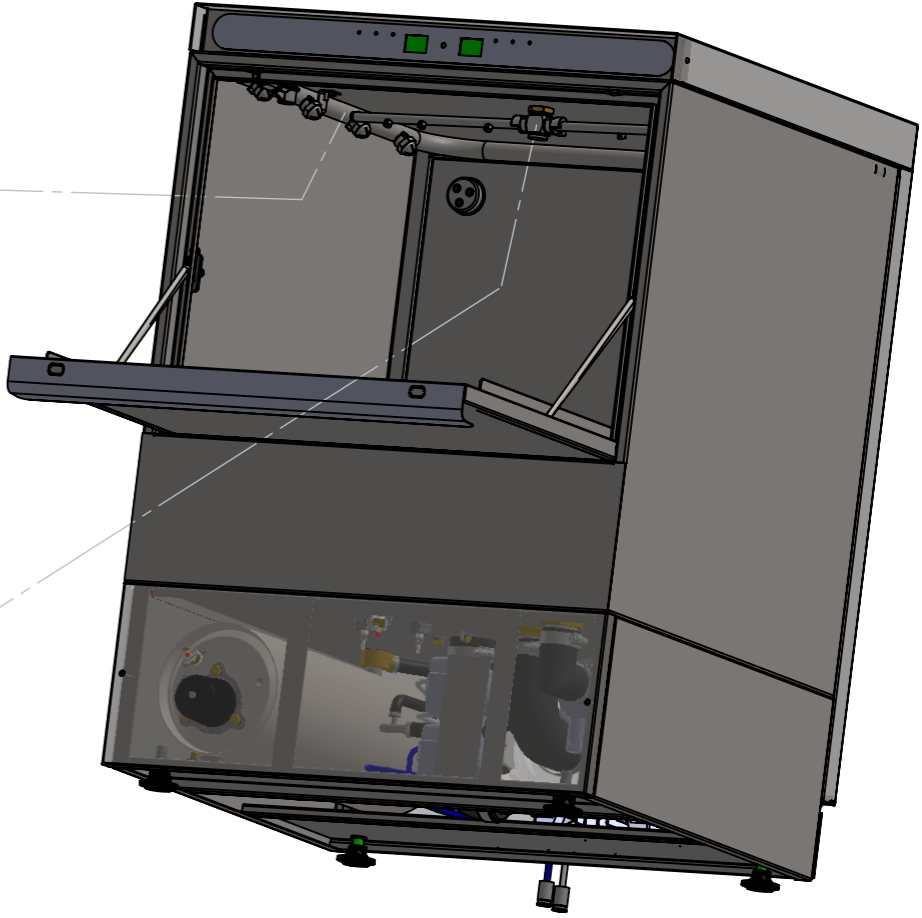
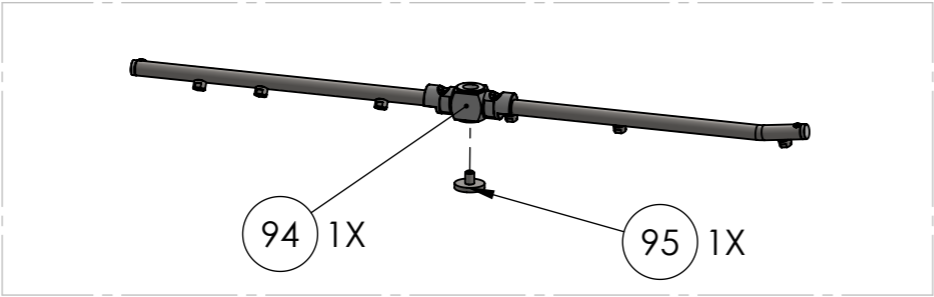
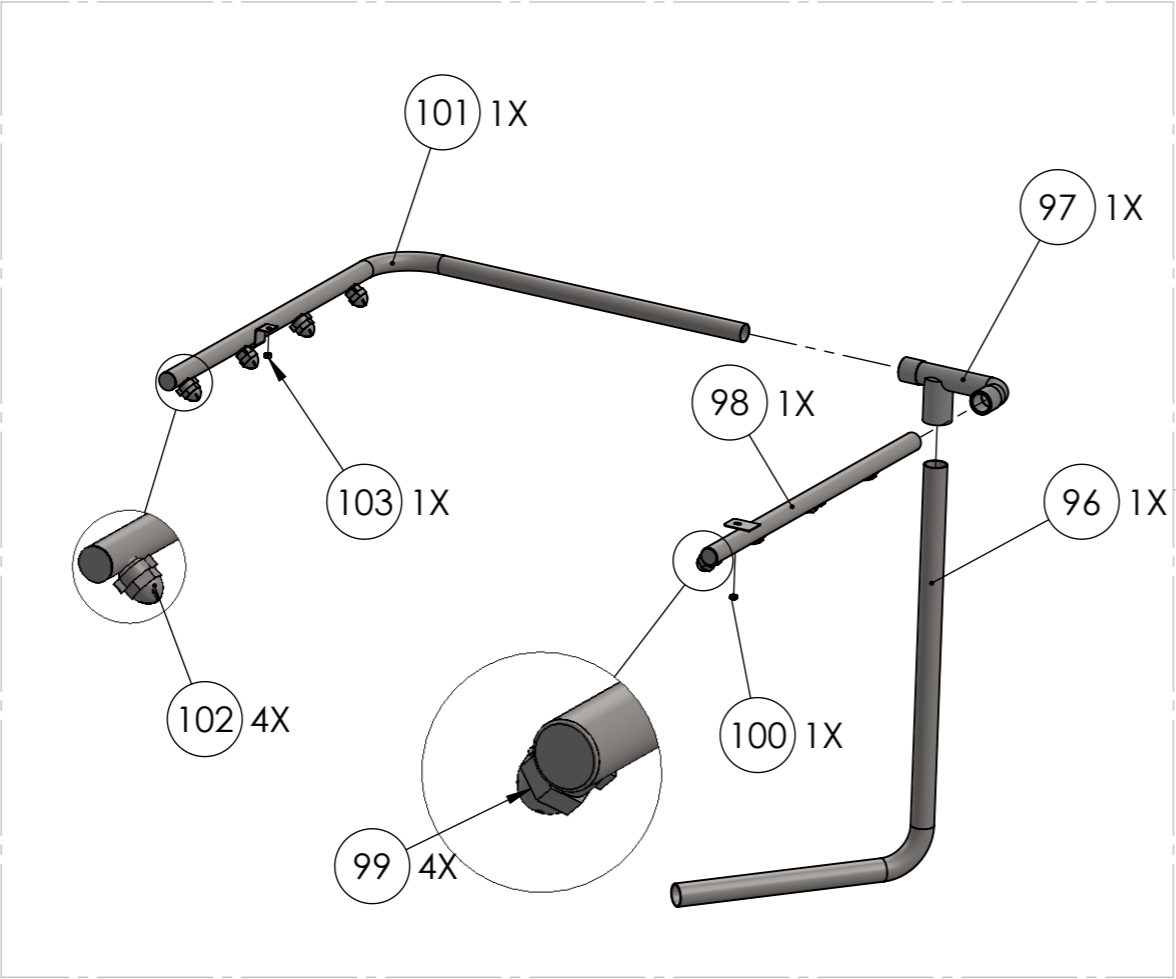
ITEM DESCRIPTION:

MODEL CODE:
004.50.00023

PAGE:
10

REVISION:
01

ITEM NO.	PART NUMBER	DESCRIPTION	QTY.
94	002.50.00026	RINSING ARM UP OR DOWN V-K	1
95	002.50.00004	LOCK NUT FOR RINSING ARM	1
96	002.50.00018	WASHING UPPER SYSTEM INOX SUPPLY PIPE	1
97	002.50.00017	CONNECTOR WASHING SYSTEM PLASTIC	1
98	002.50.00020	WASHING UPPER SYSTEM INOX UP-RIGHT	1
99	002.50.00030	SPRAYER FOR UPPER WASH ARMS	4
100	002.00.00095	INOX NUT M4	1
101	002.50.00019	WASHING UPPER SYSTEM INOX UP-LEFT	1
102	002.50.00030	SPRAYER FOR UPPER WASH ARMS	4
103	002.00.00095	INOX NUT M4	1



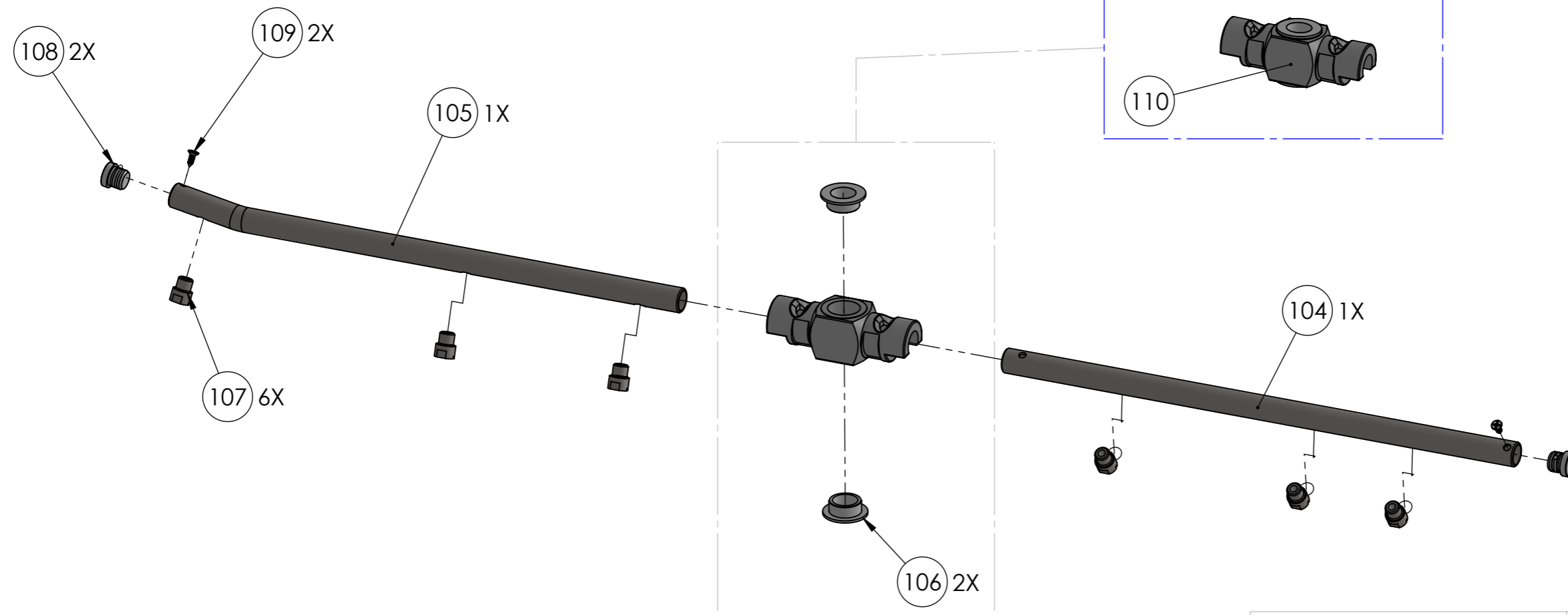
ITEM CODE:	ITEM DESCRIPTION:
MODEL CODE: 004.50.00023	PAGE: 11
	REVISION: 01

SERIES DESCRIPTION:
DISHWASHER

MODEL DESCRIPTION:
500

MODEL VERSION:
220-240V 1~N 50/60 Hz

ITEM NO.	PART NUMBER	DESCRIPTION	QTY.
104	002.50.00005 (B)	RINSING ARM SINGLE - B	1
105	002.50.00005 (A)	RINSING ARM - A	1
106	002.00.00230	TEFLON Φ 18X6	2
107	002.11.00008	SPRAYER FOR RINSING ARM BL,EU,VE,KN,1500	6
108	002.00.00277	CAP FOR RINSE ARMS	2
109	001.00.00073	INOX SCREW 2,9 X 10	2
110	002.50.00025	PLASTIC BASE FOR RINSING ARMS	1



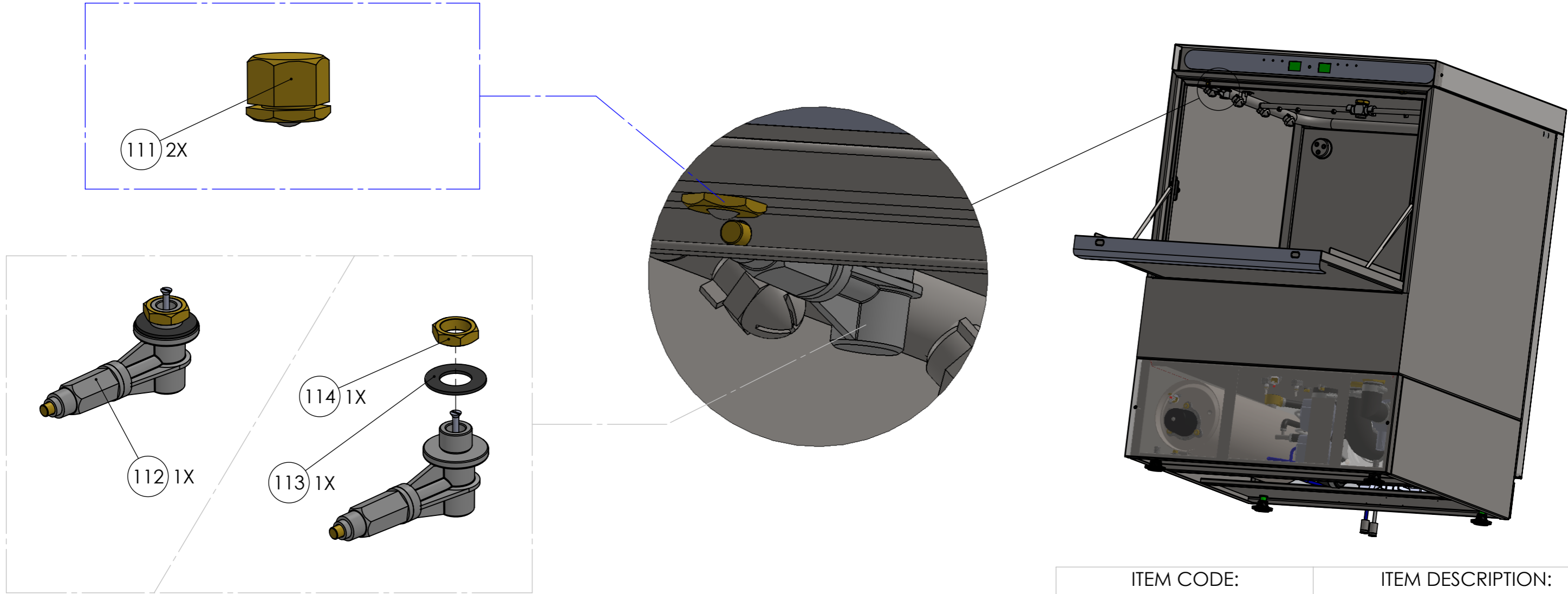
ITEM CODE:	ITEM DESCRIPTION:
MODEL CODE: 004.50.00023	PAGE: 12
MODEL VERSION: 220-240V 1~N 50/60 Hz	REVISION: 01

SERIES DESCRIPTION:
DISHWASHER

MODEL DESCRIPTION:
500

MODEL VERSION:
220-240V 1~N 50/60 Hz

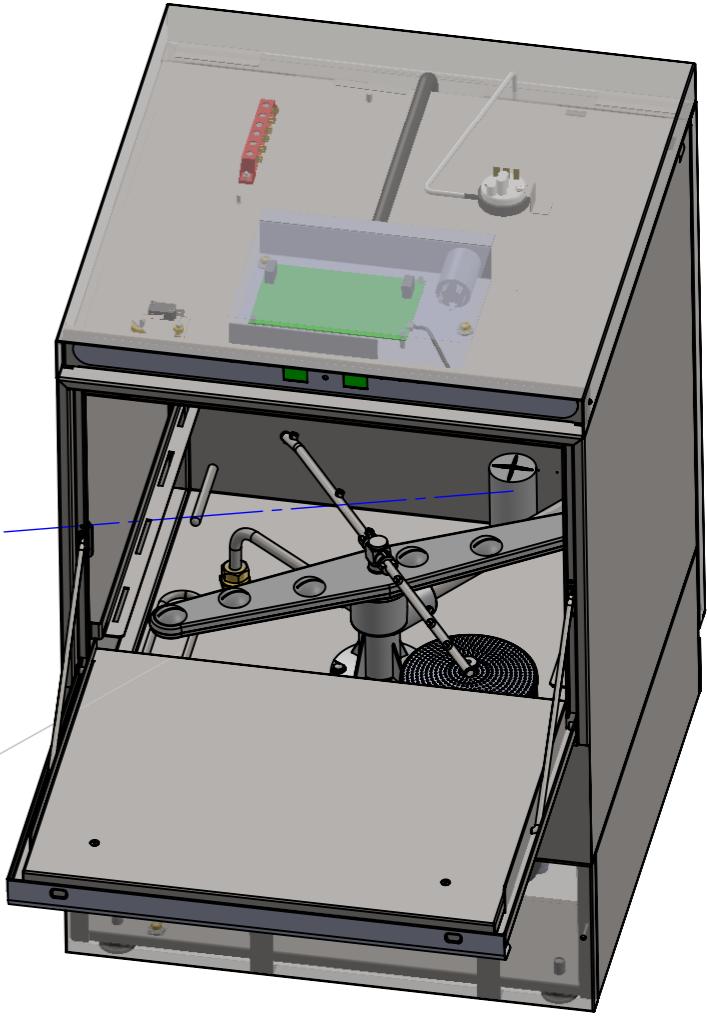
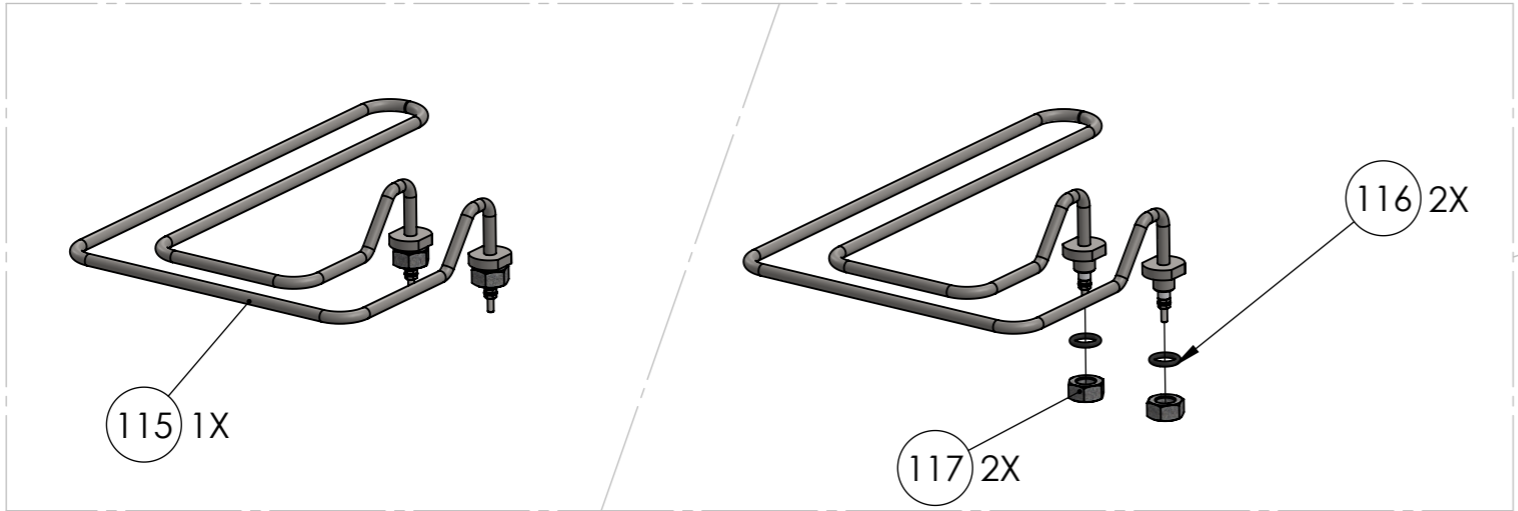
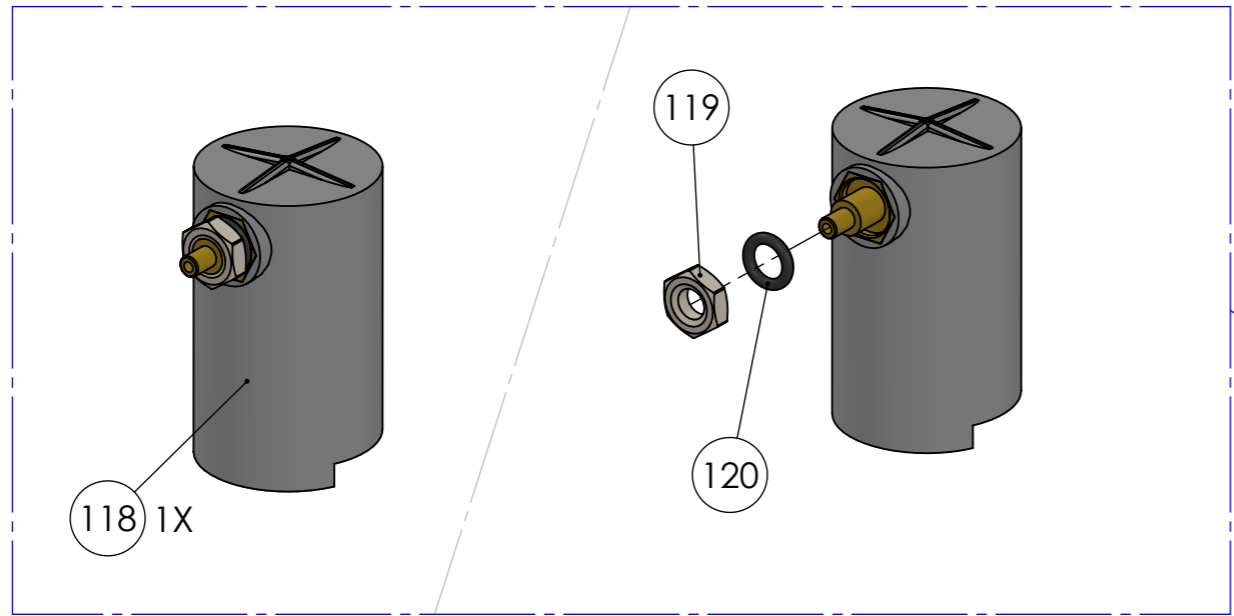
ITEM NO.	PART NUMBER	DESCRIPTION	QTY.
111	001.00.00051	DOOR SNAP SET	2
112	003.00.00231	DOOR SWITCH MECH. PART	1
113	003.00.00489	RUBBER GASKET 16X30X3	1
114	003.00.00071	NUT FOR DOOR SWITCH	1



ITEM CODE:	ITEM DESCRIPTION:
MODEL CODE: 004.50.00023	PAGE: 13
	REVISION: 01

SERIES DESCRIPTION: DISHWASHER	MODEL DESCRIPTION: 500	MODEL VERSION: 220-240V 1~N 50/60 Hz
-----------------------------------	---------------------------	---

ITEM NO.	PART NUMBER	DESCRIPTION	QTY.
115	003.50.00008	HEATER ELEMENT TANK 2,8 kW / 230V	1
116	002.00.00100	O-RING 14X3.5	2
117	003.00.00074	NUT 14 (GALV.)	2
118	003.00.00014	PRESSOSTAT CHAMBER	1
119	002.00.00087	NUT M10	1
120	002.00.00091	ORING 3X10,5	1



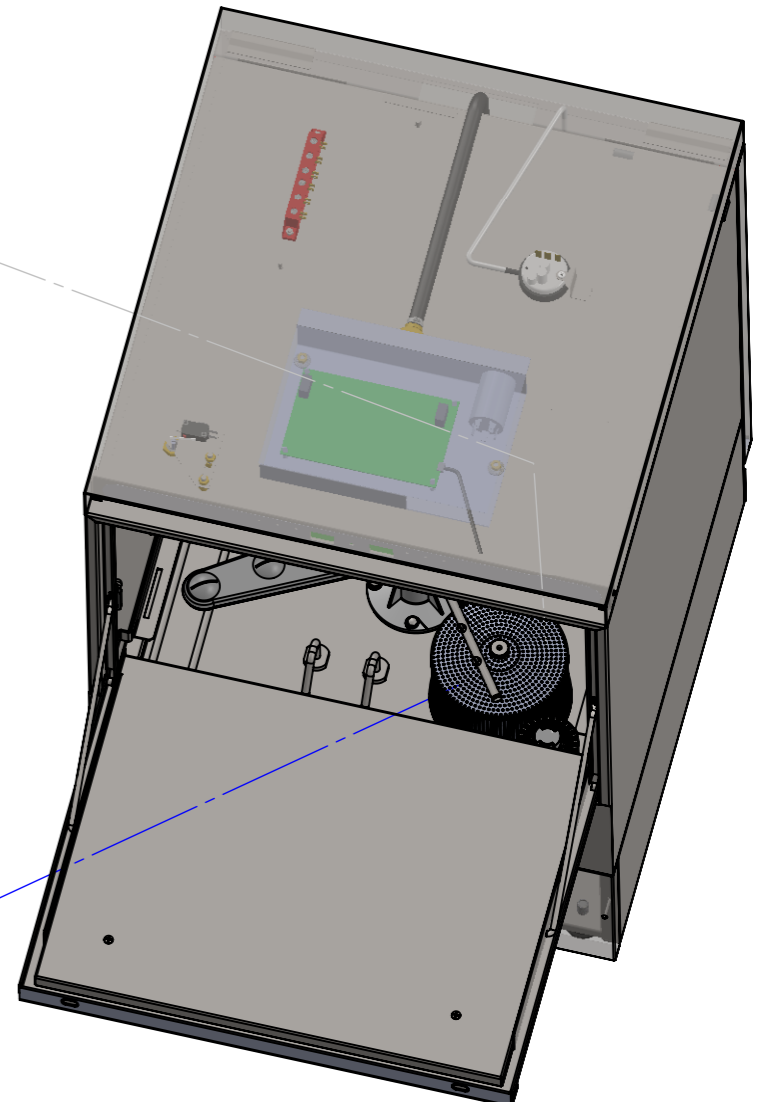
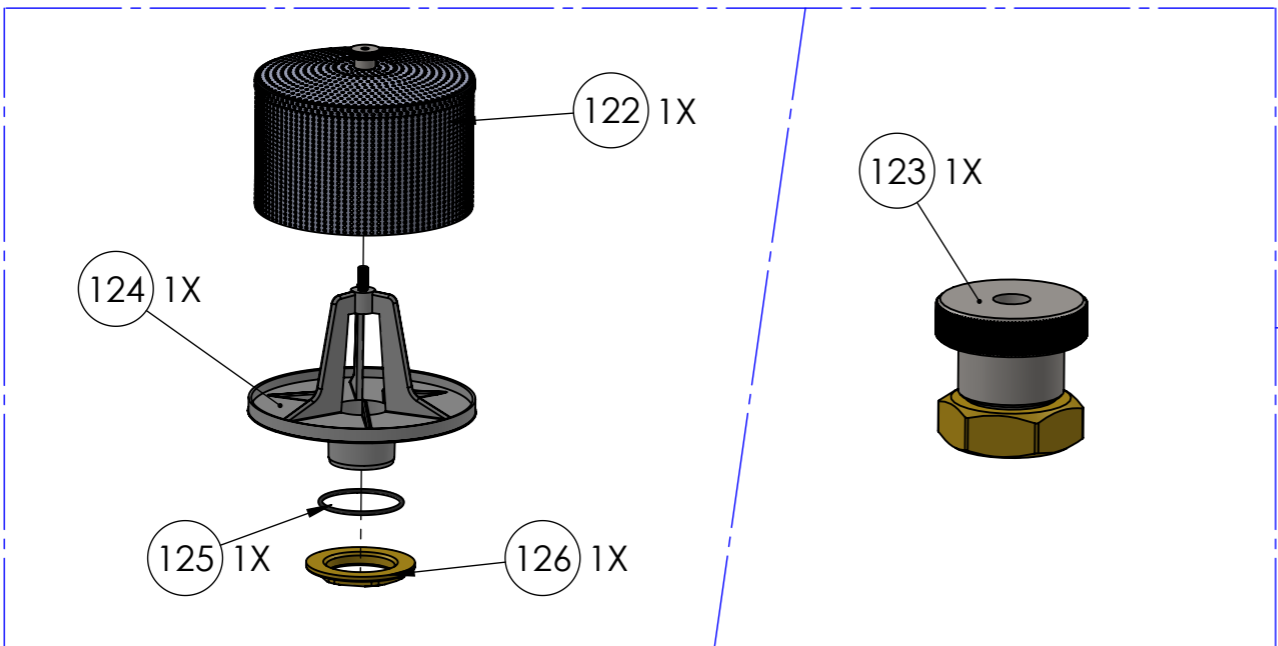
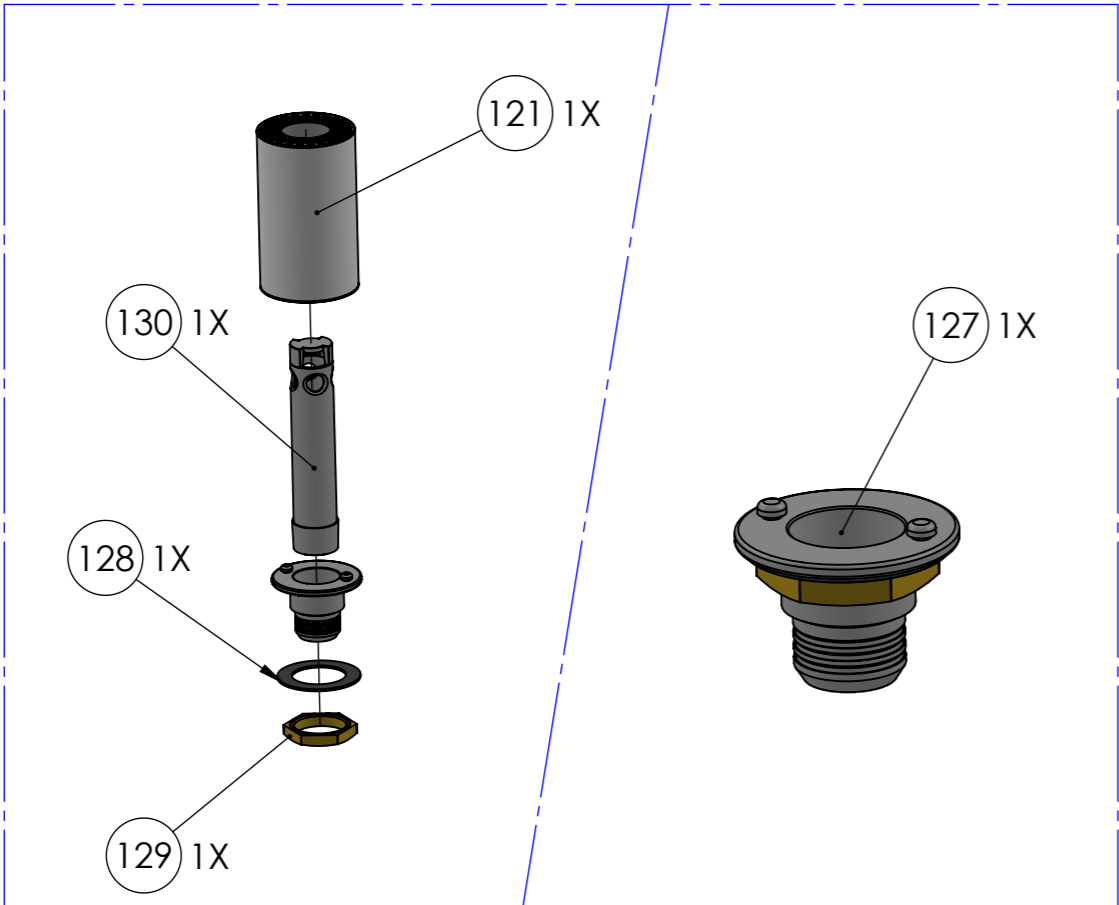
ITEM CODE:	ITEM DESCRIPTION:
MODEL CODE:	PAGE:
004.50.00023	14
	REVISION:
	01

SERIES DESCRIPTION:
DISHWASHER

MODEL DESCRIPTION:
500

MODEL VERSION:
220-240V 1~N 50/60 Hz

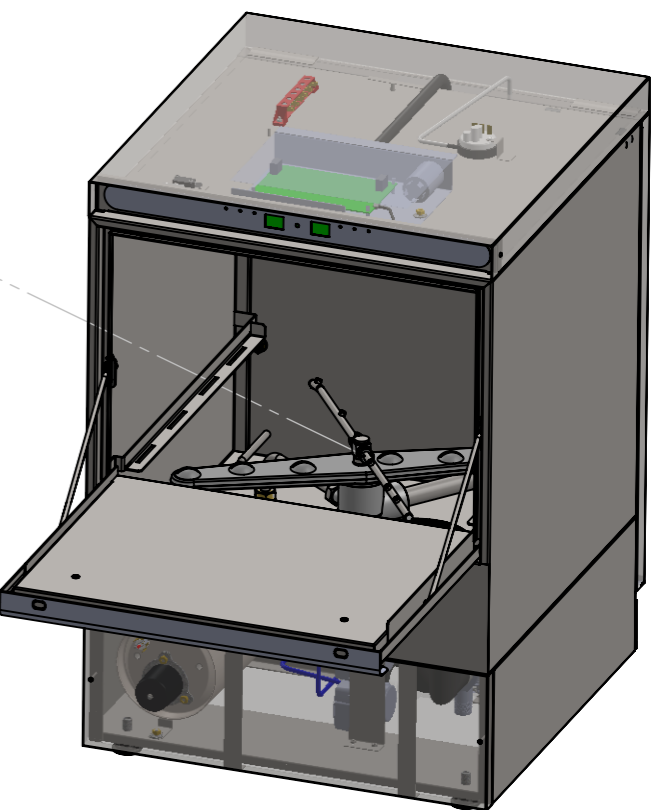
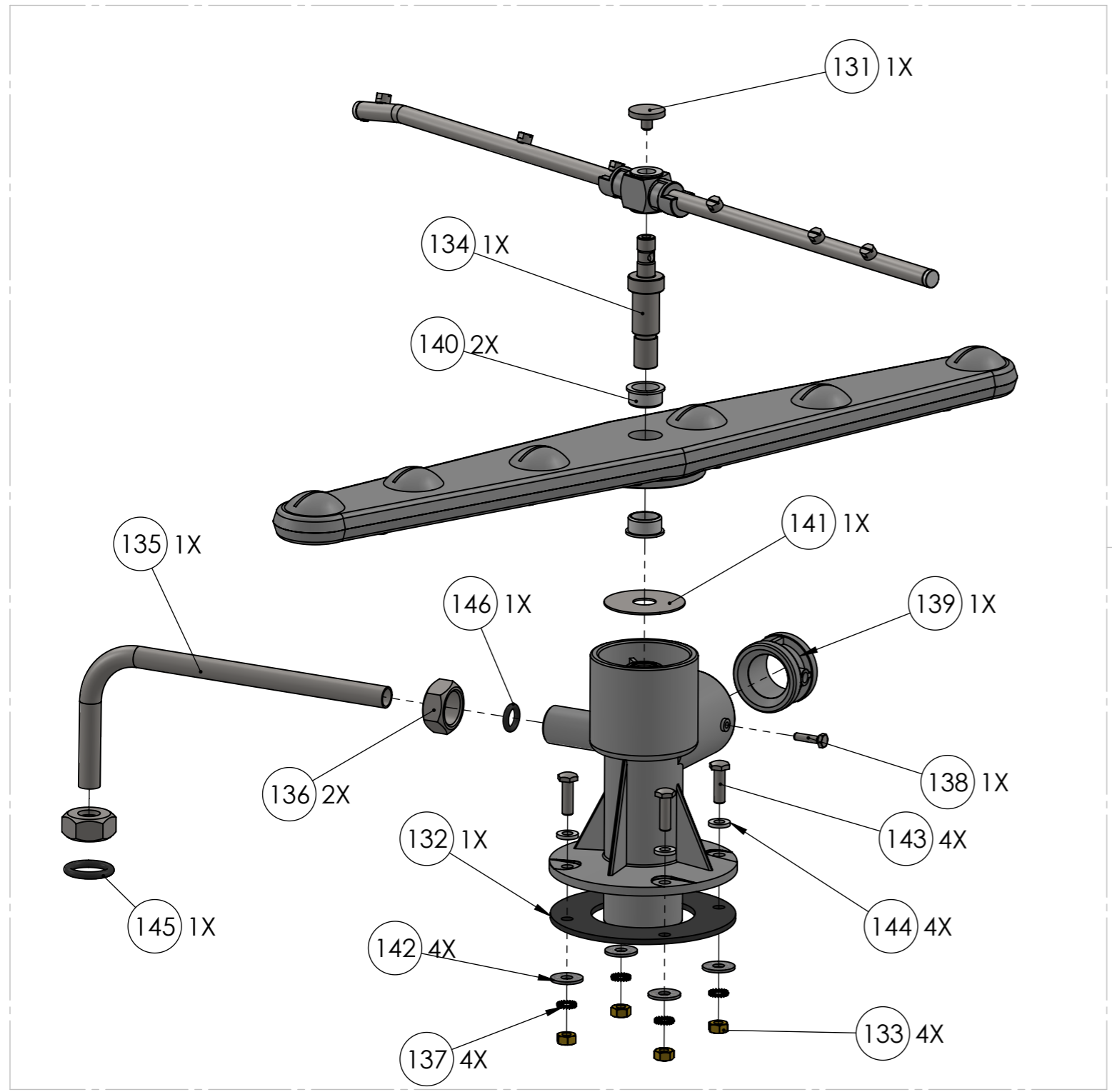
ITEM NO.	PART NUMBER	DESCRIPTION	QTY.
121	001.50.00040	DRAIN PUMP FILTER V500	1
122	001.70.00000	FILTER IN THE TANK FOR THE PUMP V-KN	1
123	001.00.00017	FILTER RETAINING NUT	1
124	002.00.00081	PLASTIC BASE FOR TANK FILTER V-K	1
125	002.00.00093	ORING 52X2,5	1
126	002.00.00037	NUT 1 1/2"	1
127	002.00.00257	DRAIN & OVERFLOW VALVE PLASTIC BASE	1
128	002.00.00238	RUBBER GASKET 35X55X1	1
129	002.00.00133	BRONZE NUT M36	1
130	002.50.00037	DRAIN AND OVERFLOW VALVE PLASTIC PART NEW V-K	1



ITEM CODE:	ITEM DESCRIPTION:
MODEL CODE: 004.50.00023	PAGE: 15
	REVISION: 01

SERIES DESCRIPTION: DISHWASHER	MODEL DESCRIPTION: 500	MODEL VERSION: 220-240V 1~N 50/60 Hz
-----------------------------------	---------------------------	---

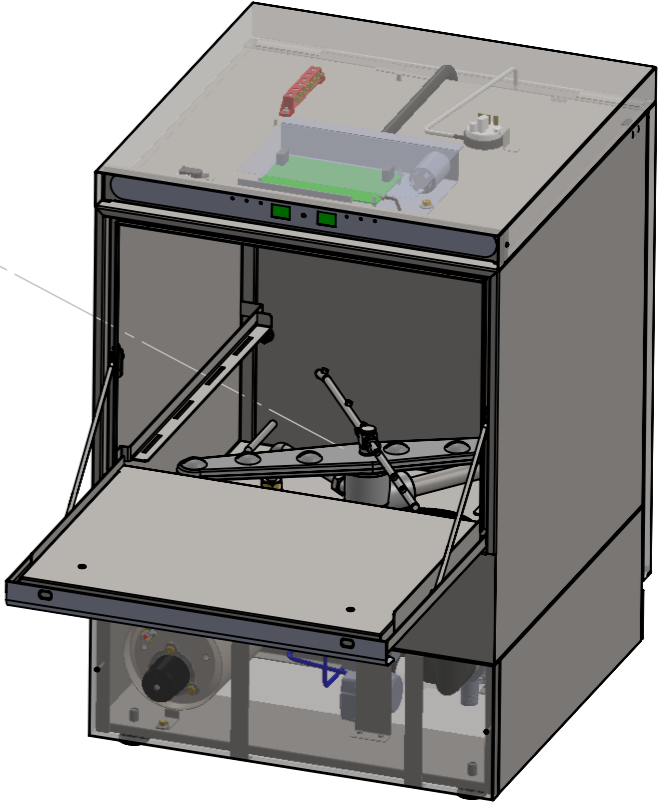
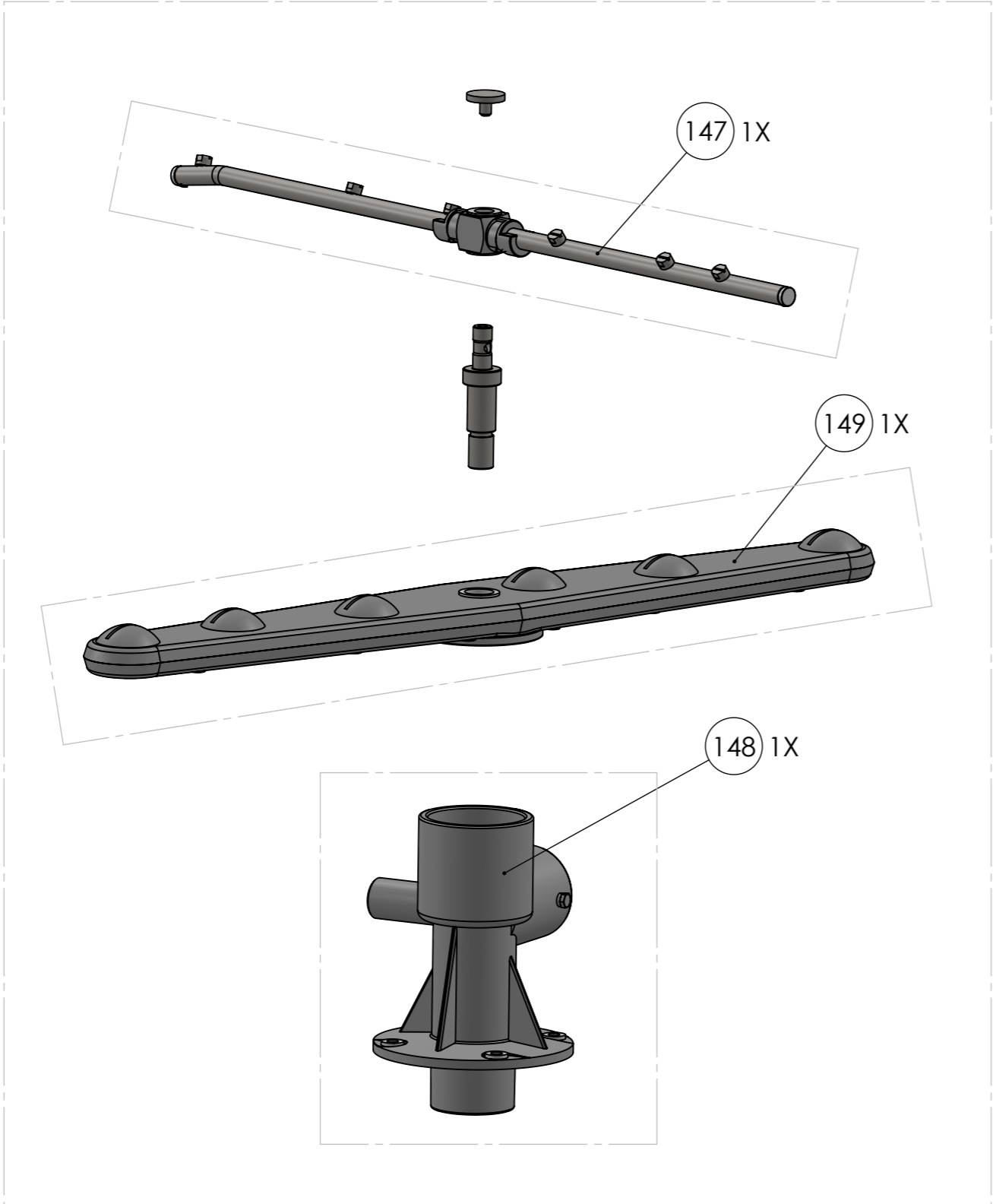
ITEM NO.	PART NUMBER	DESCRIPTION	QTY.
131	002.50.00004	LOCK NUT FOR RINSING ARM	1
132	002.00.00105	RUBBER GASKET 103X58X3	1
133	003.00.00041	NUT M6 GALVANISED	4
134	002.11.00002	AXLE INOX FOR BASE DOWN V500	1
135	002.50.00022	RINSE PIPE INOX V-K	1
136	002.00.00144	RINSE PIPE RETAINING NUT	2
137	001.00.00204	GALVANIZED LOCK WASHER 6,4x11x0,7	4
138	003.00.00106	INOX HEX BOLT M4X15	1
139	002.50.00024	ADAPTOR Φ 40-25 FOR WASH BASE	1
140	002.00.00229	TEFLON Φ 23X10	2
141	002.50.00016	FLOW CONTROL DISK FOR BASE V-K	1
142	003.00.00516	WASHER STEEL Φ 6X18	4
143	003.00.00104	INOX HEX BOLT M6X20	4
144	002.00.00169	TEFLON 12-6-2	4
145	002.00.00071	O-RING 20X4	1
146	002.00.00091	ORING 3X10,5	1



ITEM CODE:	ITEM DESCRIPTION:
MODEL CODE: 004.50.00023	PAGE: 16
	REVISION: 01

SERIES DESCRIPTION: DISHWASHER	MODEL DESCRIPTION: 500	MODEL VERSION: 220-240V 1~N 50/60 Hz
-----------------------------------	---------------------------	---

ITEM NO.	PART NUMBER	DESCRIPTION	QTY.
147	002.50.00026	RINSING ARM UP OR DOWN V-K	1
148	002.50.00036	WASHING BASE DOWN V-K COMPLETE	1
149	002.50.00006	LOWER WASHING ARM V50	1

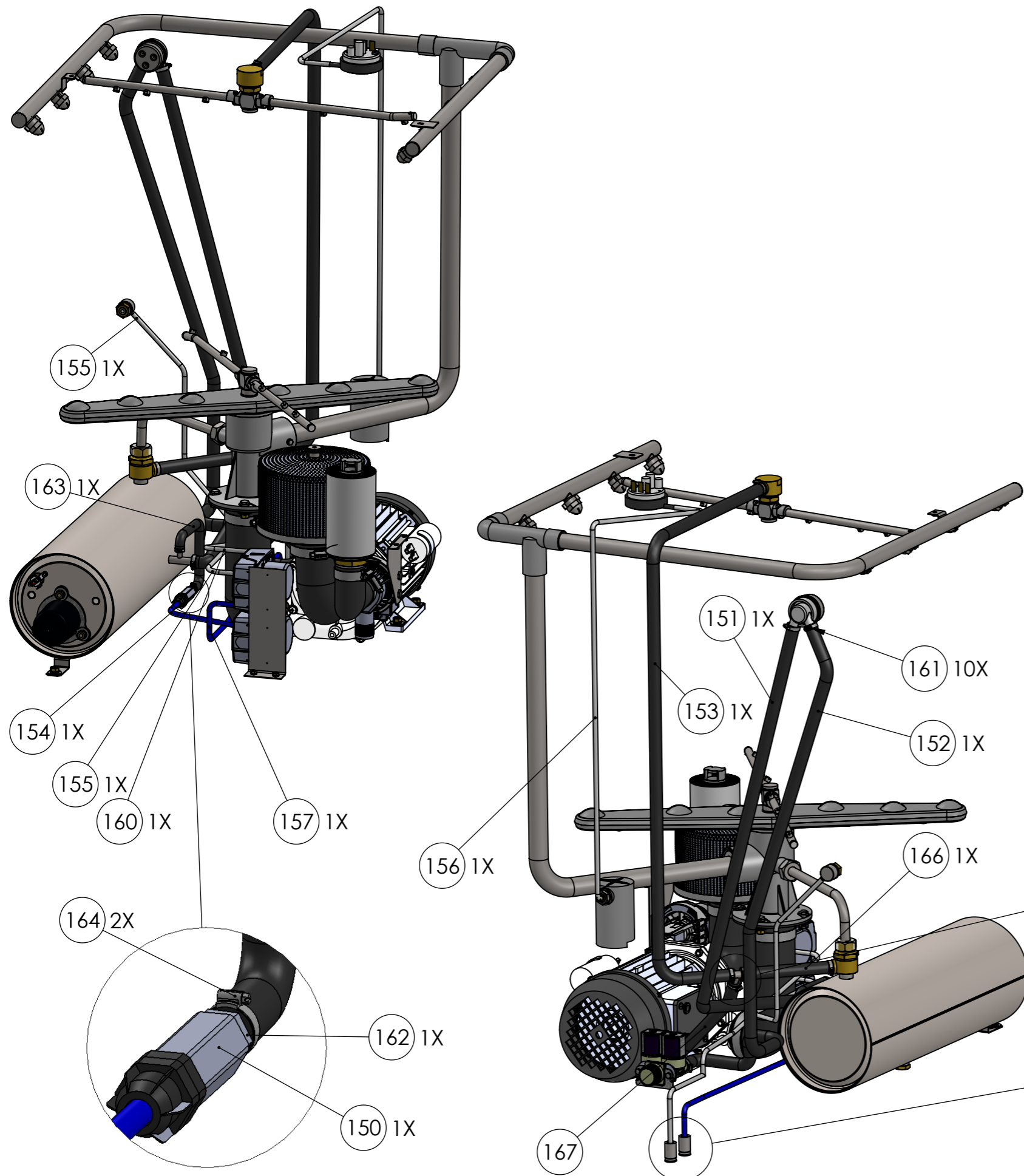


ITEM CODE:	ITEM DESCRIPTION:
MODEL CODE: 004.50.00023	PAGE: 17
	REVISION: 01

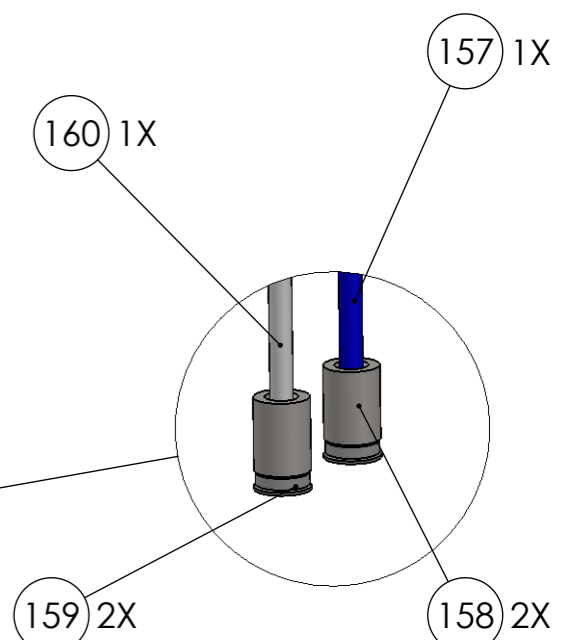
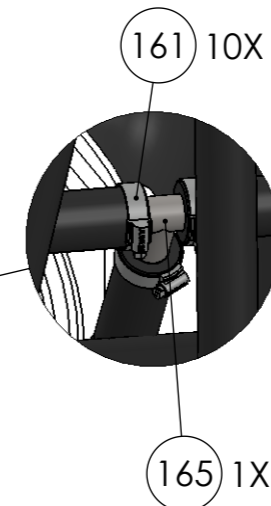
SERIES DESCRIPTION:
DISHWASHER

MODEL DESCRIPTION:
500

MODEL VERSION:
220-240V 1~N 50/60 Hz



ITEM NO.	PART NUMBER	DESCRIPTION	QTY.
150	002.00.00002	NON RETURN VALVE FOR RINSE AID PUMP	1
151	002.00.00119-14	WASHING MACHINE HOSE BLACK 10X16.5	1
152	002.00.00119-12	WASHING MACHINE HOSE BLACK 10X16.5	1
153	002.00.00119-15	WASHING MACHINE HOSE BLACK 10X16.5	1
154	003.00.00487-6	TUBE PVC BLUE 4X6	1
155	003.00.00140_9	TUBO CRISTALLO 4X6	1
156	003.00.00140_8	TUBO CRISTALLO 4X6	1
157	003.00.00487-5	TUBE PVC BLUE 4X6	1
158	002.00.00195	BALANCE F15X20	2
159	002.00.00242	FILTER PLASTIC FOR RINSE AID VALVE	2
160	003.00.00140_10	TUBO CRISTALLO 4X6	1
161	002.00.00052	CLAMP 10-16	10
162	002.00.00287	FITTINGS 1/8x7	1
163	002.00.00132-2	WASHING MACHINE HOSE BLACK 6X12	1
164	002.00.00231	CLAMP 8-12	2
165	002.51.00007	T-CONNECTION BOLIER KNOSSOS	1
166	002.00.00119-16	WASHING MACHINE HOSE BLACK 10X16.5	1
167	002.00.00119-17	WASHING MACHINE HOSE BLACK 10X16.5	1



SERIES DESCRIPTION:
DISHWASHER

MODEL DESCRIPTION:
500

MODEL VERSION:
220-240V 1~N 50/60 Hz

MODEL CODE:
004.50.00023

PAGE:
18

REVISION:
01

ITEM CODE:

ITEM DESCRIPTION: