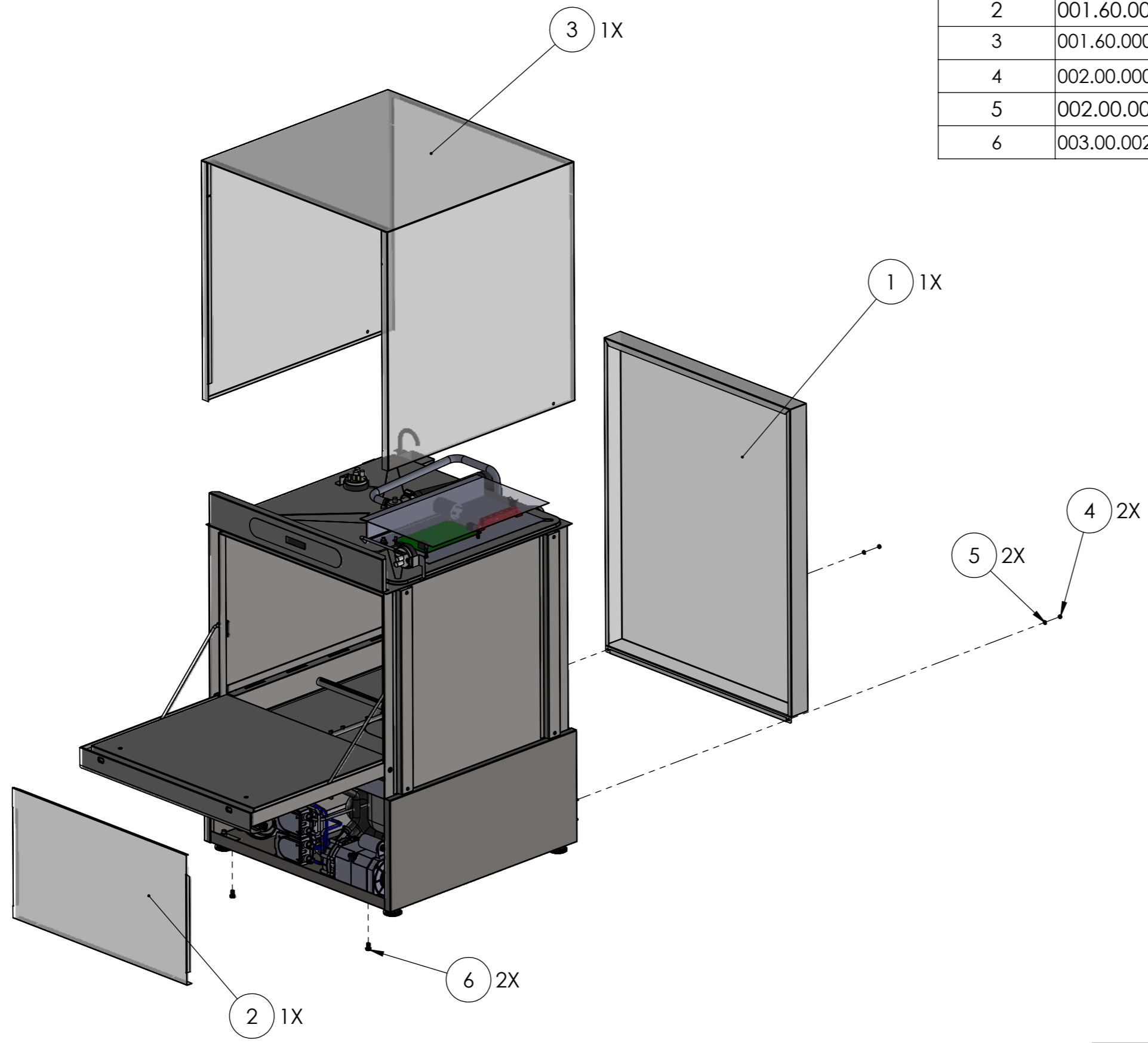


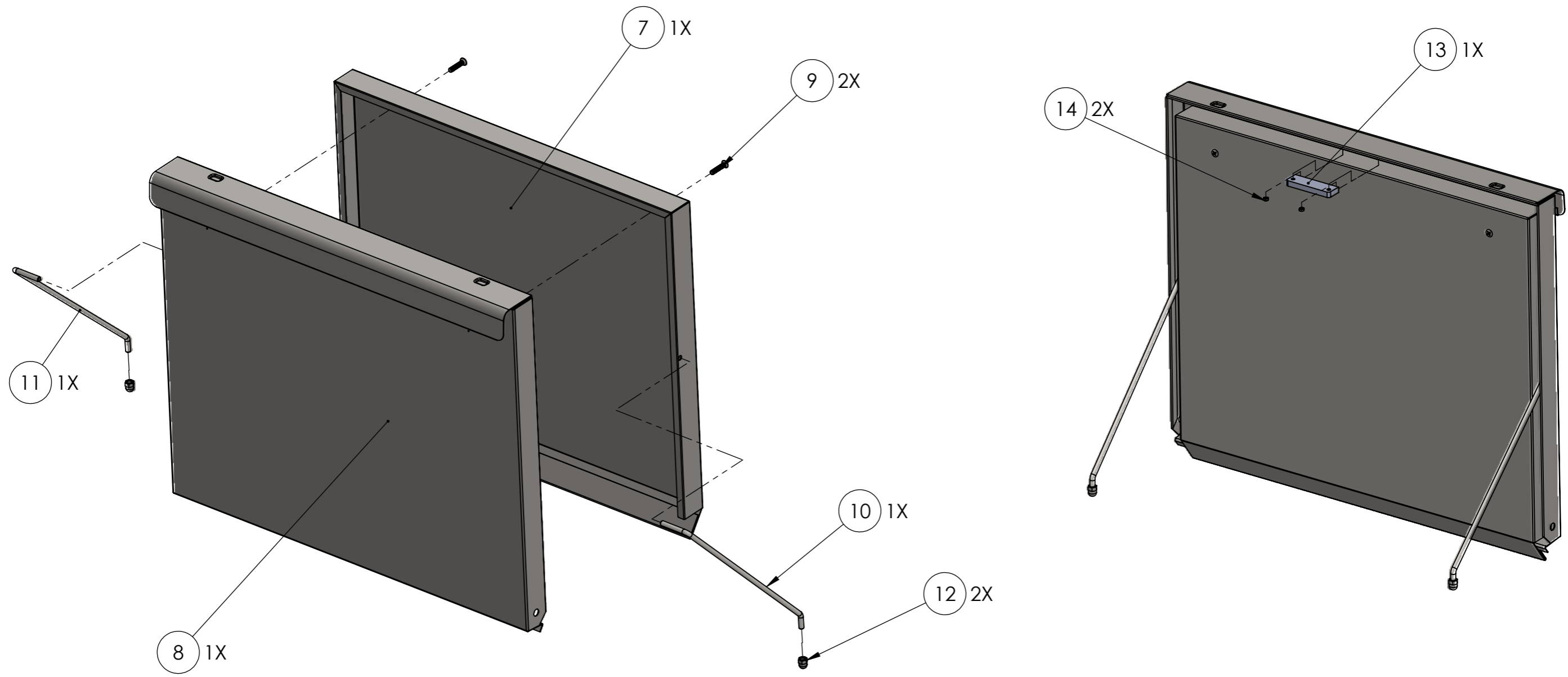
ITEM NO.	PART NUMBER	DESCRIPTION	QTY.
1	001.60.00017	Cover Back E600	1
2	001.60.00018	Cover Front E600	1
3	001.60.00016	Cover Upper-Side E600	1
4	002.00.00095	INOX NUT M4	2
5	002.00.00140	LOCK WASHER INOX Φ 4	2
6	003.00.00242	INOX HEX SCROU M6X12	2



ITEM CODE:	ITEM DESCRIPTION:
MODEL CODE: 004.60.00001	PAGE: 1
	REVISION: 0.0

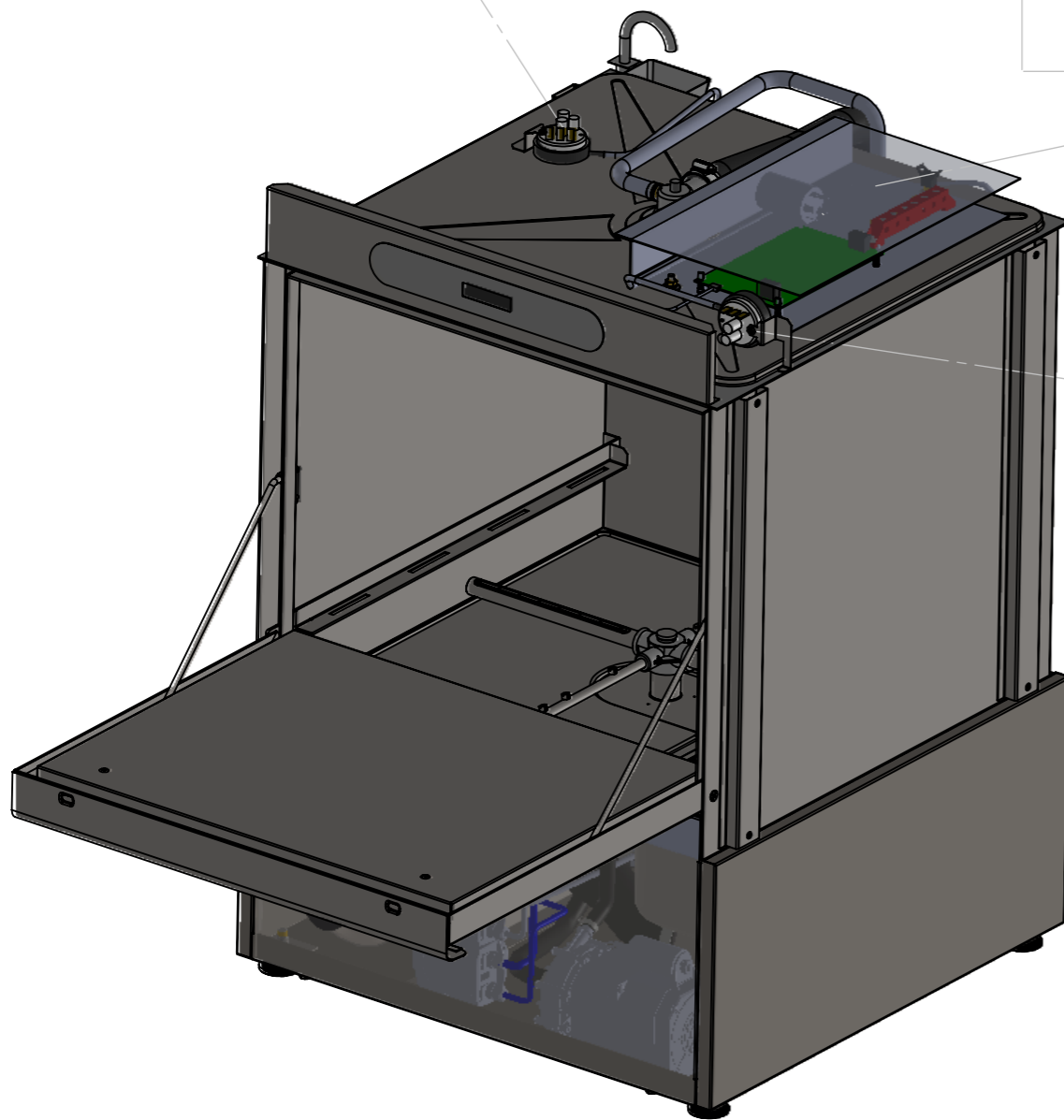
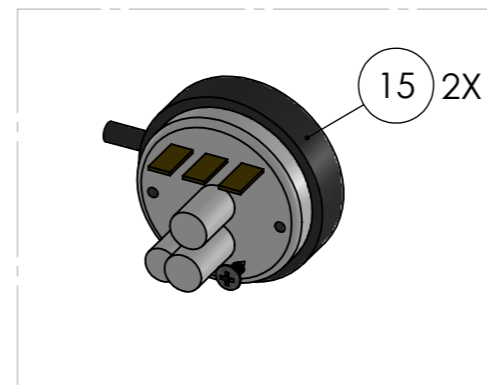
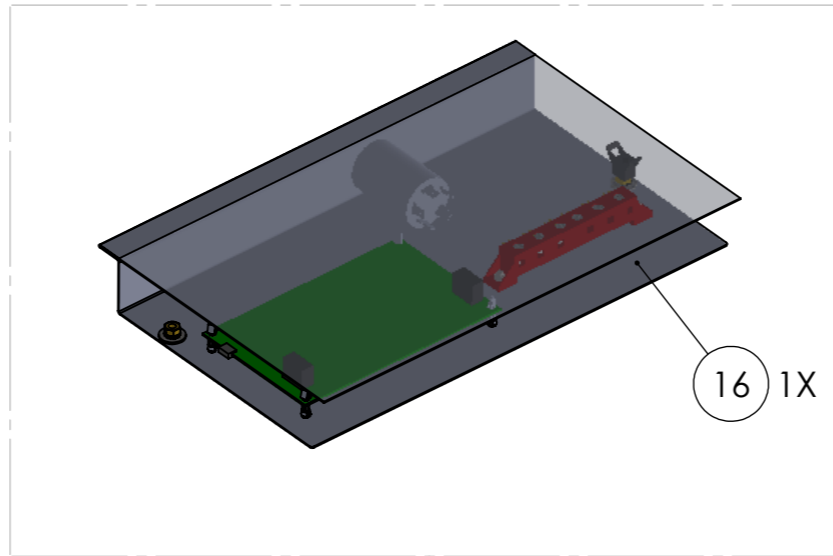
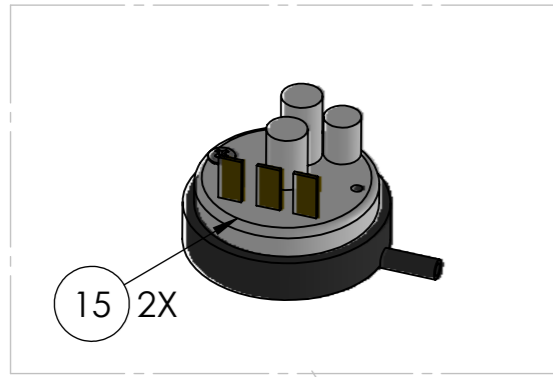
SERIES DESCRIPTION: DISH WASHER	MODEL DESCRIPTION: 600	MODEL VERSION: 230V ~N 50/60 Hz
------------------------------------	---------------------------	------------------------------------

ITEM NO.	PART NUMBER	DESCRIPTION	QTY.
7	001.60.00015	Back Part of The Door E600	1
8	001.60.00014	Front Part Of The Door E600	1
9	001.00.00097	INOX TAPPERD SCROU M5X25	2
10	001.00.00192	DOOR RIGHT SUPPORT AXLE M6X300	1
11	001.00.00192-M	DOOR LEFT SUPPORT AXLE M6X300	1
12	001.00.00110	DOMED CAP NUT M6	2
13	003.00.00597	Magnetic Unit	1
14	002.00.00285	GALV. NUT M3	2



ITEM CODE:	ITEM DESCRIPTION:
MODEL CODE: 004.60.00001	PAGE: 2
	REVISION: 0.0

SERIES DESCRIPTION: DISH WASHER	MODEL DESCRIPTION: 600	MODEL VERSION: 230V ~N 50/60 Hz
------------------------------------	---------------------------	------------------------------------



ITEM NO.	PART NUMBER	DESCRIPTION	QTY.
15	003.60.00003	PRESSOSTAT	2
16	003.60.00004	BOARD PANEL COMPLETE	1

ITEM CODE:

ITEM DESCRIPTION:

SERIES DESCRIPTION:
DISH WASHER

MODEL DESCRIPTION:
600

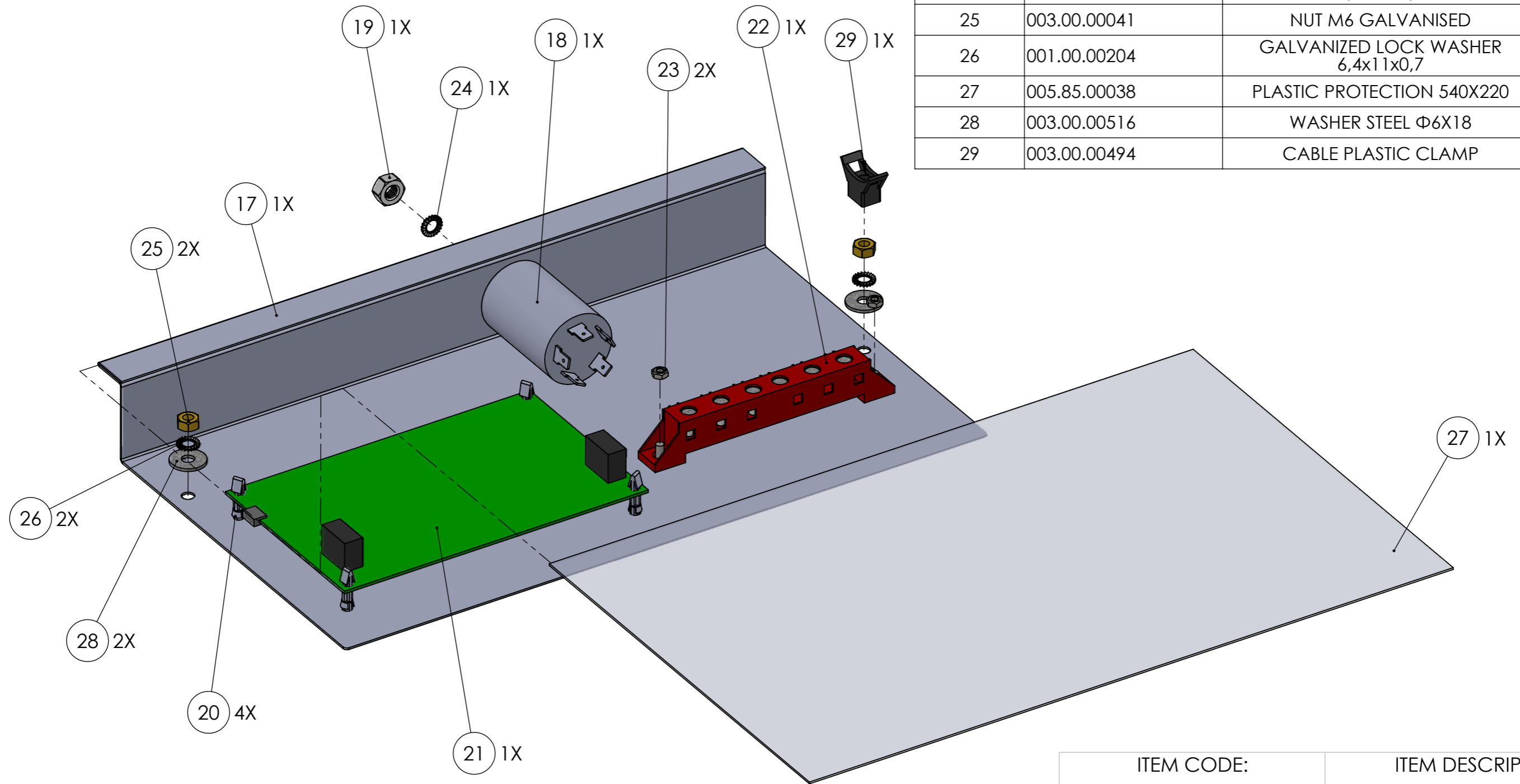
MODEL VERSION:
230V ~N 50/60 Hz

MODEL CODE:
004.60.00001

PAGE:
3

REVISION:
0.0

ITEM NO.	PART NUMBER	DESCRIPTION	QTY.
17	001.60.00028	INOX BASE FOR BOARD E600	1
18	003.00.00625	ELECTROMAGNETIC FILTER 250V 50/60Hz 10A 40°C	1
19	003.00.00301	NUT M8 GALV	1
20	003.00.00630	SPACER PCB RC-12 PLASTIC	4
21	003.00.00607	ATLAS MAIN BOARD VERSION	1
22	003.00.00030	POWER SUPPLY BOARD 6CON	1
23	003.00.00046	NUT M4 (GALV)	2
24	002.00.00142	GALVANIZED LOCK WASHER 6,4x11x0,7	1
25	003.00.00041	NUT M6 GALVANISED	2
26	001.00.00204	GALVANIZED LOCK WASHER 6,4x11x0,7	2
27	005.85.00038	PLASTIC PROTECTION 540X220	1
28	003.00.00516	WASHER STEEL Φ 6X18	2
29	003.00.00494	CABLE PLASTIC CLAMP	1



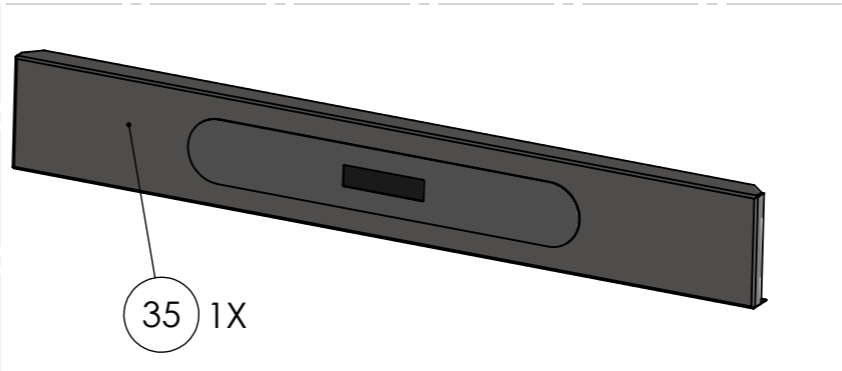
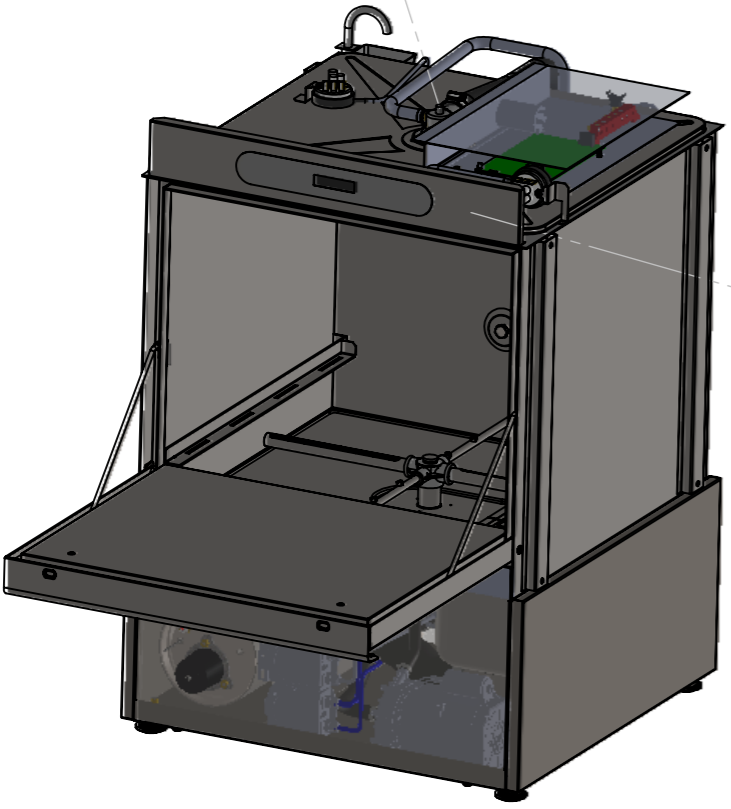
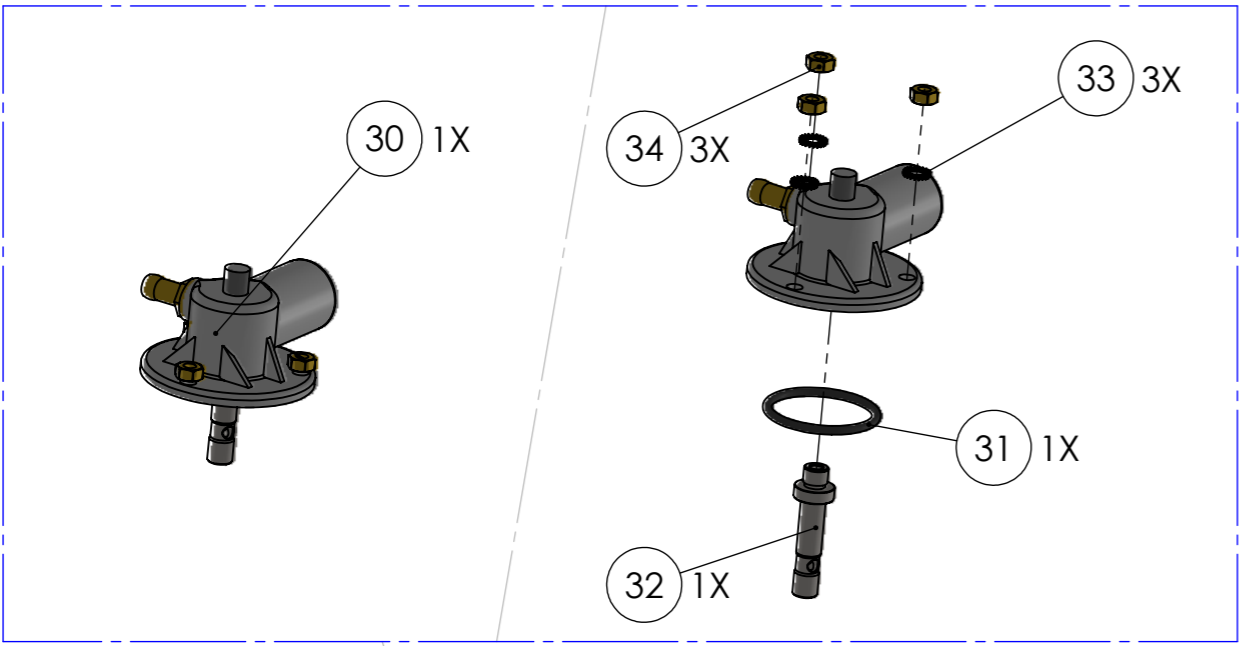
ITEM CODE: 003.60.00004	ITEM DESCRIPTION: BOARD PANEL COMPLETE
MODEL CODE: 004.60.00001	PAGE: 4
	REVISION: 0.0

SERIES DESCRIPTION:
DISH WASHER

MODEL DESCRIPTION:
600

MODEL VERSION:
230V ~N 50/60 Hz

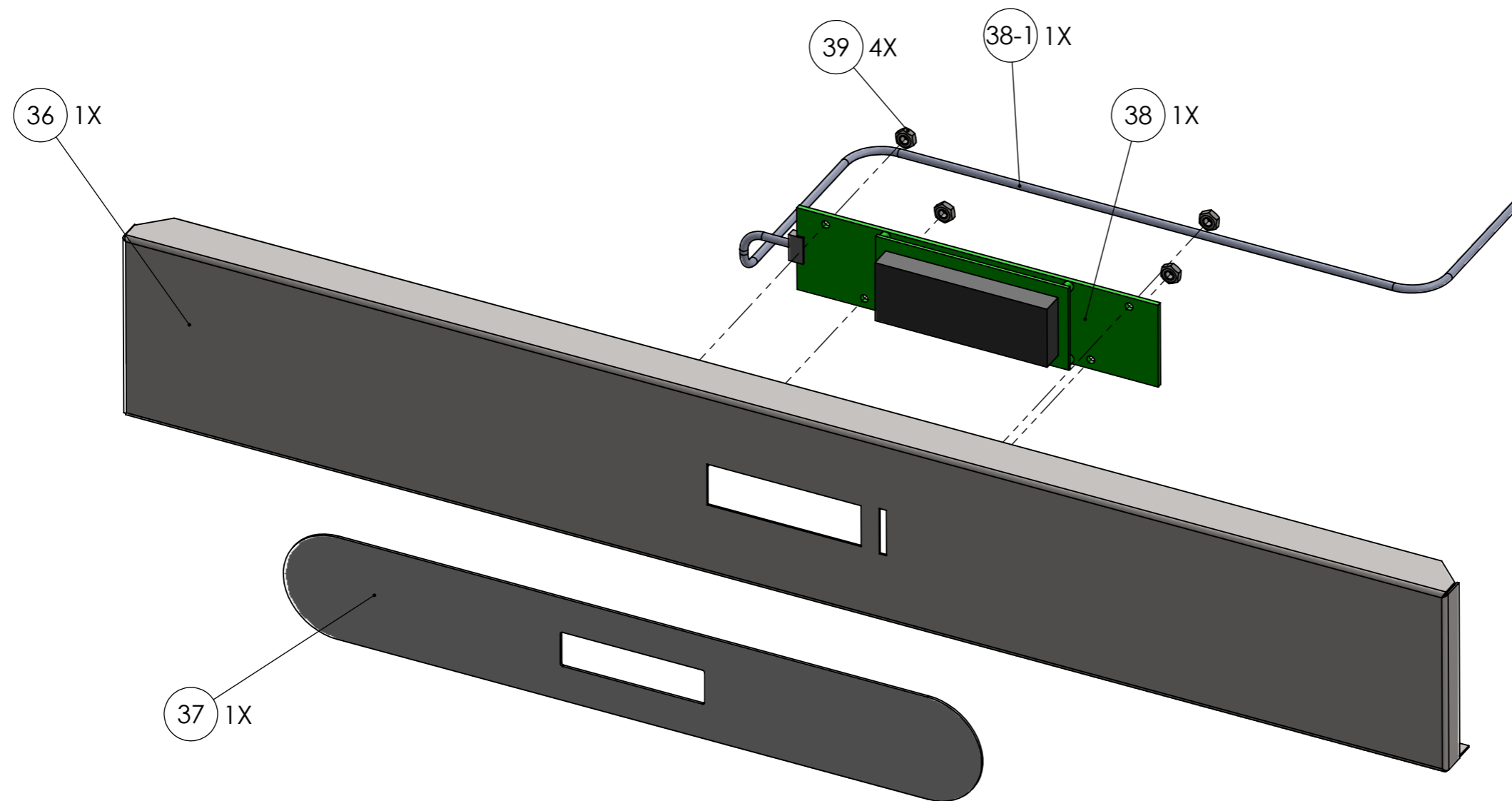
ITEM NO.	PART NUMBER	DESCRIPTION	QTY.
30	002.40.00014	UPPER WASH&RINSE BASE COMPLETE	1
31	002.00.00092	ORING $\Phi 40 \times 3,5$	1
32	002.40.00001	INOX AXLE F16-M10 UP EU40	1
33	001.00.00204	GALVANIZED LOCK WASHER 6,4x11x0,7	3
34	003.00.00041	NUT M6 GALVANISED	3
35	003.60.00005	CONTROL PANEL COMPLETE E600	1



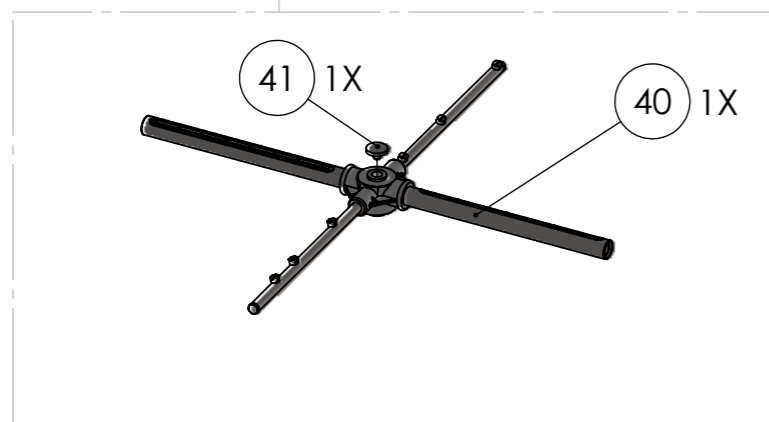
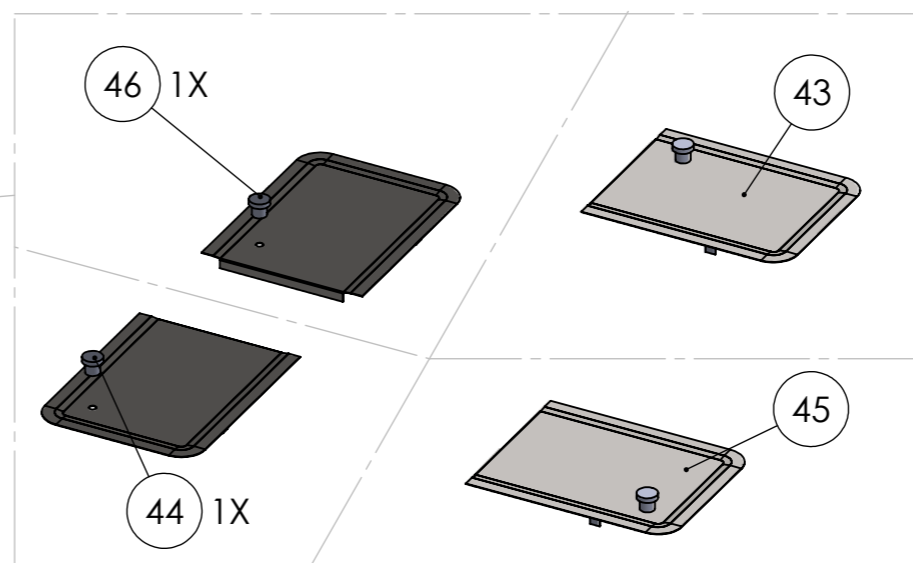
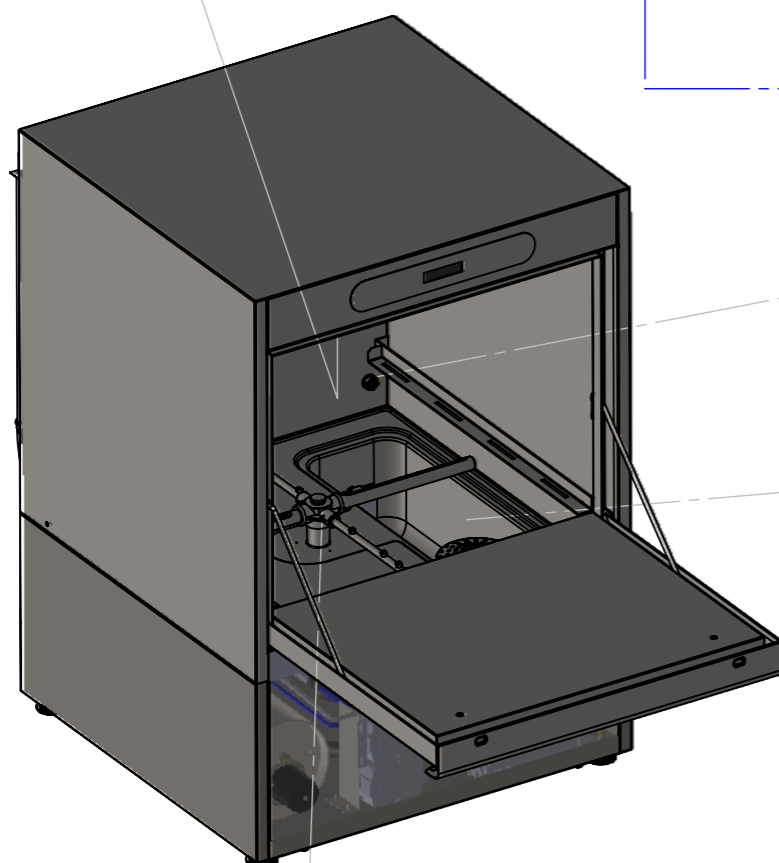
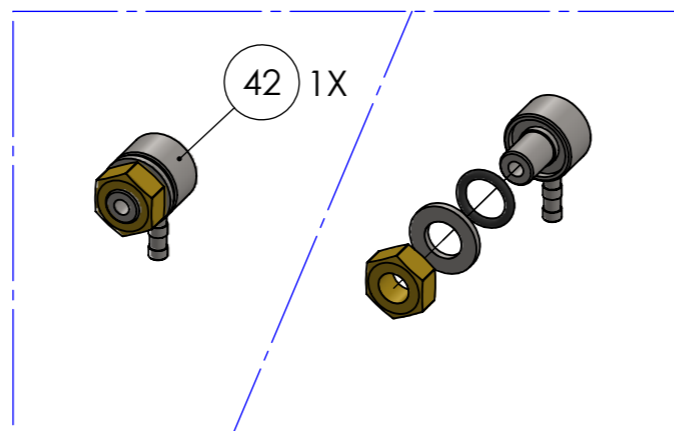
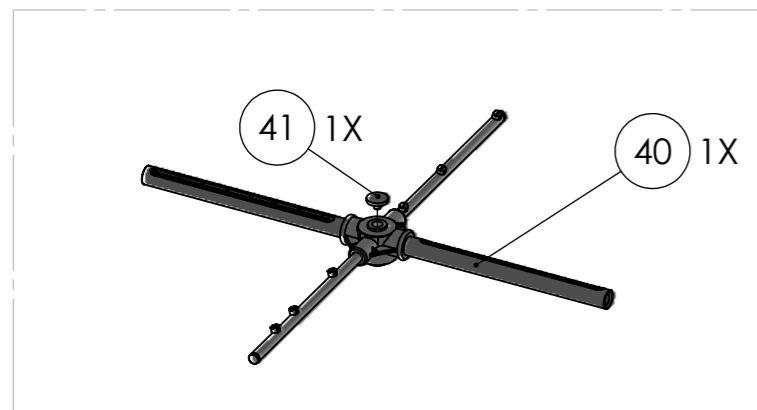
ITEM CODE:		ITEM DESCRIPTION:		
MODEL CODE:	PAGE:	REVISION:		
004.60.00001	5	0.0		

SERIES DESCRIPTION: DISH WASHER	MODEL DESCRIPTION: 600	MODEL VERSION: 230V ~N 50/60 Hz
------------------------------------	---------------------------	------------------------------------

ITEM NO.	PART NUMBER	DESCRIPTION	QTY.
36	001.60.00022	Display Panel Inox E600	1
37	003.50.00029	Membran keyboard E600	1
38	003.00.00608	User Interface 16x2Display Version	1
39	003.00.00046	NUT M4 (GALV)	4
38-1	003.00.00610	ATLAS USER CONNECTION CABLE L=500mm	1



SERIES DESCRIPTION: DISH WASHER			MODEL DESCRIPTION: 600		MODEL VERSION: 230V ~N 50/60 Hz		ITEM CODE: 003.60.00005		ITEM DESCRIPTION: CONTROL PANEL COMPLETE E600	
							MODEL CODE: 004.60.00001		PAGE: 6	
									REVISION: 0.0	



ITEM NO.	PART NUMBER	DESCRIPTION	QTY.
40	002.60.00005	RINSING & WACHING CROSS E600 COMPLETE	1
41	002.50.00004	LOCK NUT FOR RINSING ARM	1
42	002.00.00233	DETERGENT TANK INJECTOR	1
43	001.60.00034	Filter Of The Tank E600 1/2	1
44	001.15.00153	Inox Knob For Square Tank Filter 1500-600	1
45	001.60.00034	Filter Of The Tank E600 1/2	1
46	001.15.00153	Inox Knob For Square Tank Filter 1500-600	1

SERIES DESCRIPTION:
DISH WASHER

MODEL DESCRIPTION:
600

MODEL VERSION:
230V ~N 50/60 Hz

ITEM CODE:

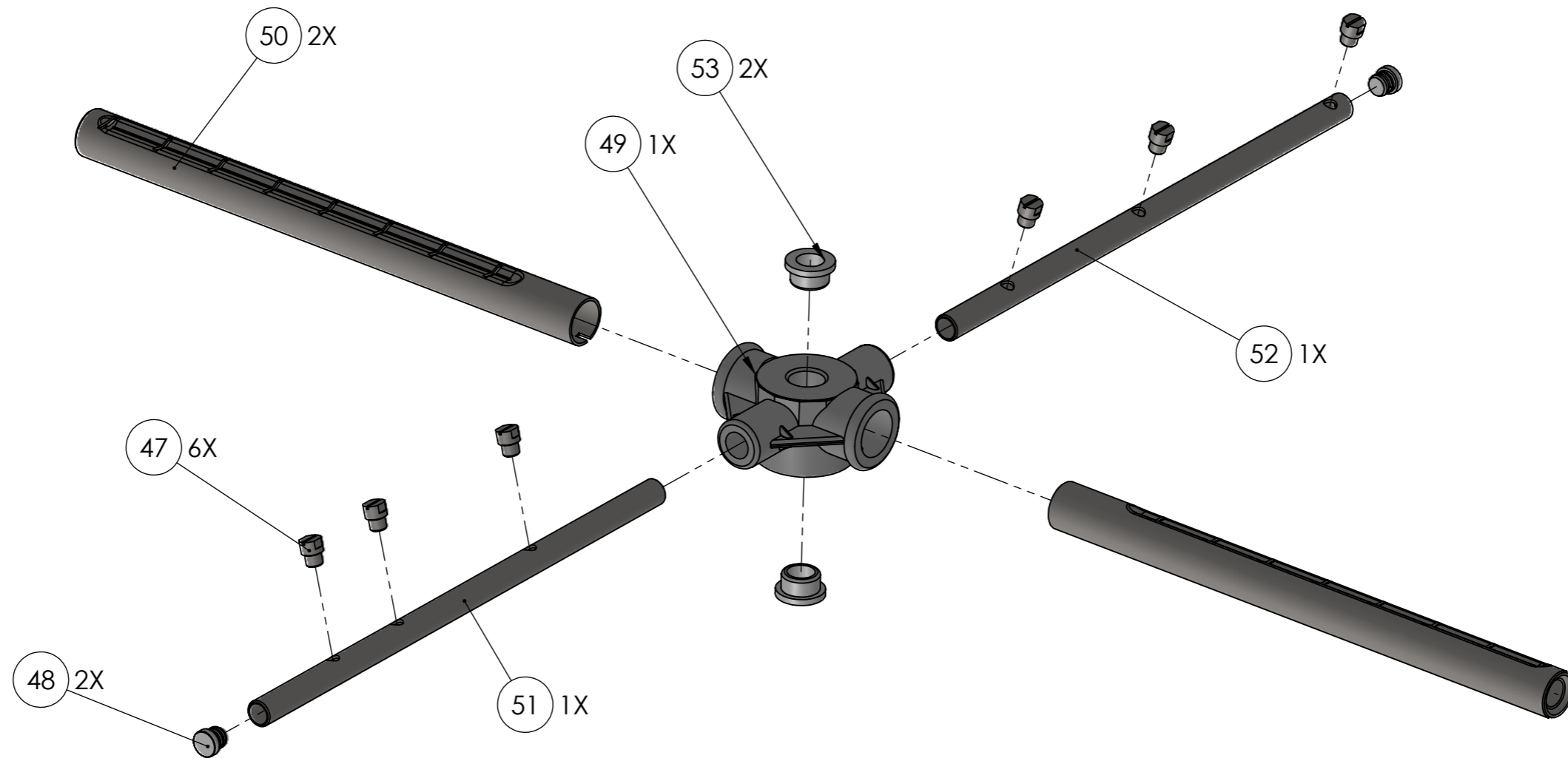
ITEM DESCRIPTION:

MODEL CODE:
004.60.00001

PAGE:
7

REVISION:
0.0

ITEM NO.	PART NUMBER	DESCRIPTION	QTY.
47	002.11.00008	SPRAYER FOR RINSING ARM BL,EU,VE,KN,1500	6
48	002.35.00047	CAP FOR RINSE ARMS	2
49	002.35.00018	RINSING-WASHING GROUP CROSS BL-EU	1
50	002.00.00272	PIPES E600 INOX Φ 18X1X225	2
51	002.60.00000-A	RINSING ARM SINGLE E600	1
52	002.60.00000-B	RINSING ARM SINGLE E600	1
53	002.35.00026	TEFLON Φ 18 X 10	2



SERIES DESCRIPTION:
DISH WASHER

MODEL DESCRIPTION:
600

MODEL VERSION:
230V ~N 50/60 Hz

ITEM CODE:
002.60.00005

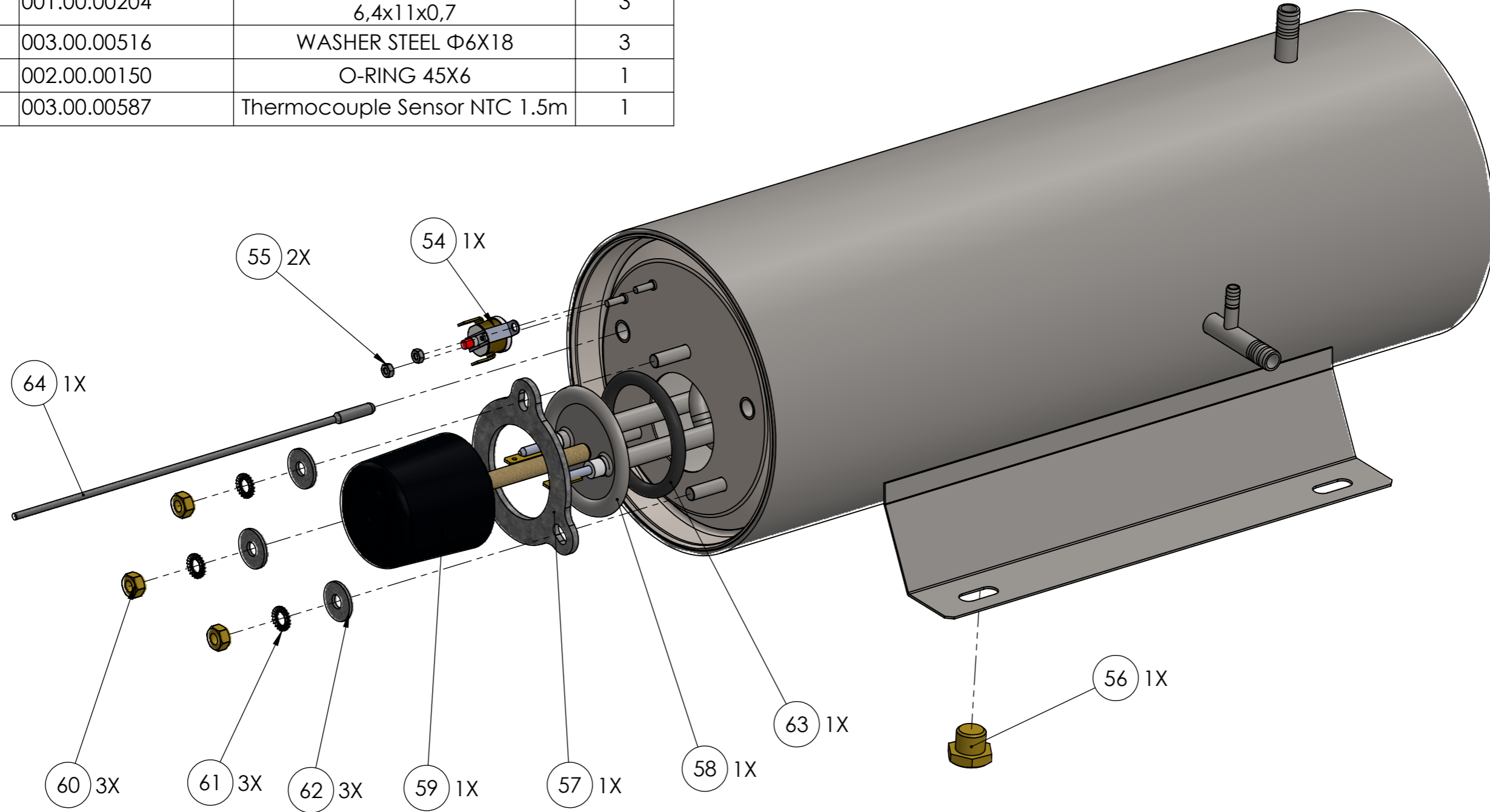
MODEL CODE:
004.60.00001

ITEM DESCRIPTION:
RINSING & WASHING CROSS
E600 COMPLETE

PAGE:
8

REVISION:
0.0

ITEM NO.	PART NUMBER	DESCRIPTION	QTY.
54	003.00.00180	THERMOFUSE 105C	1
55	002.00.00090	GALV. NUT M3	2
56	002.00.00076	BOILER DRAIN THREADED CAP	1
57	003.00.00260	BOILER ELEMENT FITTING BASE	1
58	003.50.00005	HEATER ELEM. BOILER 3KW 230V V-K	1
59	003.00.00004	HEATER ELEMENT COVER	1
60	003.00.00041	NUT M6 GALVANISED	3
61	001.00.00204	GALVANIZED LOCK WASHER 6,4x11x0,7	3
62	003.00.00516	WASHER STEEL $\Phi 6 \times 18$	3
63	002.00.00150	O-RING 45X6	1
64	003.00.00587	Thermocouple Sensor NTC 1.5m	1



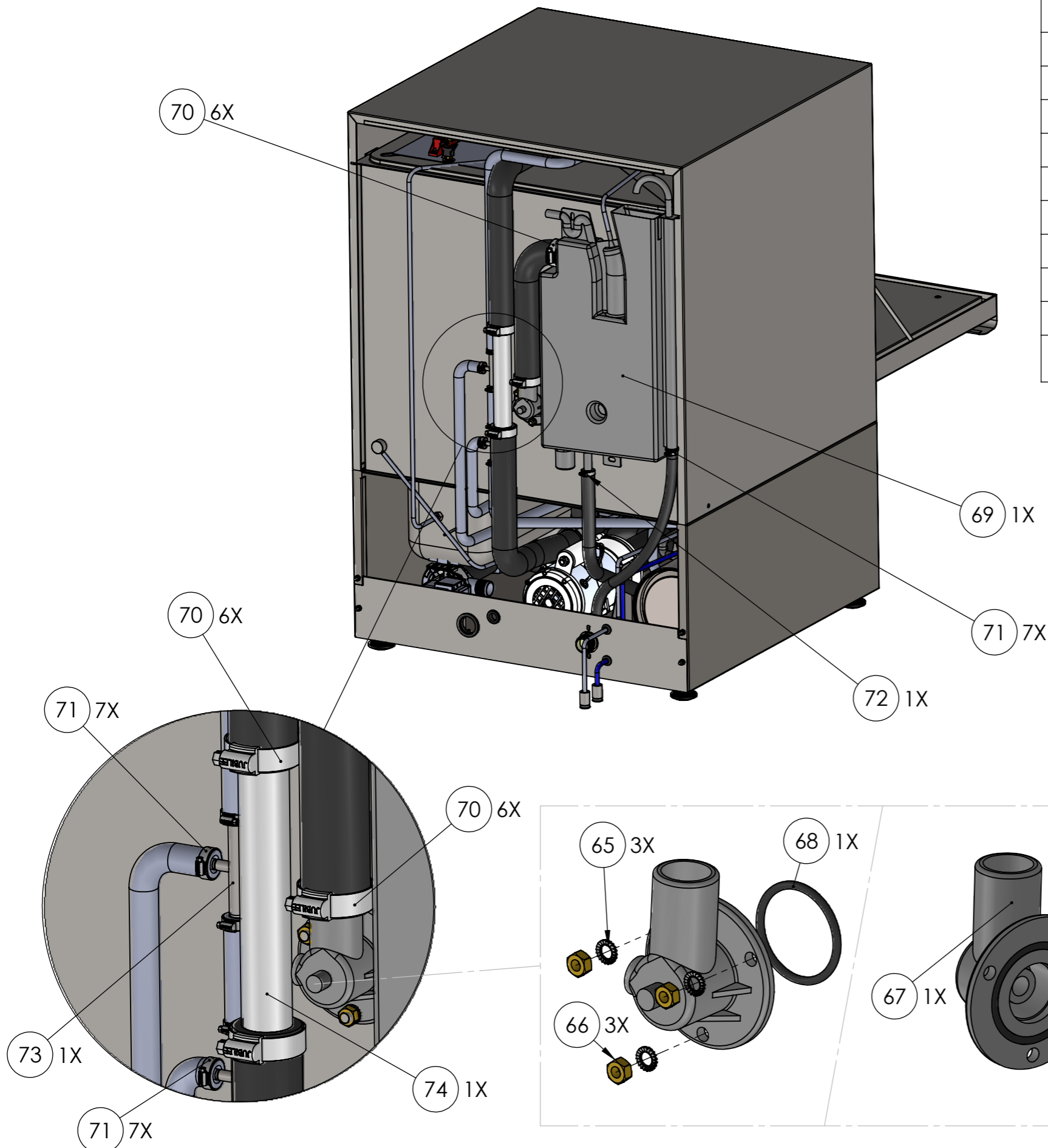
ITEM CODE: 006.60.00000	ITEM DESCRIPTION: BOILER KN50 400V COMPLETE
MODEL CODE: 004.60.00001	PAGE: 9
	REVISION: 0.0

SERIES DESCRIPTION:
DISH WASHER

MODEL DESCRIPTION:
600

MODEL VERSION:
230V ~N 50/60 Hz

ITEM NO.	PART NUMBER	DESCRIPTION	QTY.
65	001.00.00204	GALVANIZED LOCK WASHER 6,4x11x0,7	3
66	003.00.00041	NUT M6 GALVANISED	3
67	002.35.00019-1	BOTTOM PLASTIC BASE B35	1
68	002.00.00092	ORING $\Phi 40 \times 3,5$	1
69	002.00.00273	BREAK TANK ASSEMBLY 2.4L	1
70	002.00.00048	CLAMP 25-40	6
71	002.00.00052	CLAMP 10-16	7
72	002.00.00047	CLAMP 25-40	1
73	002.51.00007	T-CONNECTION BOLIER KNOSSOS	2
74	002.40.00023	WASHING PIPE OUTLET	1
75	002.00.00119-3	WASHING MACHINE HOSE BLACK 10X16.5	1



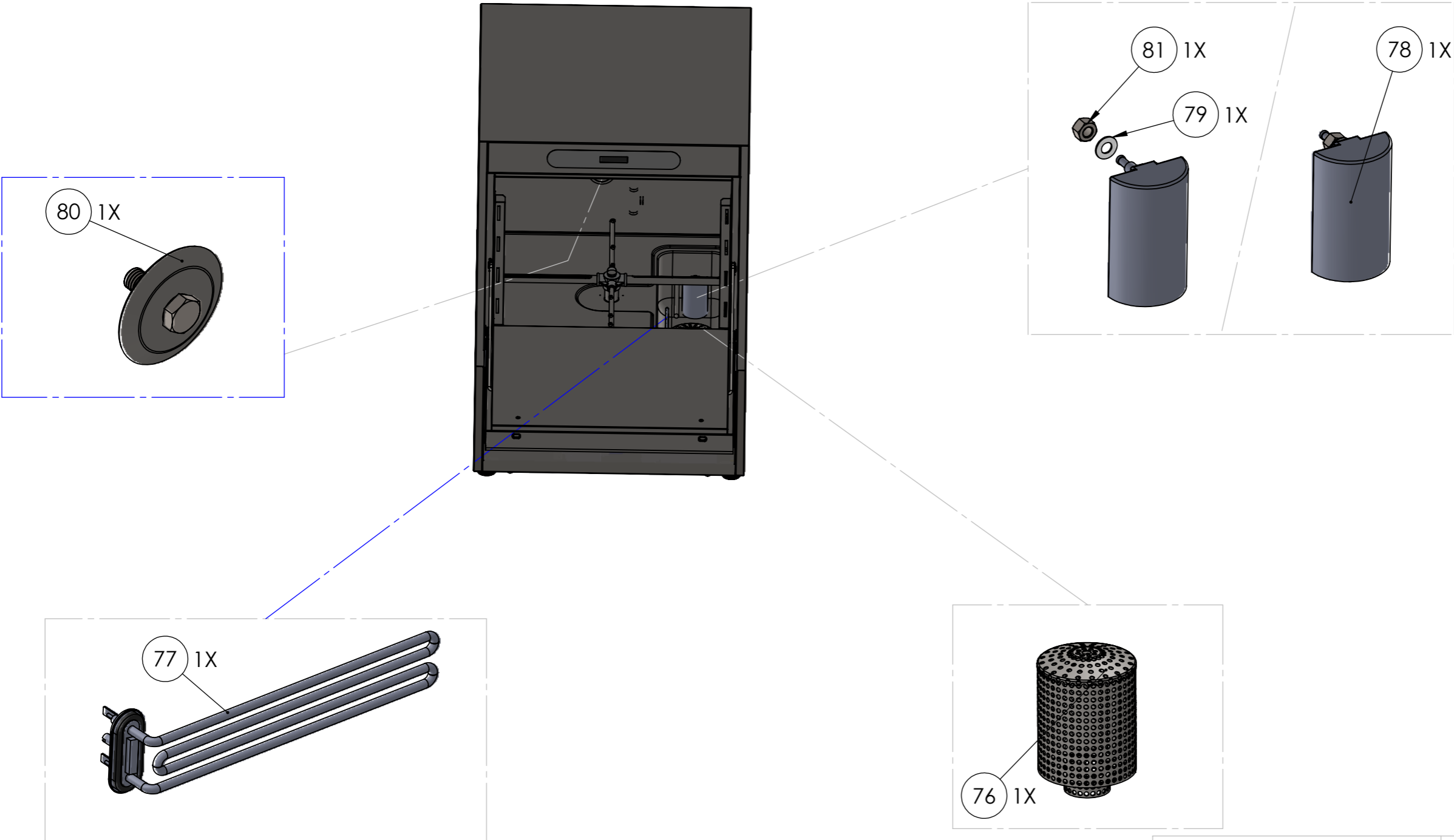
ITEM CODE:	ITEM DESCRIPTION:
MODEL CODE: 004.60.00001	PAGE: 10
	REVISION: 0.0

SERIES DESCRIPTION:
DISH WASHER

MODEL DESCRIPTION:
600

MODEL VERSION:
230V ~N 50/60 Hz

ITEM NO.	PART NUMBER	DESCRIPTION	QTY.
76	001.60.00001	FILTER FOR PUMP E600	1
77	003.60.00002	Tank Heating Element E600 1.5Kw	1
78	005.16.00027	Air Trap E600	1
79	002.15.00074	TEFLON WASHER $\Phi 16 \times \Phi 8 \times 1$	1
80	001.00.00257	Cup F58-M10 For Braik-Tank Overflow	1
81	Hexagon Nut ISO - 4034 - M8 - N		1



SERIES DESCRIPTION:
DISH WASHER

MODEL DESCRIPTION:
600

MODEL VERSION:
230V ~N 50/60 Hz

MODEL CODE:
004.60.00001

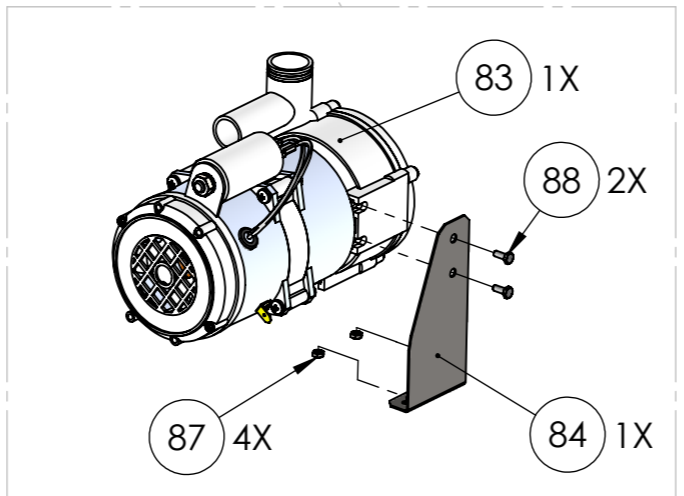
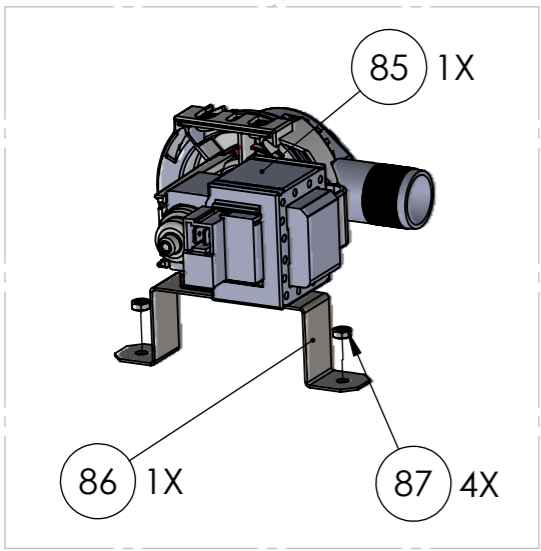
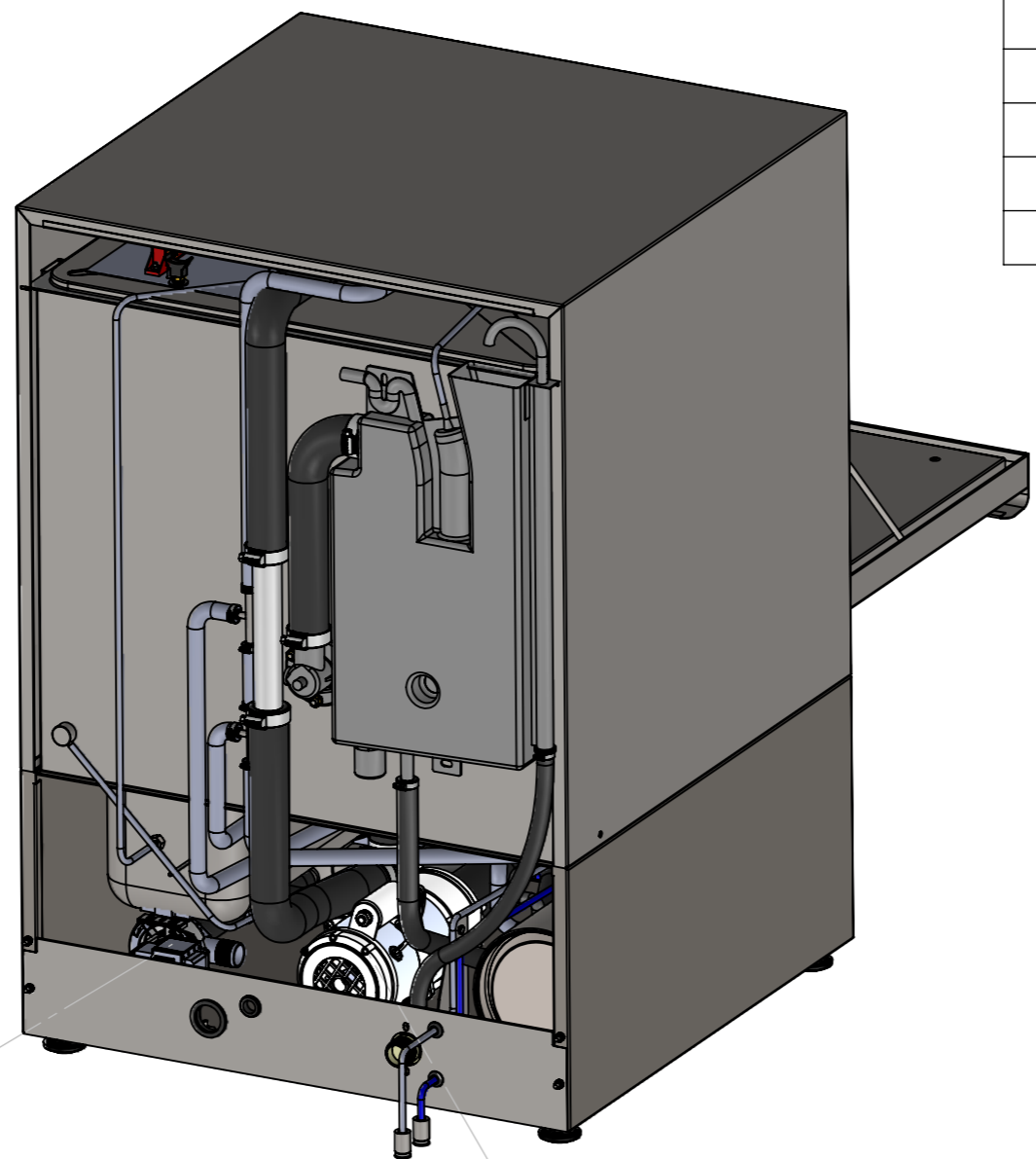
PAGE:
11

REVISION:
0.0

ITEM CODE:

ITEM DESCRIPTION:

ITEM NO.	PART NUMBER	DESCRIPTION	QTY.
83	003.60.00000	PUMP 045HP 230V 50Hz	1
84	001.60.00002	BRACKET FOR PUMP E600	1
85	003.00.00184	TANK DRAINING PUMP 230V / 65W	1
86	001.60.00003	Bracket For Draining Pump E600	1
87	003.00.00046	NUT M4 (GALV)	4
88	003.00.00278	GALV. BOLT M4X10	2

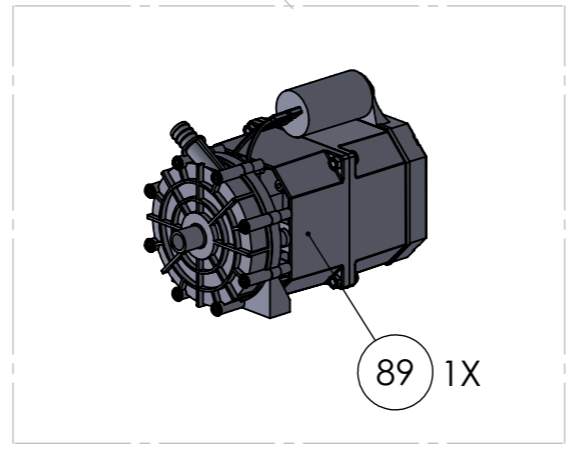
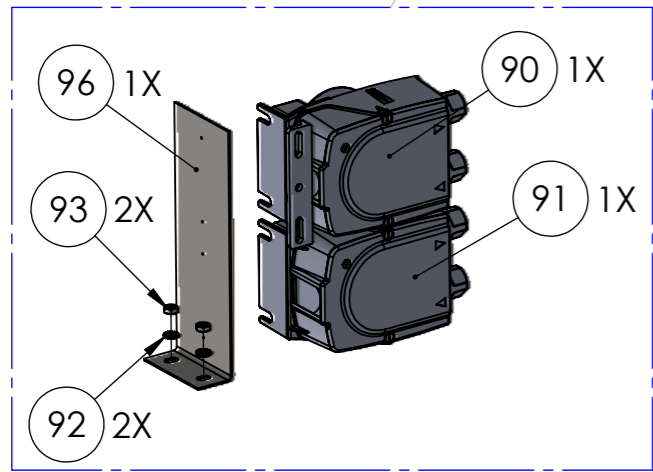
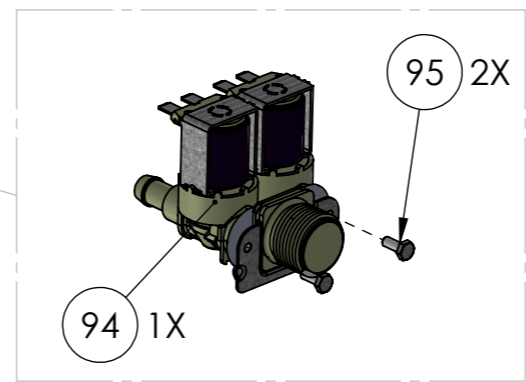
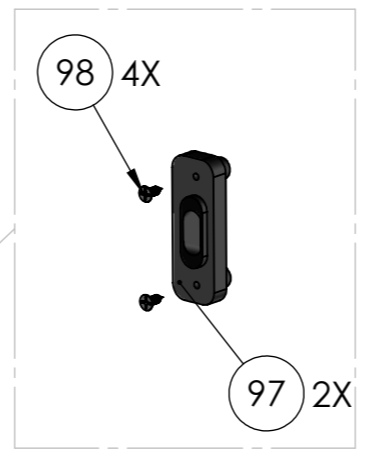
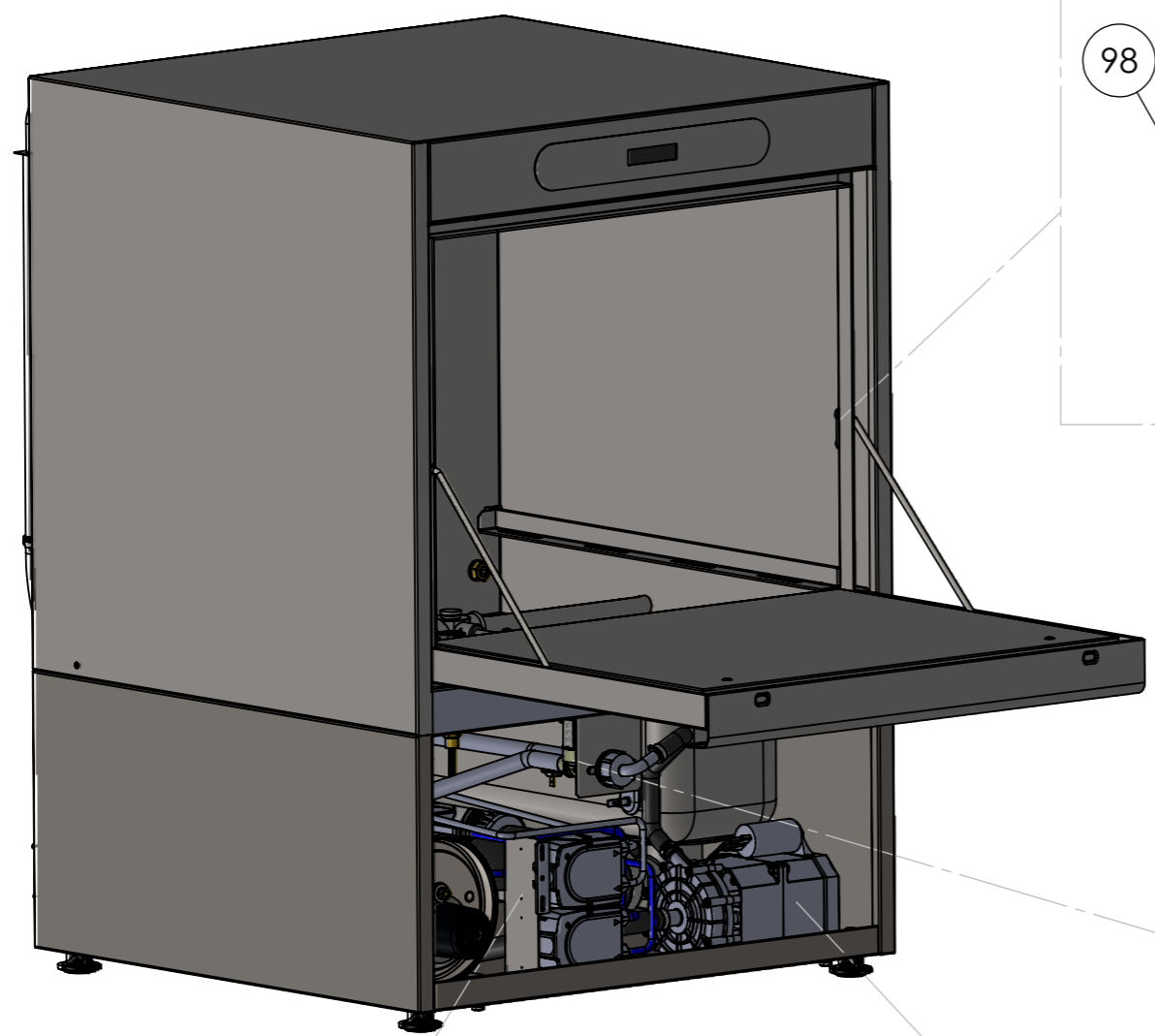


ITEM CODE:	ITEM DESCRIPTION:
MODEL CODE: 004.60.00001	PAGE: 12
	REVISION: 0.0

SERIES DESCRIPTION:
DISH WASHER

MODEL DESCRIPTION:
600

MODEL VERSION:
230V ~N 50/60 Hz



ITEM NO.	PART NUMBER	DESCRIPTION	QTY.
89	003.00.00420	PUMP BOOSTER 230V/50Hz	1
90	003.00.00433	PERISTALTIC RINSE AID PUMP G302 / 230V	1
91	003.00.00429	PERISTALTIC DETERGENT PUMP G300 / 230V	1
92	002.00.00140	LOCK WASHER INOX Φ4	2
93	003.00.00046	NUT M4 (GALV)	2
94	003.00.00151	Water Input Valve Double	1
95	003.00.00278	GALV. BOLT M4X10	2
96	001.50.00078	BRACKET FOR TWO PERISTALTIC PUMPS V500	1
97	001.00.00221	PLASTIC GUIDE FOR DOOR AXLE	2
98	001.00.00073	INOX SCREW 2,9 X 10	4

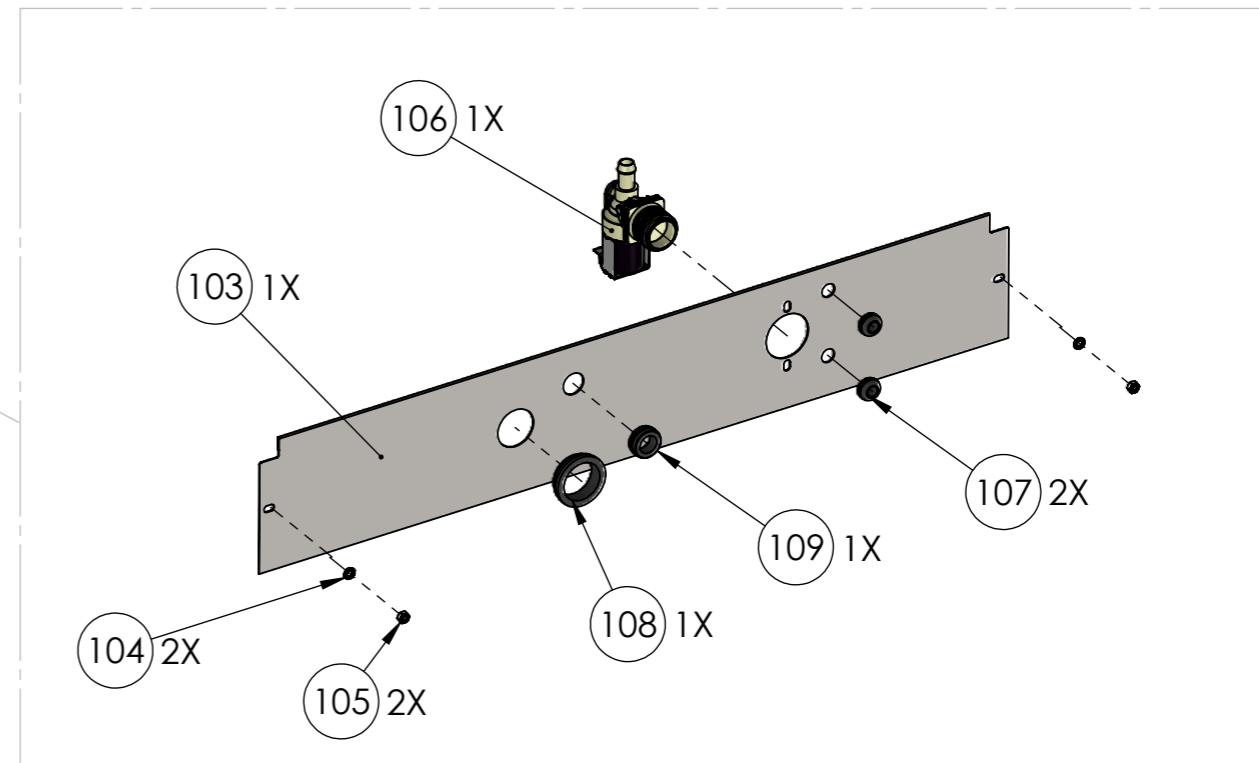
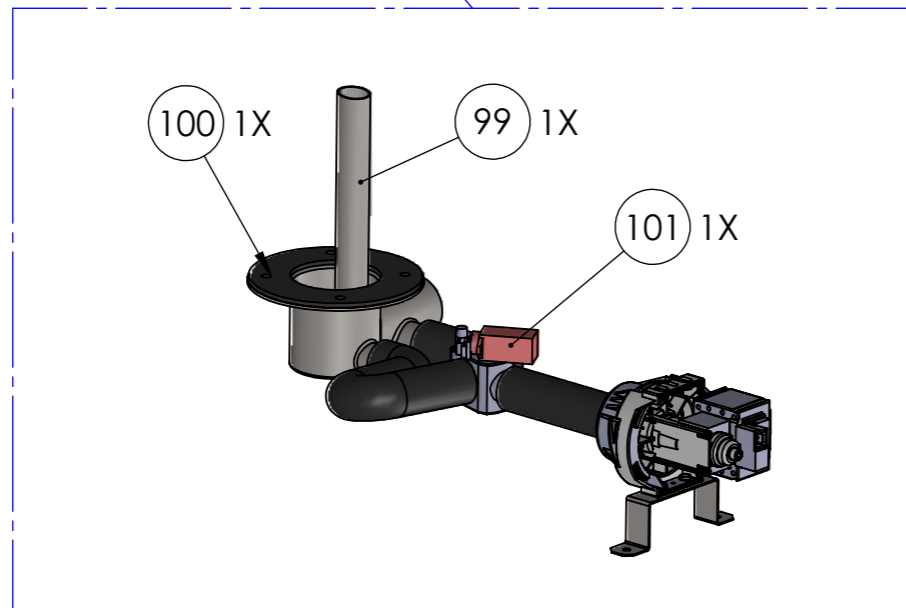
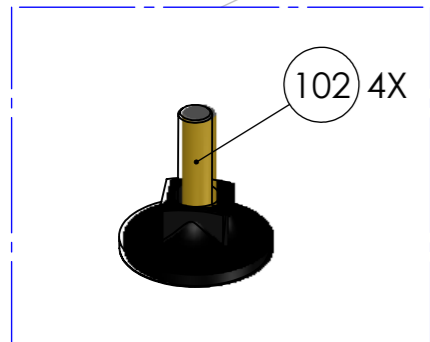
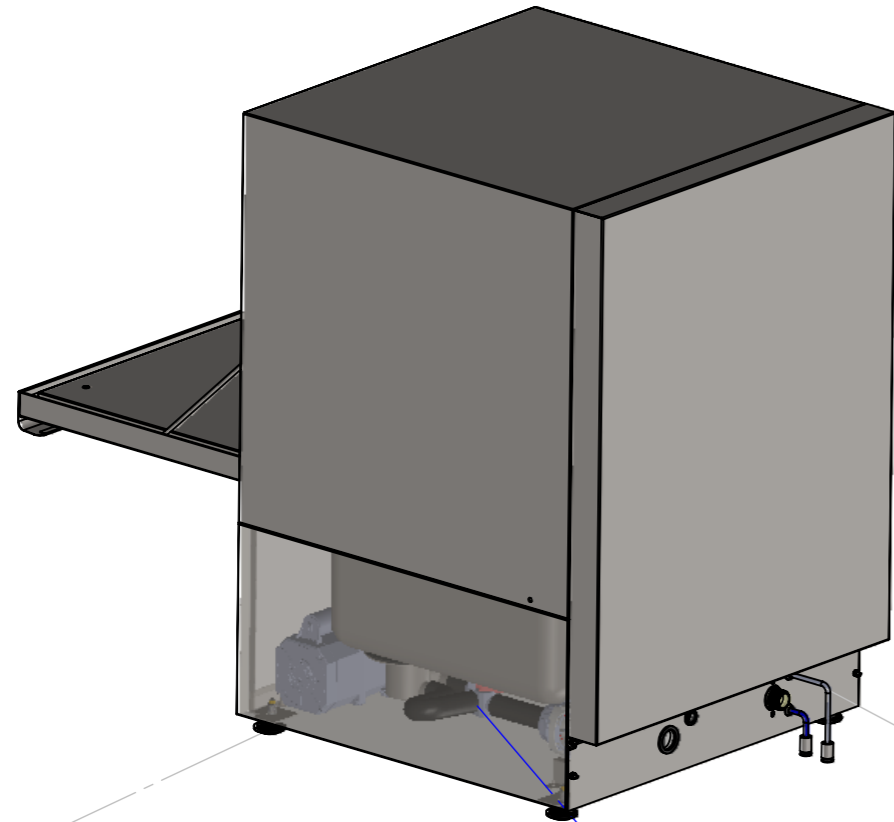
ITEM CODE:	ITEM DESCRIPTION:
MODEL CODE: 004.60.00001	PAGE: 13
	REVISION: 0.0

SERIES DESCRIPTION:
DISH WASHER

MODEL DESCRIPTION:
600

MODEL VERSION:
230V ~N 50/60 Hz

ITEM NO.	PART NUMBER	DESCRIPTION	QTY.
99	002.60.00004	INOX BASE FOR FILTER E600	1
100	002.15.00075	TANK FILTER BASE RUBBER GASKET TURBO1500	1
101	003.60.00001	DEVERTER VALVE FOR TANK	1
102	001.00.00016	Small Black Foot M10	4
103	001.60.00019	Inox Lower Back Cover E600	1
104	002.00.00140	LOCK WASHER INOX Φ 4	2
105	002.00.00095	INOX NUT M4	2
106	003.00.00596	WATER INPUT VALVE	1
107	003.00.00025	CABLE RUBBER PROTECTOR	2
108	003.00.00466	PIPE RUBBER PROTECTOR	1
109	003.00.00347	RUBBER CABLE PROTECTION N.01	1

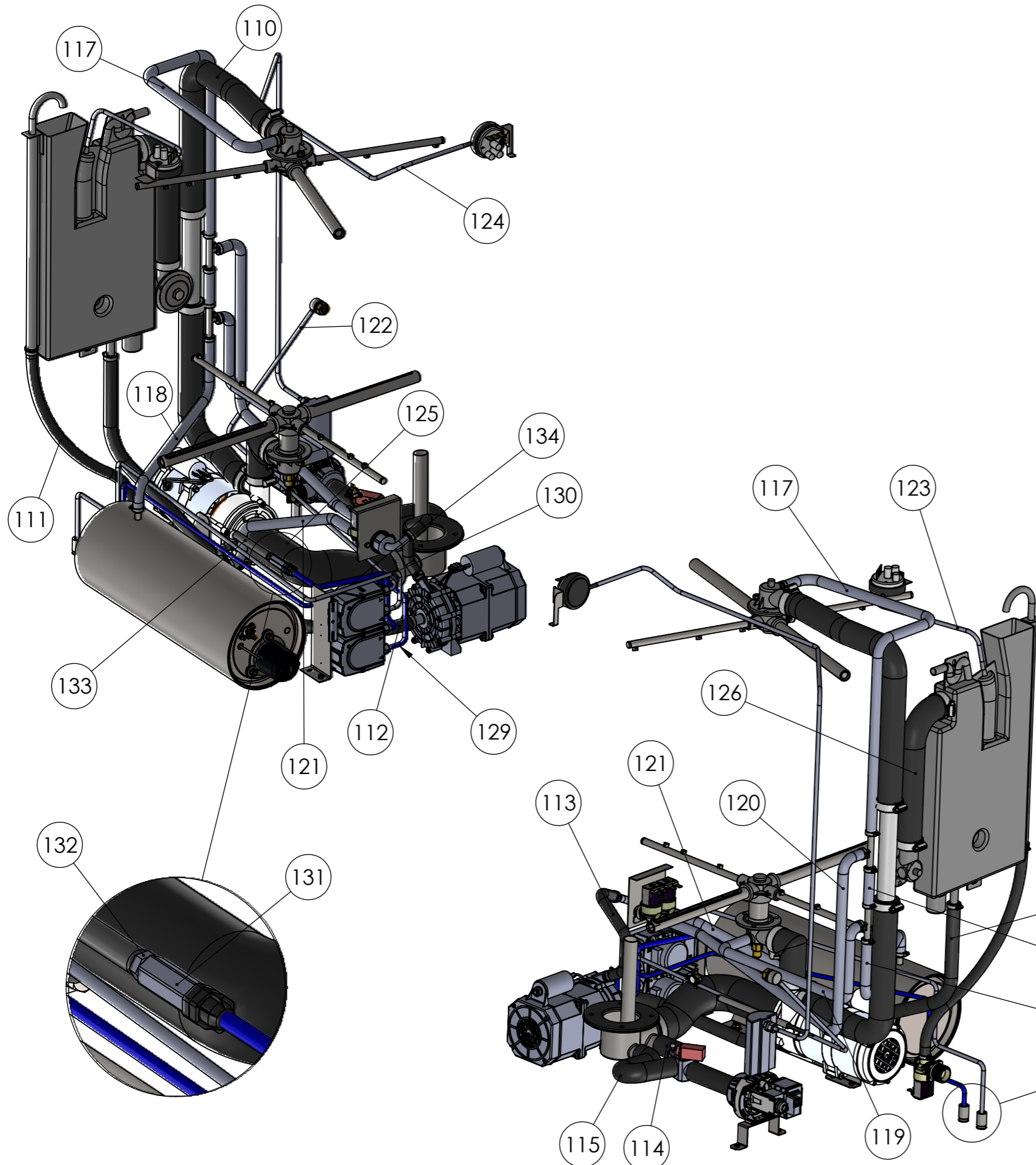


ITEM CODE:	ITEM DESCRIPTION:
MODEL CODE: 004.60.00001	PAGE: 14
	REVISION: 0.0

SERIES DESCRIPTION:
DISH WASHER

MODEL DESCRIPTION:
600

MODEL VERSION:
230V ~N 50/60 Hz



ITEM NO.	PART NUMBER	DESCRIPTION	QTY.
110	002.40.00023	WASHING PIPE OUTLET	1
111	005.85.00034-1	RUBBER HOSE PVC-WRAS	1
112	005.85.00033-1	RUBBER HOSE EPDM 12-20	1
113	002.00.00119-7	WASHING MACHINE HOSE BLACK 10X16.5	1
114	002.00.00284-2	ELBOW HOSE $\Phi 30-\Phi 22$ 200X100	1
115	002.00.00284-1	ELBOW HOSE $\Phi 30-\Phi 22$ 200X100	1
116	002.00.00119-3	WASHING MACHINE HOSE BLACK 10X16.5	1
117	002.00.00119-6	WASHING MACHINE HOSE BLACK 10X16.5	1
118	002.00.00119-1	WASHING MACHINE HOSE BLACK 10X16.5	1
119	002.00.00119-4	WASHING MACHINE HOSE BLACK 10X16.5	1
120	002.00.00119-5	WASHING MACHINE HOSE BLACK 10X16.5	1
121	002.00.00119-2	WASHING MACHINE HOSE BLACK 10X16.5	1
122	003.00.00140_5		1
123	003.00.00140_6	TUBO CRISTALLO 4X6	1
124	003.00.00140_4	TUBO CRISTALLO 4X6	1
125	002.00.00043	RUBBER HOSE SPIRAL 38X311	1
126	002.00.00281	ELBOW HOSE $\Phi 38-\Phi 30$ 210X130	1
127	002.00.00195	BALANCE F15X20	2
128	002.00.00242	FILTER PLASTIC FOR RINSE AID VALVE	2
129	003.00.00487-1	TUBE PVC BLUE 4X6	1
130	003.00.00140_7	TUBO CRISTALLO 4X6	1
131	002.00.00002	NON RETURN VALVE FOR RINSE AID PUMP	1
132	002.00.00287	FITTINGS 1/8x7	1
133	002.00.00132	WASHING MACHINE HOSE BLACK 6X12	1
134	003.00.00487-2	TUBE PVC BLUE 4X6	1

SERIES DESCRIPTION:
DISH WASHER

MODEL DESCRIPTION:
600

MODEL VERSION:
230V ~N 50/60 Hz

ITEM CODE:

ITEM DESCRIPTION:

MODEL CODE:
004.60.00001

PAGE:
15

REVISION:
0.0