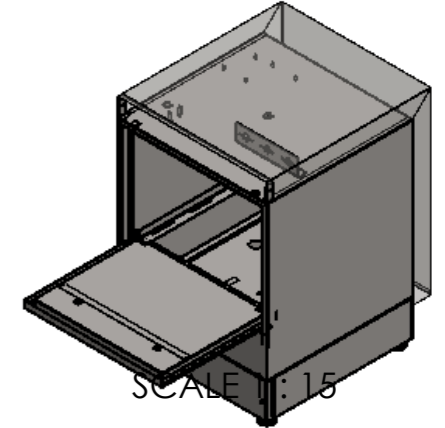
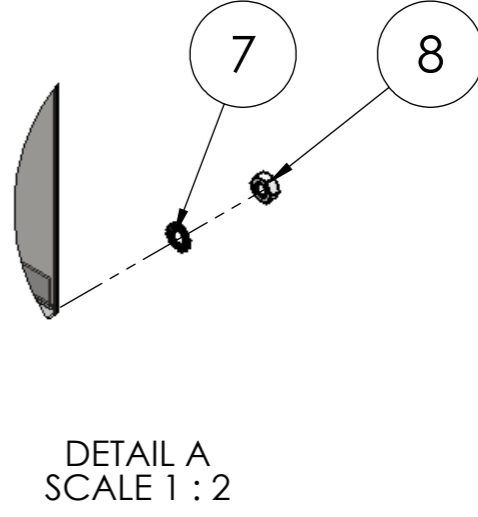
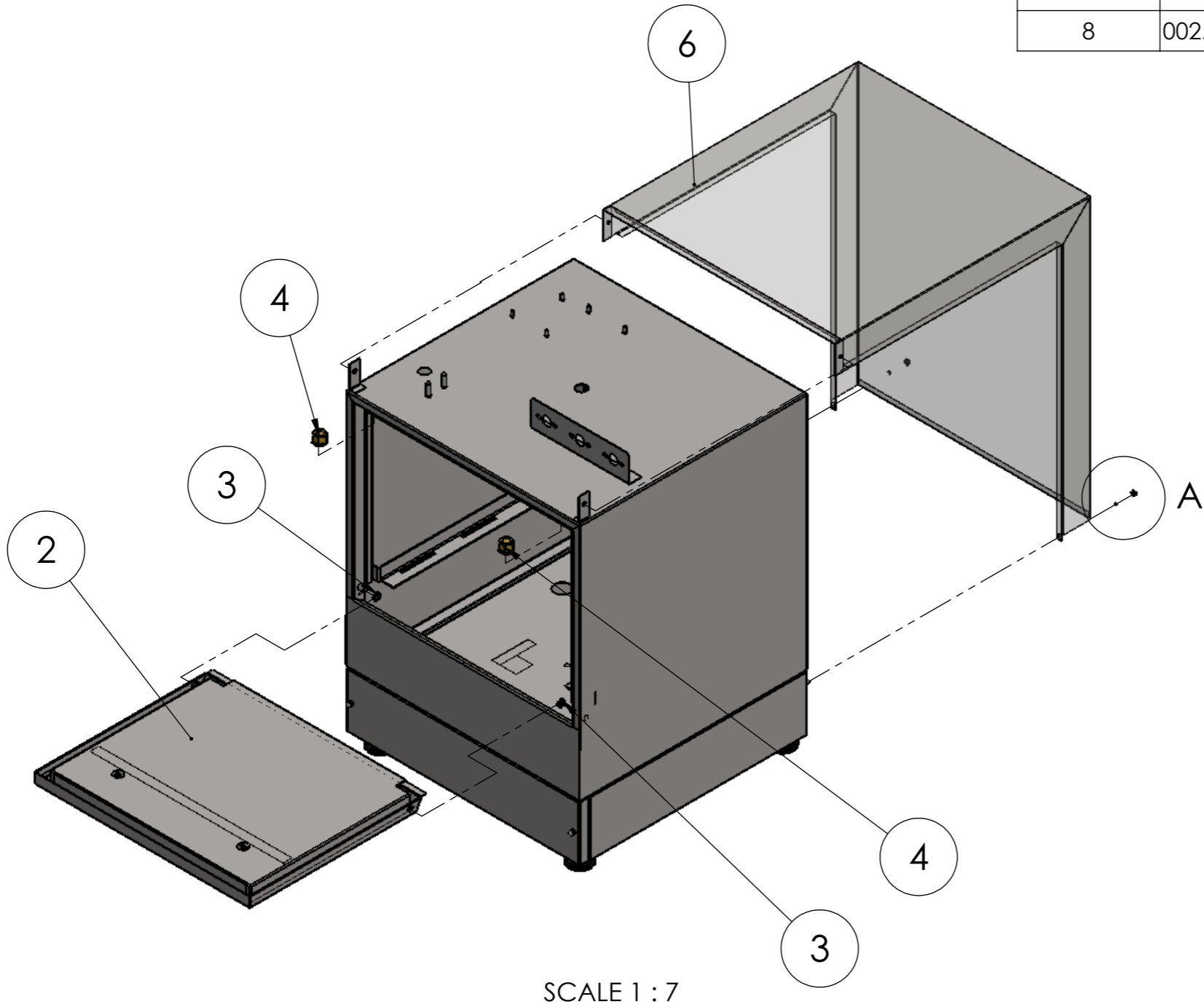
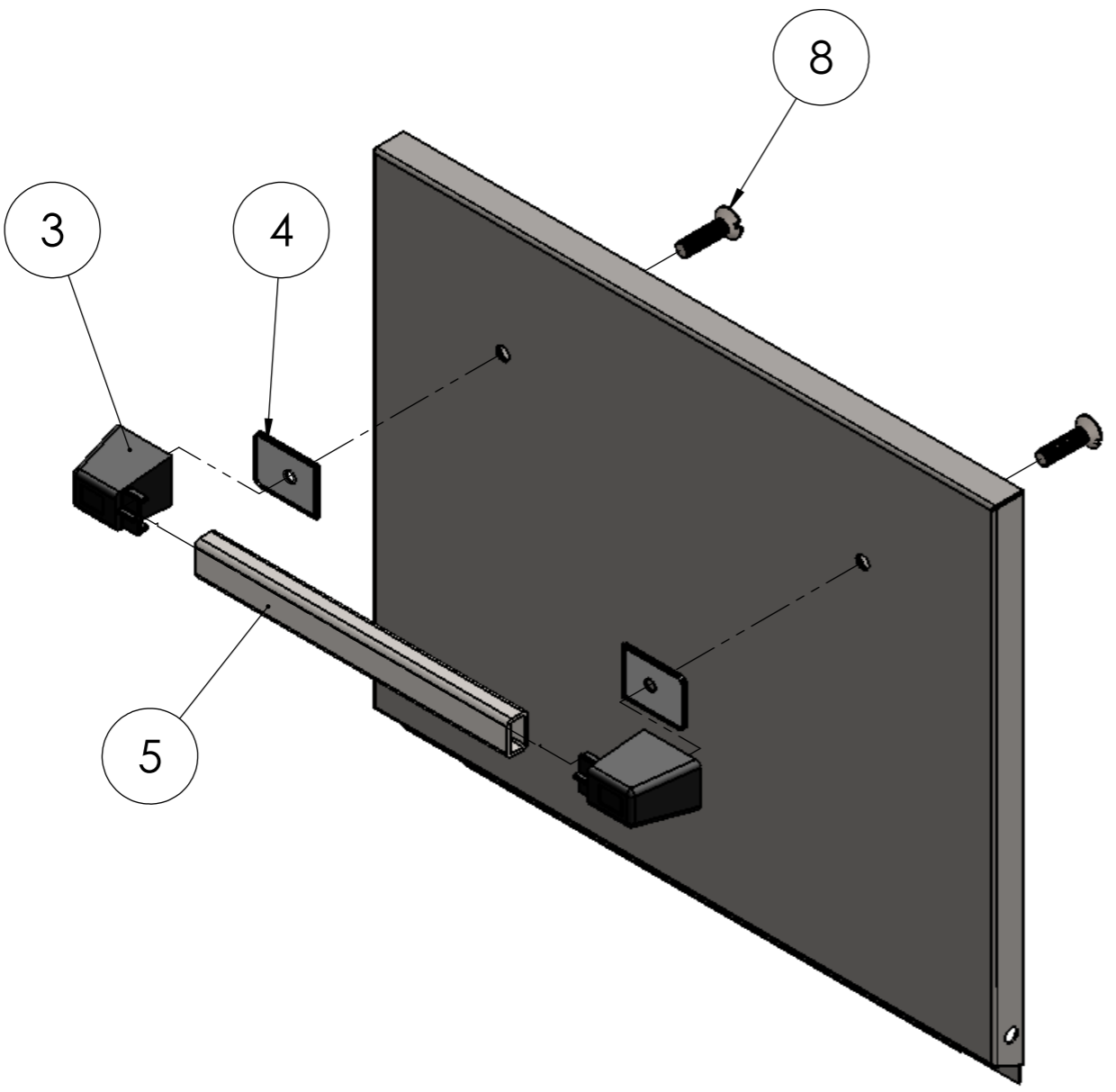


| ITEM NO. | PART NUMBER | DESCRIPTION | QTY. |
|----------|--------------|---|------|
| 2 | 001.35.00042 | DOOR COMPLETE BARLINE 35 | 1 |
| 3 | 001.00.00045 | TEFLON WASHER $\Phi 12,5 \times 8 \times 2,5$ | 2 |
| 4 | 001.00.00051 | DOOR SNAP SET | 2 |
| 6 | 001.35.00047 | TOP AND BACK INOX COVER B35 | 1 |
| 7 | 002.00.00140 | LOCK WASHER INOX $\Phi 4$ | 2 |
| 8 | 002.00.00095 | INOX NUT M4 | 2 |

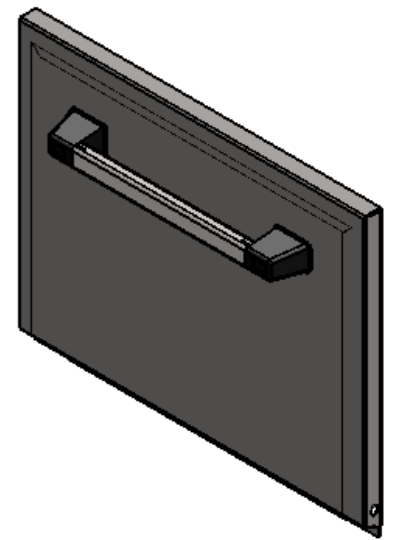


| | | | | | |
|----------------------------------|--|--|--|--------------------------|-----------------------------------|
| SERIES DESCRIPTION: GLASS WASHER | | MODEL DESCRIPTION: B35 | | ITEM CODE: | ITEM DESCRIPTION: STEEL STRUCTURE |
| | | MODEL VERSION: BARLINE 35 230V~N, 50/60Hz | | MODEL CODE: 004.35.00000 | PAGE: 2 |
| | | | | REVISION: 0 | |

| ITEM NO. | PART NUMBER | DESCRIPTION | QTY. |
|----------|--------------|----------------------------|------|
| 3 | 001.00.00161 | BASE FOR HANDLE | 2 |
| 4 | 002.00.00057 | DOOR HANDLE PLASTIC FLANGE | 2 |
| 5 | 001.00.00021 | ALUMINIUM HANDLE B35/EU40 | 1 |
| 8 | 003.00.00211 | | 2 |

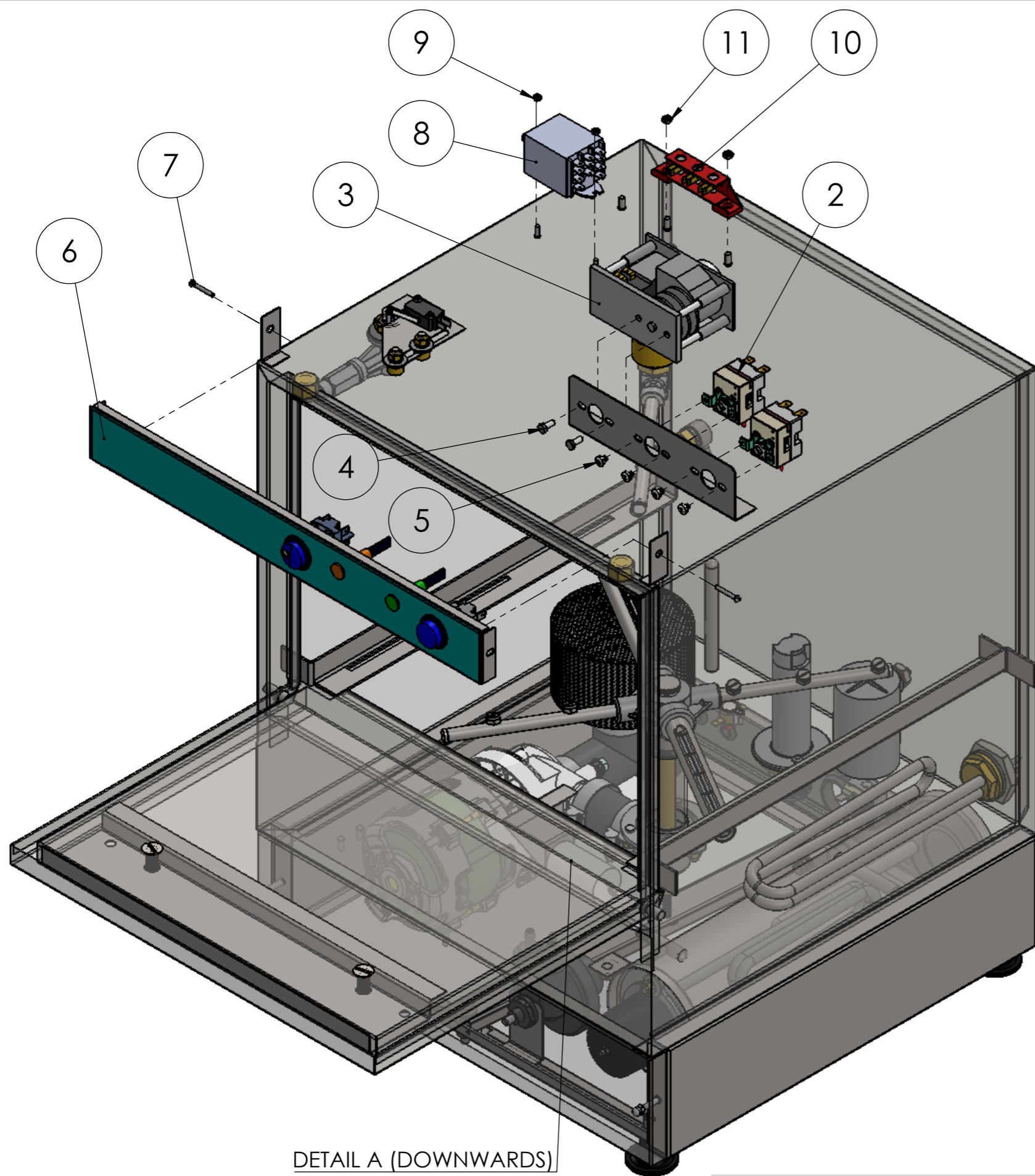


SCALE 1 : 3



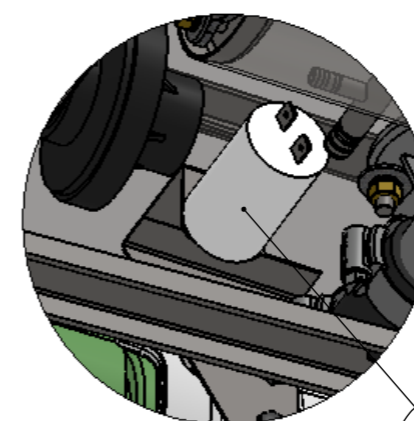
SCALE 1 : 6

| | | | | | | | |
|----------------------------------|--|------------------------|--|---|--|--|--|
| SERIES DESCRIPTION: GLASS WASHER | | MODEL DESCRIPTION: B35 | | ITEM CODE: 001.35.00042 | | ITEM DESCRIPTION: DOOR COMPLETE BARLINE 35 | |
| | | | | MODEL VERSION: BARLINE35 230V~N, 50/60Hz | | MODEL CODE:004.15.00000 | |
| | | | | | | PAGE: 1 | |
| | | | | | | REVISION: 0 | |

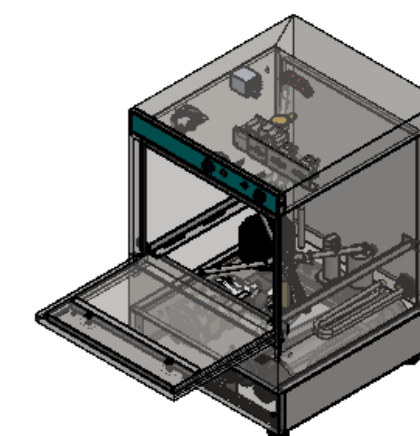


DETAIL A (DOWNWARDS)

| ITEM NO. | PART NUMBER | DESCRIPTION | QTY. |
|----------|--------------|---------------------------------|------|
| 2 | 003.00.00213 | THERMOSTAT 0-90oC 1500mm | 2 |
| 3 | 003.00.00448 | TIMER 120 SEC. Q.START | 1 |
| 4 | 003.00.00046 | GALV. BOLT M4X10 | 2 |
| 5 | 001.00.00076 | GALVANIZED MACHINE SCREW M4 X 5 | 4 |
| 6 | 003.35.00001 | DISPLAY PANEL COMPLETE B35 | 1 |
| 7 | 001.00.00213 | INOX SCREW M4X15 | 2 |
| 8 | 003.00.00082 | MICRO RELAY 11 PINS WITH FASTON | 1 |
| 9 | 002.00.00090 | GALV. NUT M3 | 2 |
| 10 | 003.00.00392 | POWER SUPPLY BOARD THREE CON. | 1 |
| 11 | 003.00.00046 | GALV. NUT M4 | 2 |
| 12 | 003.00.00588 | CAPACITOR 5MF | 1 |



DETAIL A
SCALE 2 : 5



SCALE 1 : 15

SERIES DESCRIPTION: GLASS WASHER

MODEL DESCRIPTION: B35

ITEM CODE:

MODEL VERSION: BARLINE 35
230V ~N, 50/60Hz

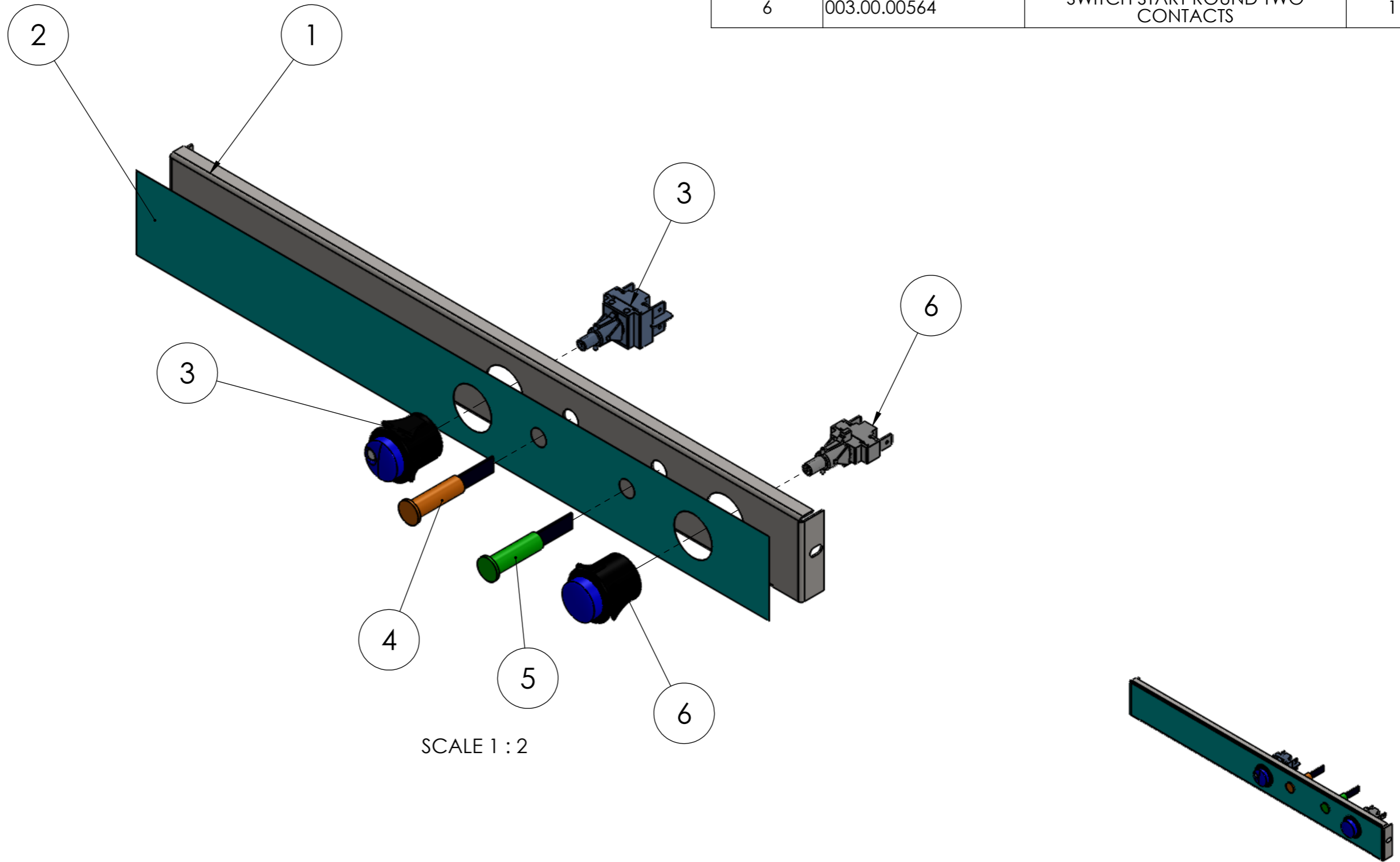
ITEM DESCRIPTION: ELECTRICAL EQUIPMENT

MODEL CODE: 004.35.00000

PAGE: 1

REVISION: 0

| ITEM NO. | PART NUMBER | DESCRIPTION | QTY. |
|----------|--------------|---------------------------------|------|
| 1 | 001.35.00063 | SWITCH PANEL INOX FOR B35 | 1 |
| 2 | 003.35.00000 | MEMBRANE FOR B35 | 1 |
| 3 | 003.00.00563 | SWITCH ON-OFF ROUND 4 CONT. | 1 |
| 4 | 003.00.00028 | INDICATOR ORANGE | 1 |
| 5 | 003.00.00176 | INDICATOR GREEN | 1 |
| 6 | 003.00.00564 | SWITCH START ROUND TWO CONTACTS | 1 |



ITEM CODE:003.35.00001

ITEM DESCRIPTION: DISPLAY PANEL COMPLETE B35

SERIES DESCRIPTION: GLASS WASHER

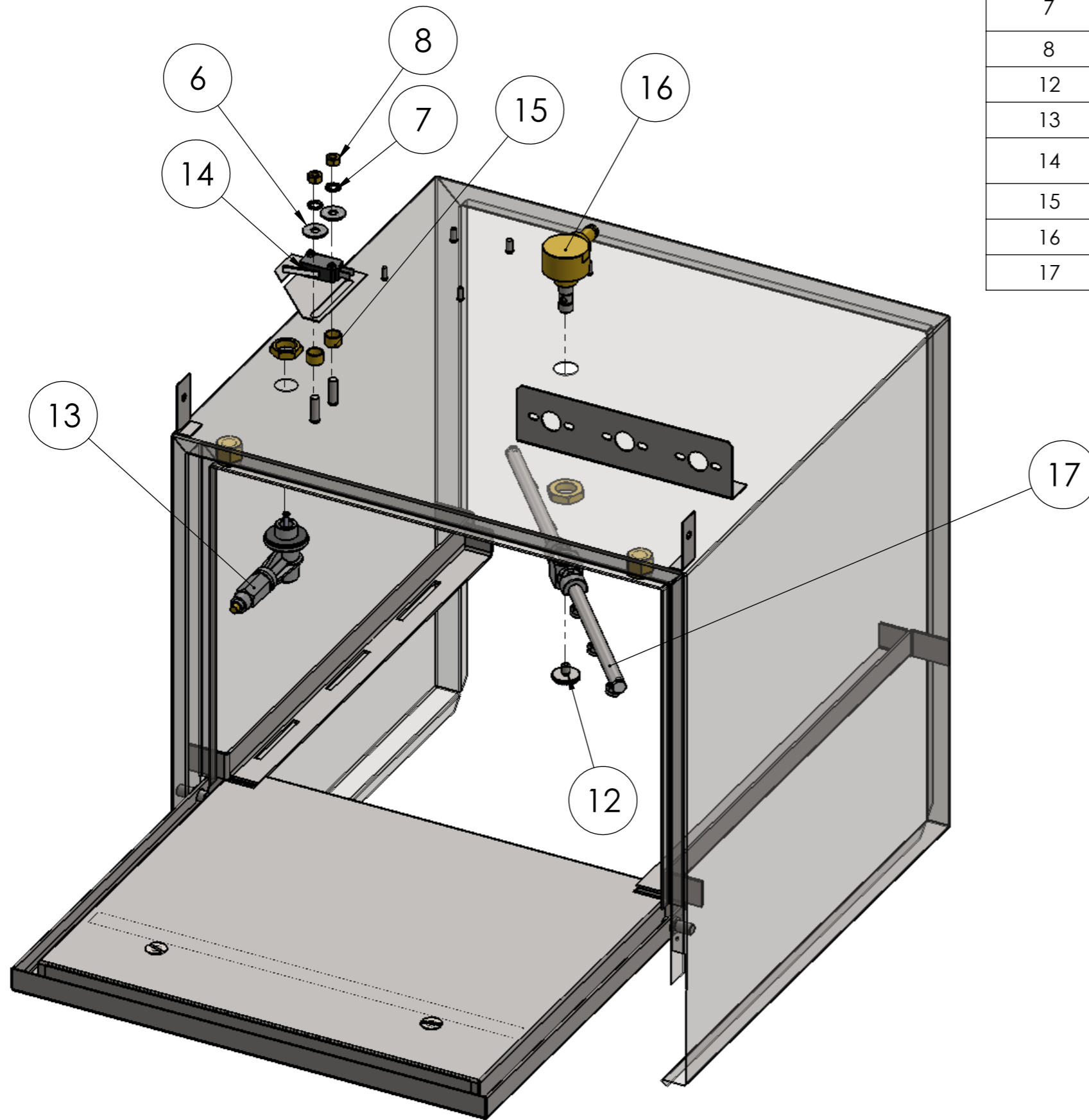
MODEL DESCRIPTION: B35

MODEL VERSION: BARLINE 35
230V ~N, 50/60Hz

MODEL CODE: 004.35.00000

PAGE: 1

REVISION: 0



| ITEM NO. | PART NUMBER | DESCRIPTION | QTY. |
|----------|----------------|---|------|
| 6 | 003.00.00516 | WASHER STEEL $\Phi 6 \times 18$ | 2 |
| 7 | 001.00.00204 | GALVANIZED LOCK WASHER 6,4x11x0,7 | 2 |
| 8 | 003.00.00041 | GALVANIZED NUT M6 | 2 |
| 12 | 002.50.00004-1 | LOCK NUT FOR RINSING ARM | 1 |
| 13 | 003.00.00231 | DOOR SWITCH MECH. PART | 1 |
| 14 | 003.00.00426 | DOOR SWITCH ELECTRICAL PART COMPLETE | 1 |
| 15 | 003.00.00085 | SPACER FOR DOOR SWITCH | 2 |
| 16 | 002.35.00029 | UPPER RINSING BASE COMPLETE | 1 |
| 17 | 002.35.00023 | RINSING UPPER GROUP BL35 | 1 |

ITEM CODE:

ITEM DESCRIPTION: MECHANICAL EQUIPMENT

SERIES DESCRIPTION: GLASS WASHER

MODEL DESCRIPTION: B35

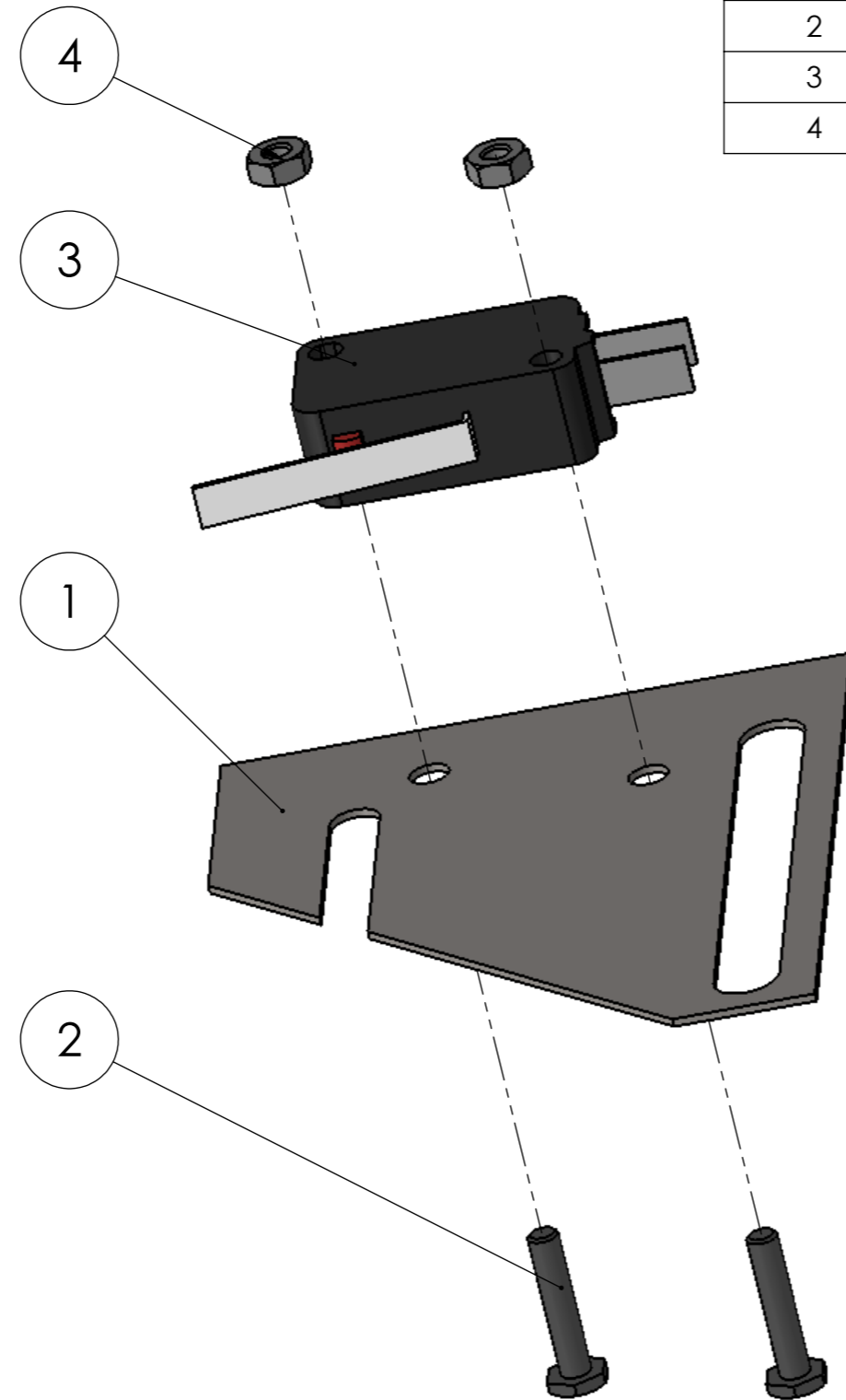
MODEL VERSION: BARLINE 35
230V ~N, 50/60Hz

MODEL CODE: 004.35.00000

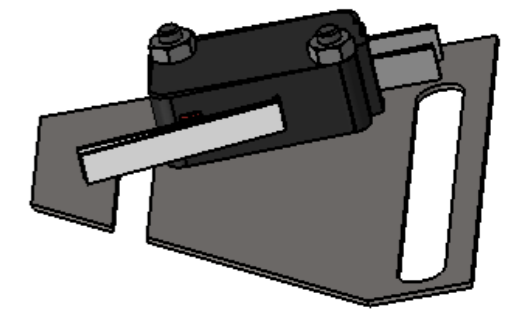
PAGE: 1

REVISION: 0

| ITEM NO. | PART NUMBER | DESCRIPTION | VERGINA/QTY. |
|----------|--------------|--|--------------|
| 1 | 003.00.00077 | BASE INOX FOR THE ELECTRICAL DOOR SWITCH | 1 |
| 2 | 003.00.00065 | GALV. HEX. BOLT M3X16 | 2 |
| 3 | 003.00.00069 | DOOR MICRO SWITCH | 1 |
| 4 | 002.00.00090 | GALV. NUT M3 | 2 |

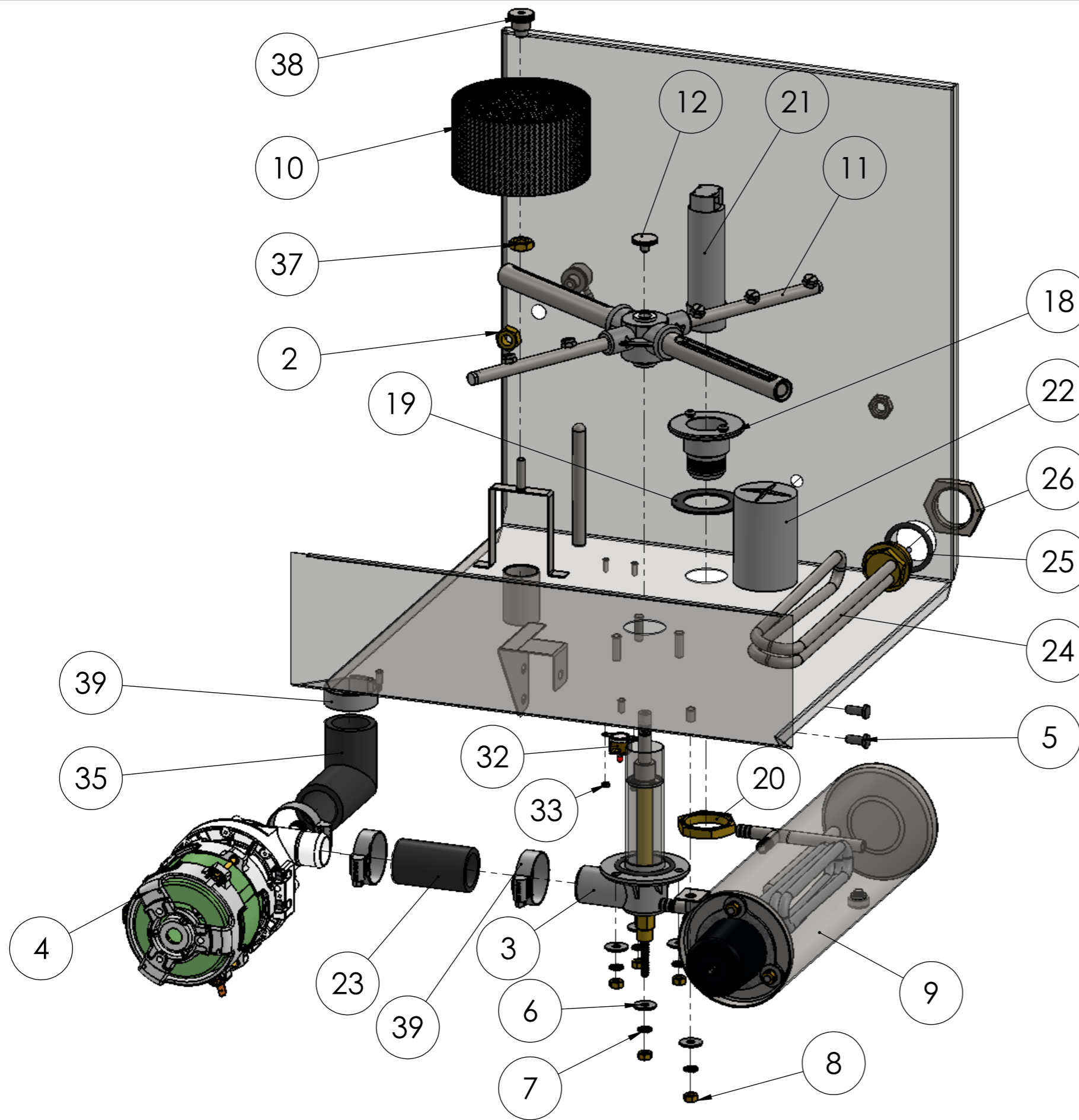


SCALE 1.5 : 1



SCALE 1 : 1

| | | | | | | | |
|----------------------------------|--|---|--|--------------------------|---|---------|-------------|
| SERIES DESCRIPTION: GLASS WASHER | | MODEL DESCRIPTION: B35 | | ITEM CODE: 003.00.00426 | ITEM DESCRIPTION: ELECTRICAL DOOR SWITCH COMPLETE | | |
| | | MODEL VERSION: BARLINE 35 230V ~N, 50/60Hz | | MODEL CODE: 004.35.00000 | | PAGE: 1 | REVISION: 0 |



| ITEM NO. | PART NUMBER | DESCRIPTION | QTY. |
|----------|----------------|--|------|
| 2 | 002.00.00233 | DETERGENT TANK INJECTOR | 1 |
| 3 | 002.35.00041 | LOWER WASH & RINSE BASE COMPLETE | 1 |
| 4 | 003.00.00060 | PUMP 0,10 HP 50HZ 230V | 1 |
| 5 | 003.00.00485 | M6 GALVANISED BOLT | 2 |
| 6 | 003.00.00516 | WASHER STEEL $\Phi 6 \times 18$ | 5 |
| 7 | 001.00.00204 | GALVANIZED LOCK WASHER 6,4x11x0,7 | 5 |
| 8 | 003.00.00041 | GALVANIZED NUT M6 | 5 |
| 9 | 006.35.00001 | BOILER WITH HEATING ELEMENT COMPLETE B35 | 1 |
| 10 | 002.70.00000-1 | FILTER IN THE TANK FOR THE PUMP B35 | 1 |
| 11 | 002.35.00035 | WASH AND RINSE CROSS COMPLETE B35 | 1 |
| 12 | 002.50.00004-1 | LOCK NUT FOR RINSING ARM | 1 |
| 18 | 002.00.00257 | DRAIN AND OVERFLOW VALVE PLASTIC BASE | 1 |
| 19 | 002.00.00238 | RUBBER GASKET 35X55X1 | 1 |
| 20 | 002.00.00133 | BRONZE NUT M36 | 1 |
| 21 | 002.30.00007 | DRAIN AND OVERFLOW VALVE PLASTIC PART | 1 |
| 22 | 003.00.00552 | PRESSOSTAT CHAMBER B35 | 1 |
| 23 | 002.35.00025 | WASH PUMP HOSE BL35 $\Phi 28$ | 1 |
| 24 | 003.30.00000 | HEATING ELEMENT TANK BL | 1 |
| 25 | 002.00.00096 | O-RING 31.5 X 3.5 | 1 |
| 26 | 002.00.00086 | NUT 1" | 1 |
| 32 | 003.00.00168 | TANK THERMOFUSE 90°C | 1 |
| 33 | 002.00.00090 | GALV. NUT M3 | 2 |
| 35 | 002..35.00048 | PUMP INLET HOSE | 1 |
| 37 | 001.00.00093 | M10 NUT INOX | 1 |
| 38 | 001.00.00017 | FILTER RETAINING NUT | 1 |
| 39 | 002.00.00048 | CLAMP 25-40 | 4 |

ITEM CODE:

ITEM DESCRIPTION: MECHANICAL EQUIPMENT

SERIES DESCRIPTION: GLASS WASHER

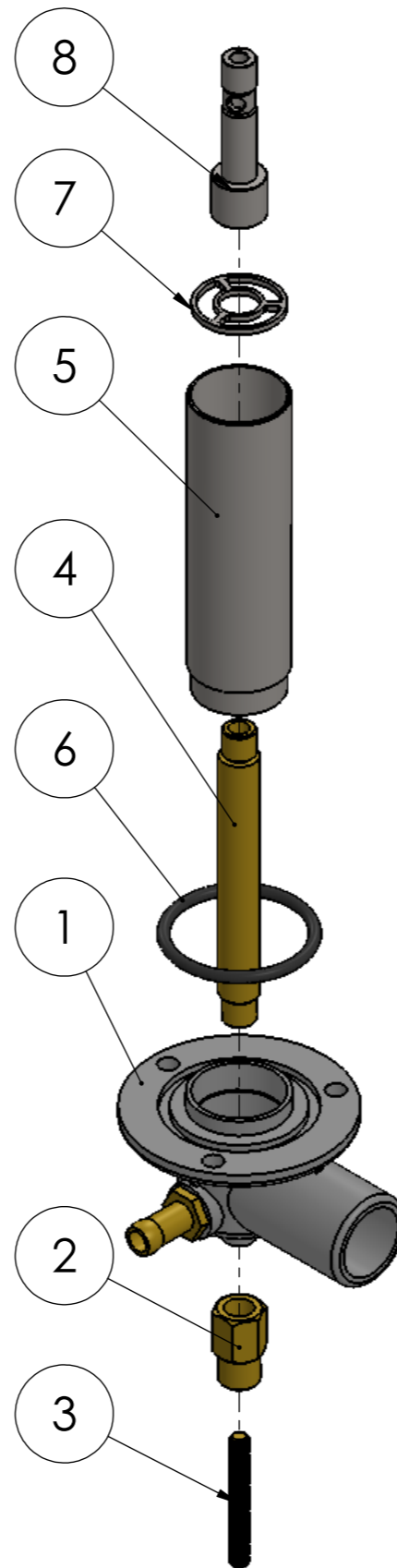
MODEL DESCRIPTION: B35

MODEL VERSION: BARLINE 35
230V ~N, 50/60Hz

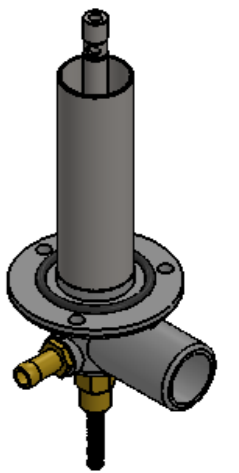
MODEL CODE: 004.35.00000

PAGE: 2

REVISION: 0



| ITEM NO. | PART NUMBER | DESCRIPTION | QTY. |
|----------|--------------|------------------------------------|------|
| 1 | 002.35.00019 | BOTTOM PLASTIC BASE B35 | 1 |
| 2 | 002.35.00024 | HEXAGON BRONZE SPACER 4X25 M6 | 1 |
| 3 | 002.35.00046 | BRONZE SHAFT M6X45 | 1 |
| 4 | 002.35.00015 | BRONZE SHAFT Φ 12X102 M10 B35 | 1 |
| 5 | 002.35.00007 | WASHING BASE INOX PIPE Φ 30 | 1 |
| 6 | 002.00.00092 | ORING Φ 40X3,5 | 1 |
| 7 | 002.35.00006 | INOX ROUND SPACER Φ 30 | 1 |
| 8 | 002.35.00016 | INOX AXLE Φ 16 M6 | 1 |



SCALE 1 : 3

ITEM CODE: 002.35.00041

ITEM DESCRIPTION: LOWER WASH & RINSE BASE COMPLETE

SERIES DESCRIPTION: GLASS WASHER

MODEL DESCRIPTION: B35

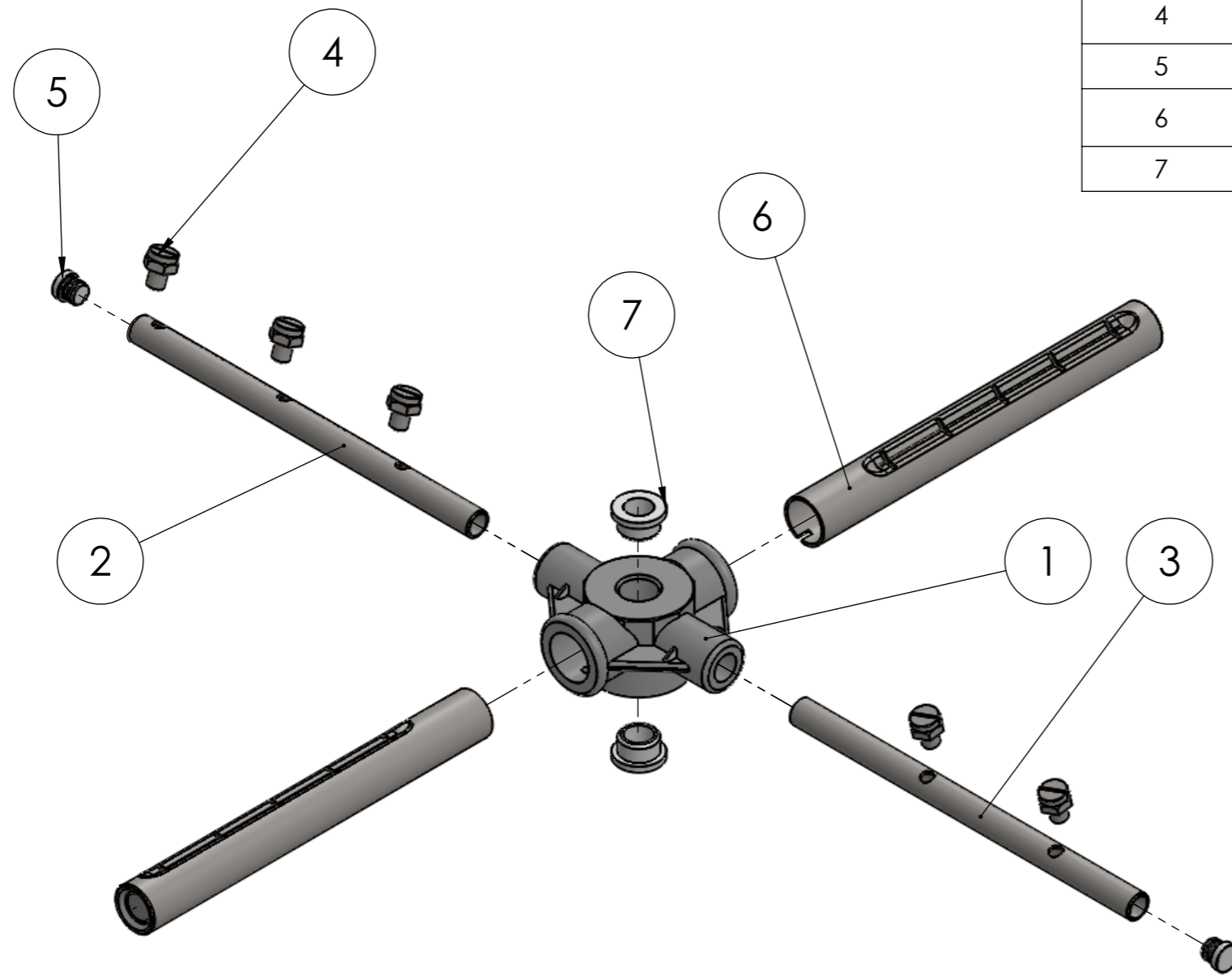
MODEL VERSION: BARLINE35
230V~N, 50/60Hz

MODEL CODE: 004.35.00000

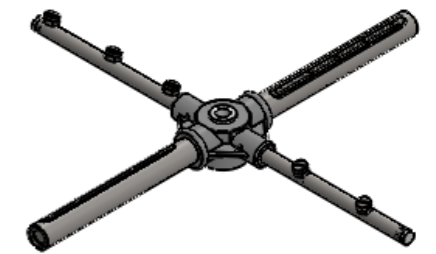
PAGE: 1

REVISION: 0

| ITEM NO. | PART NUMBER | DESCRIPTION | QTY. |
|----------|----------------|--|------|
| 1 | 002.35.00018 | RINSING-WASHING GROUP CROSS BL-EU | 1 |
| 2 | 002.35.00022-B | RINSING ARM-B | 1 |
| 3 | 002.35.00022-A | RINSING ARM-A | 1 |
| 4 | 002.11.00008 | SPRAYER FOR RINSING ARM BL,EU,VE,KN,1500 | 5 |
| 5 | 002.35.00047 | CAP FOR RINSE ARMS | 2 |
| 6 | 002.35.00043 | WASHING ARM BL 35 INOX Φ18 X 1 X 157 mm | 2 |
| 7 | 002.35.00026 | TEFLON Φ18 X 10 | 2 |

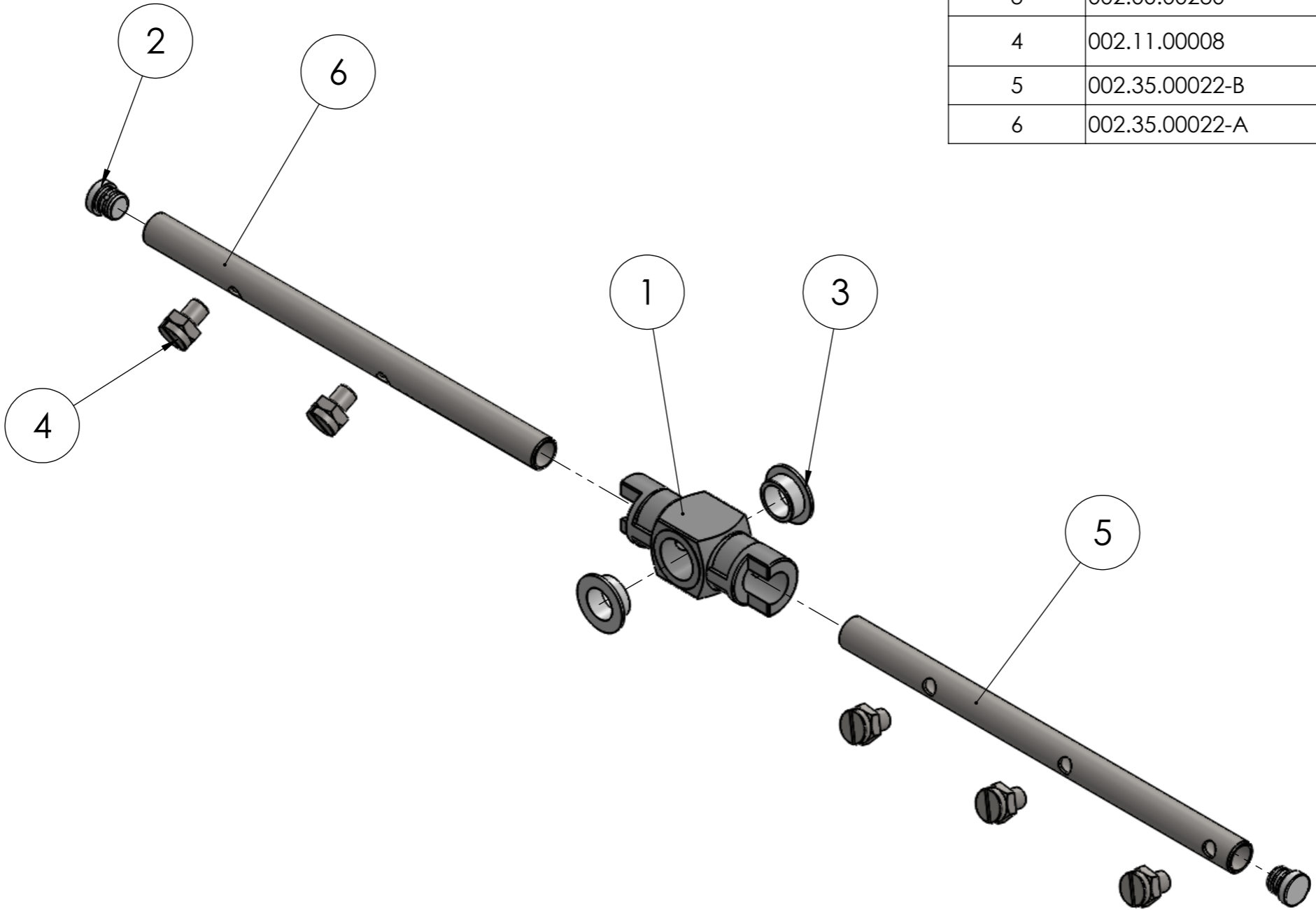


SCALE 1 : 2

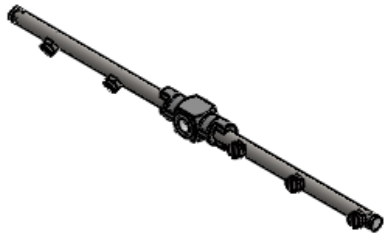


| | | | | | | | |
|----------------------------------|--|---|--|--------------------------|---|---------|-------------|
| SERIES DESCRIPTION: GLASS WASHER | | MODEL DESCRIPTION: B35 | | ITEM CODE: 002.35.00035 | ITEM DESCRIPTION: RINSING AND WASHING CROSS BL-EU | | |
| | | MODEL VERSION: BARLINE 35 230V ~N, 50/60Hz | | MODEL CODE: 004.35.00000 | | PAGE: 1 | REVISION: 0 |

| ITEM NO. | PART NUMBER | DESCRIPTION | QTY. |
|----------|----------------|---|------|
| 1 | 002.50.00025 | PLASTIC BASE FOR RINSING ARMS | 1 |
| 2 | 002.35.00047 | CAP FOR RINSE ARMS | 2 |
| 3 | 002.00.00230 | TEFLON Φ 18X6 | 2 |
| 4 | 002.11.00008 | SPRAYER FOR RINSING ARM BL,EU,VE,KN,1500 | 5 |
| 5 | 002.35.00022-B | RINSING ARM-B | 1 |
| 6 | 002.35.00022-A | RINSING ARM-A | 1 |

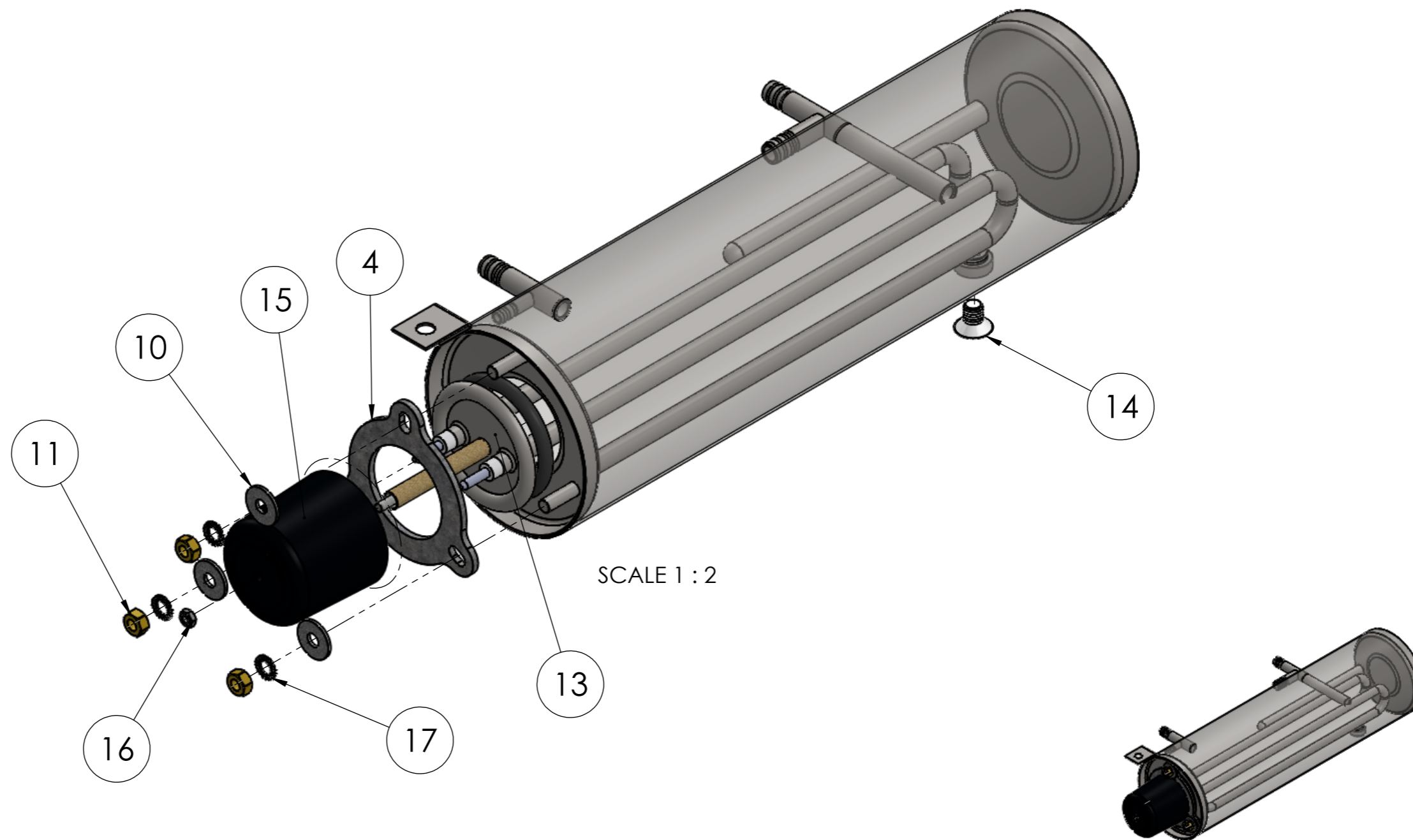


SCALE 1 : 1.5



| | | | | | | | |
|----------------------------------|--|---|--|--------------------------|--|---------|-------------|
| SERIES DESCRIPTION: GLASS WASHER | | MODEL DESCRIPTION: B35 | | ITEM CODE: 002.35.00023 | ITEM DESCRIPTION: RINSING UPPER GROUP BL35 | | |
| | | MODEL VERSION: BARLINE 35 230V ~N, 50/60Hz | | MODEL CODE: 004.35.00000 | | PAGE: 1 | REVISION: 0 |

| ITEM NO. | PART NUMBER | DESCRIPTION | QTY. |
|----------|--------------|-----------------------------------|------|
| 4 | 003.00.00260 | BOILER ELEMENT FITTING BASE | 1 |
| 10 | 003.00.00516 | WASHER STEEL $\Phi 6 \times 18$ | 3 |
| 11 | 003.00.00041 | GALVANIZED NUT M6 | 3 |
| 13 | 003.35.00009 | HEATING ELEMENT COMPLETE B35 | 1 |
| 14 | 003.00.00258 | STAINLESS CAP SCREW M8X12 | 1 |
| 15 | 003.00.00004 | HEATER ELEMENT COVER | 1 |
| 16 | 003.00.00046 | GALV. NUT M4 | 1 |
| 17 | 001.00.00204 | GALVANIZED LOCK WASHER 6,4x11x0,7 | 3 |



ITEM CODE: 006.35.00001

ITEM DESCRIPTION: BOILER WITH HEATING ELEMENT COMPLETE

SERIES DESCRIPTION: GLASS WASHER

MODEL DESCRIPTION: B35

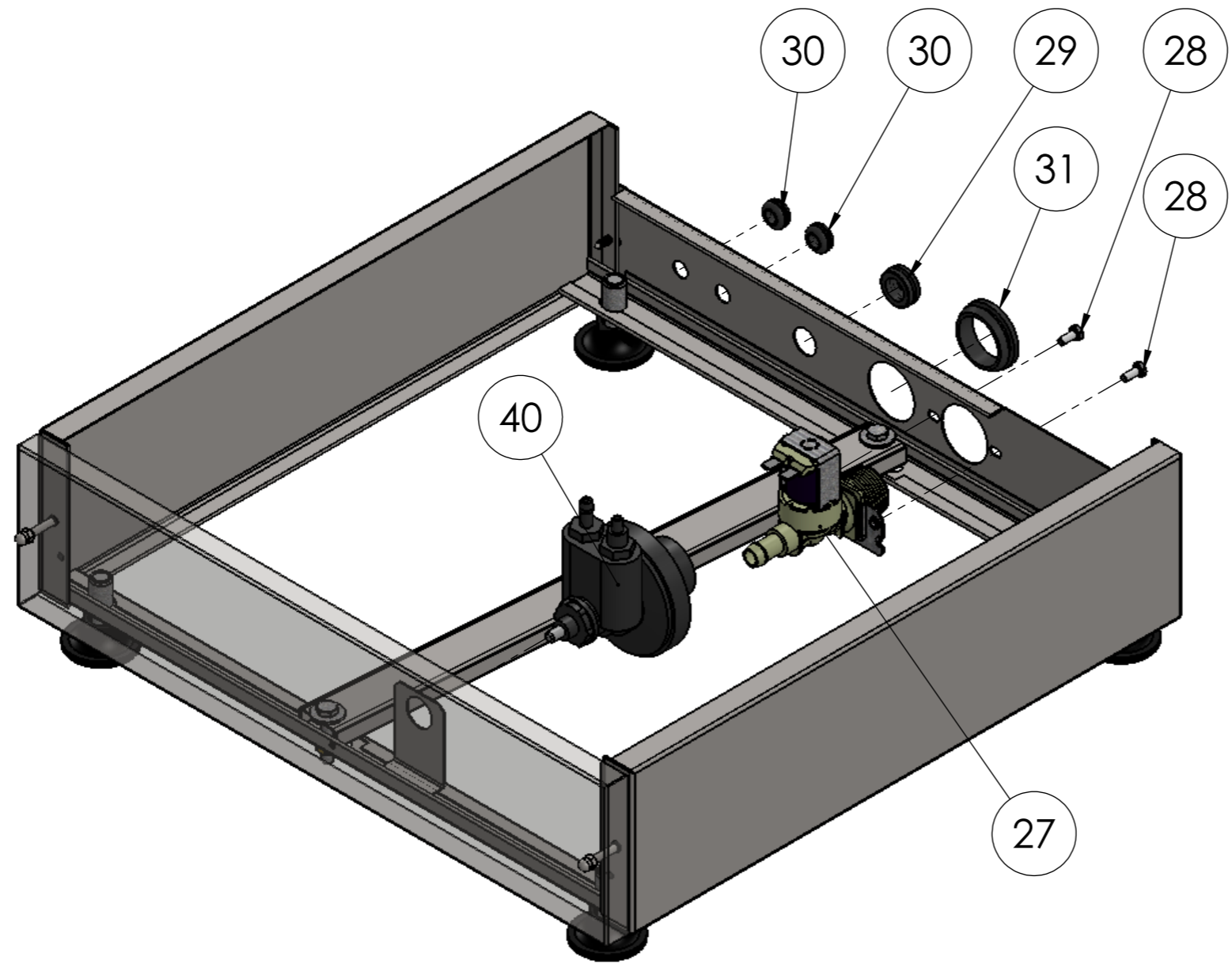
MODEL VERSION: BARLINE 35
230V ~N, 50/60Hz

MODEL CODE: 004.35.00000

PAGE: 1

REVISION: 0

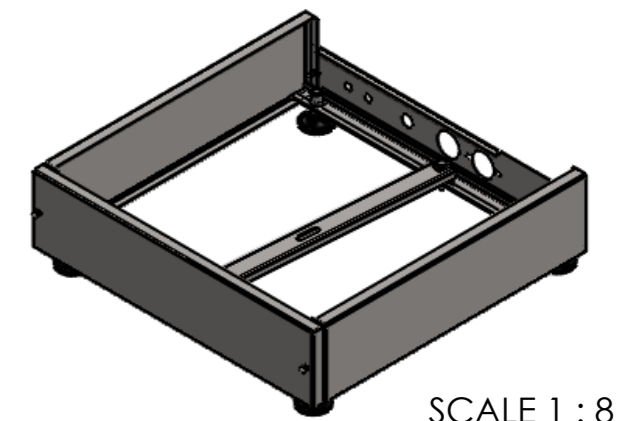
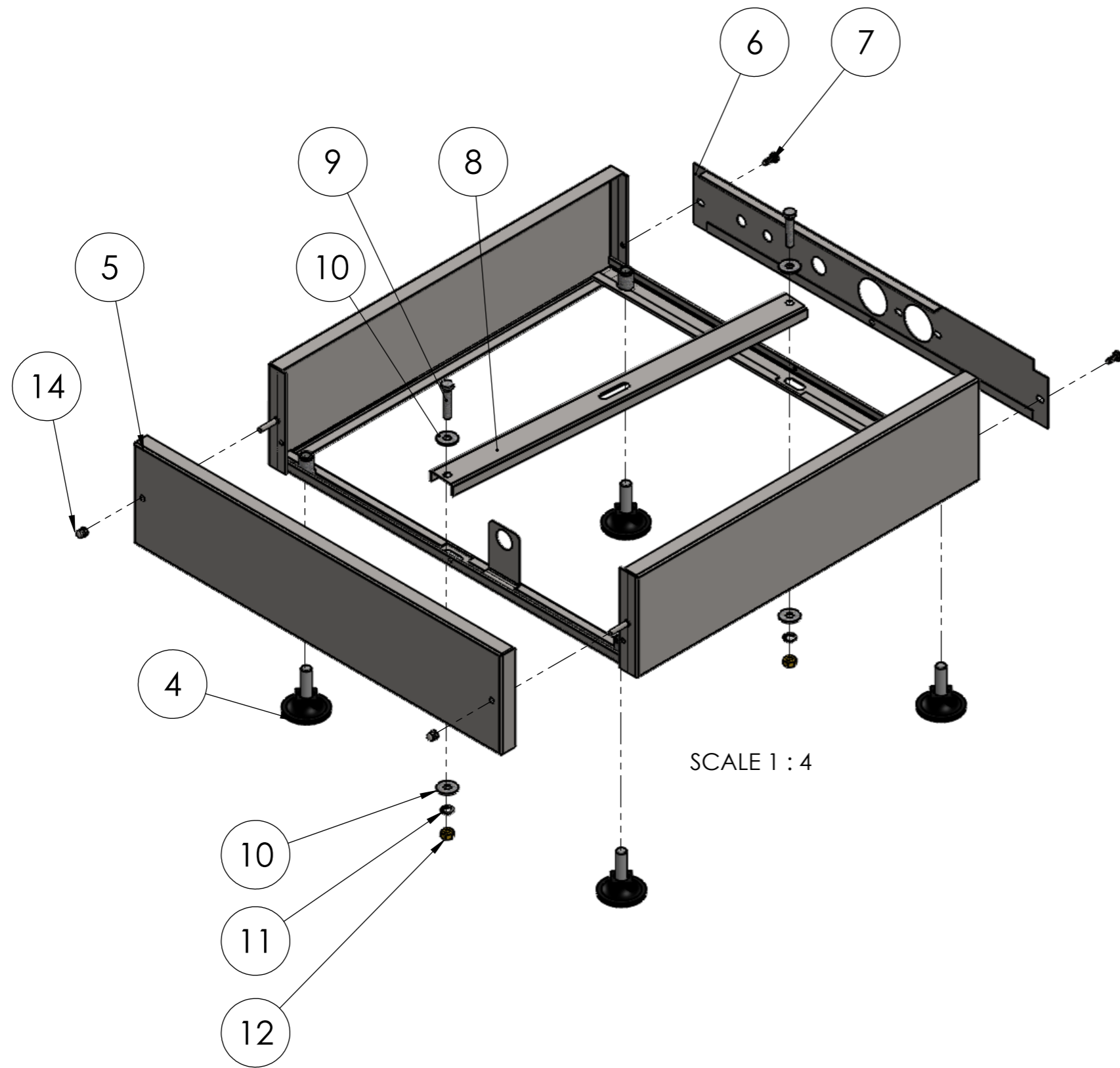
| ITEM NO. | PART NUMBER | DESCRIPTION | QTY. |
|----------|--------------|------------------------------|------|
| 27 | 003.00.00031 | WATER INPUT VALVE | 1 |
| 28 | 003.00.00278 | GALV. BOLT M4X10 | 2 |
| 29 | 003.00.00347 | RUBBER CABLE PROTECTION N.01 | 1 |
| 30 | 003.00.00025 | CABLE RUBBER PROTECTOR | 2 |
| 31 | 003.00.00466 | PIPE RUBBER PROTECTOR | 1 |
| 40 | 003.00.00268 | HYDRAULIC RINSE AID PUMP | 1 |



SCALE 1 : 3

| | | | | | | | |
|---|--|-------------------------------|--|---------------------------------|--|---|--|
| SERIES DESCRIPTION: GLASS WASHER | | MODEL DESCRIPTION: B35 | | ITEM CODE: | | ITEM DESCRIPTION: MECHANICAL EQUIPMENT | |
| MODEL VERSION: BARLINE 35 | | 230V ~N, 50/60Hz | | MODEL CODE: 004.35.00000 | | PAGE: 3 | |
| | | | | | | REVISION: 0 | |

| ITEM NO. | PART NUMBER | DESCRIPTION | QTY. |
|----------|--------------|---|------|
| 4 | 001.00.00016 | SMALL BLACK FOOT V500 | 4 |
| 5 | 001.35.00014 | BASE INOX FRONT COVER B35 | 1 |
| 6 | 001.35.00017 | BASE INOX BACK COVER B35 | 1 |
| 7 | 003.00.00309 | INOX TAPPING SCREW $\Phi 4,2 \times 13$ | 2 |
| 8 | 001.35.00018 | INOX STIFFENING PART B35 | 1 |
| 9 | 003.00.00286 | GALVANIZED HEX BOLT M6X25 | 2 |
| 10 | 003.00.00516 | WASHER STEEL $\Phi 6 \times 18$ | 4 |
| 11 | 001.00.00204 | GALVANIZED LOCK WASHER 6,4x11x0,7 | 2 |
| 12 | 003.00.00041 | GALVANIZED NUT M6 | 2 |
| 13 | 001.35.00033 | BASE FOR RINSE AID VALVE | 1 |
| 14 | 001.00.00117 | DOME NUT M4 | 2 |



| | | | | | | | |
|----------------------------------|--|---|--|--------------------------|--|-------------|--|
| SERIES DESCRIPTION: GLASS WASHER | | MODEL DESCRIPTION: B35 | | ITEM CODE: | ITEM DESCRIPTION: STEEL STRUCTURE (BASE) | | |
| | | MODEL VERSION: BARLINE 35 230V ~N, 50/60Hz | | MODEL CODE: 004.35.00000 | PAGE: 1 | REVISION: 0 | |