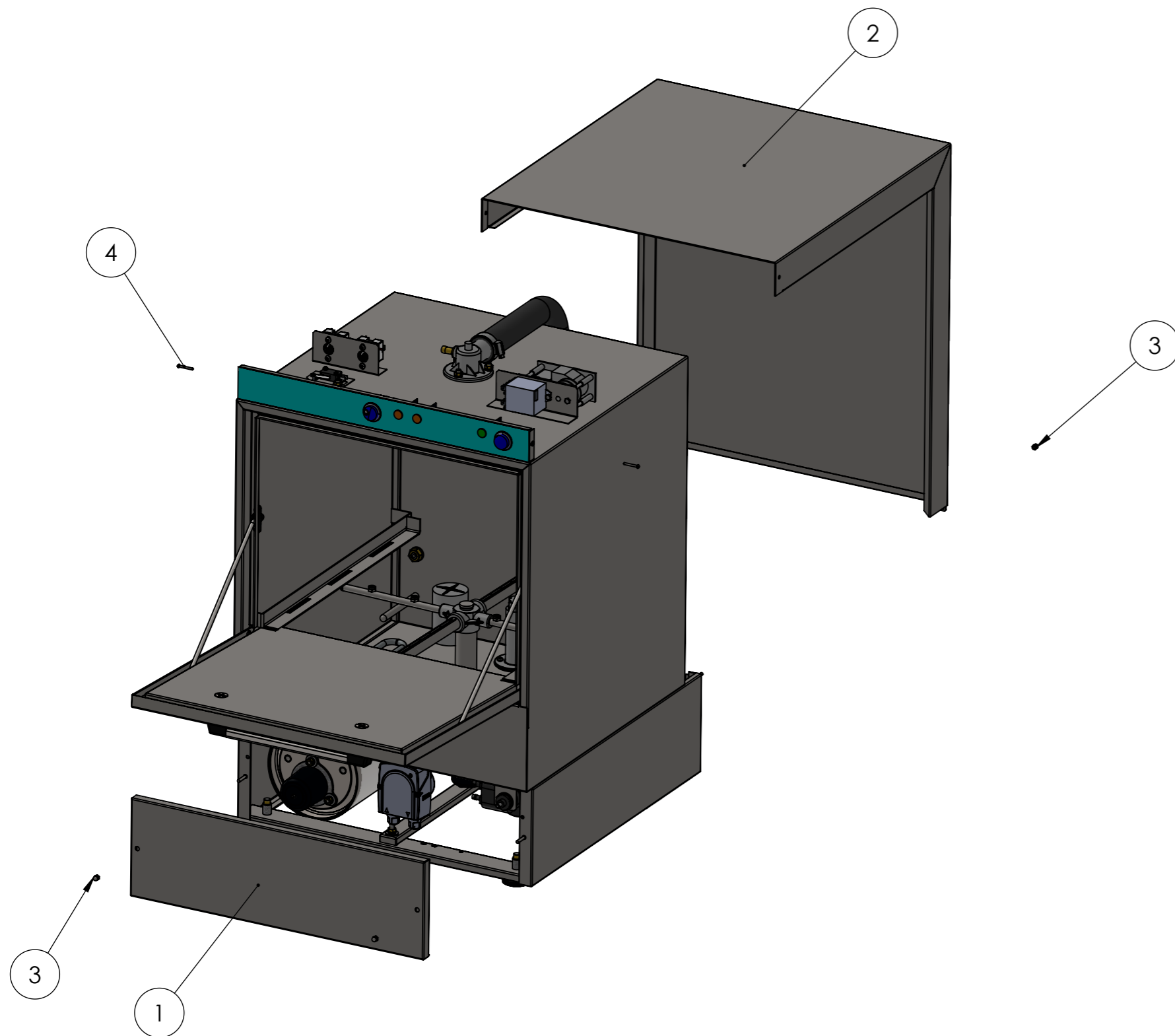


| ITEM NO. | PART NUMBER  | DESCRIPTION                | QTY. |
|----------|--------------|----------------------------|------|
| 1        | 001.40.00012 | COVER FRONT INOX EU40      | 1    |
| 2        | 001.40.00014 | COVER UPPER-BACK INOX EU40 | 1    |
| 3        | 001.00.00117 | DOME NUT M4                | 4    |
| 4        | 001.00.00213 | INOX SCREW M4X15           | 2    |



SERIES DESCRIPTION:  
DISH WASHER

MODEL DESCRIPTION:  
E40

MODEL VERSION:  
EUROLINE 40 230V ~N,  
50/60 Hz

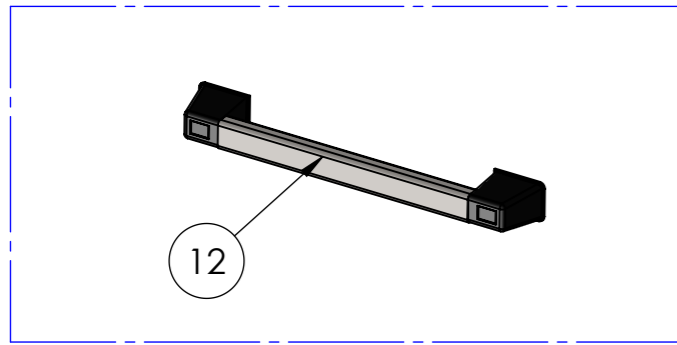
ITEM CODE:

ITEM DESCRIPTION:

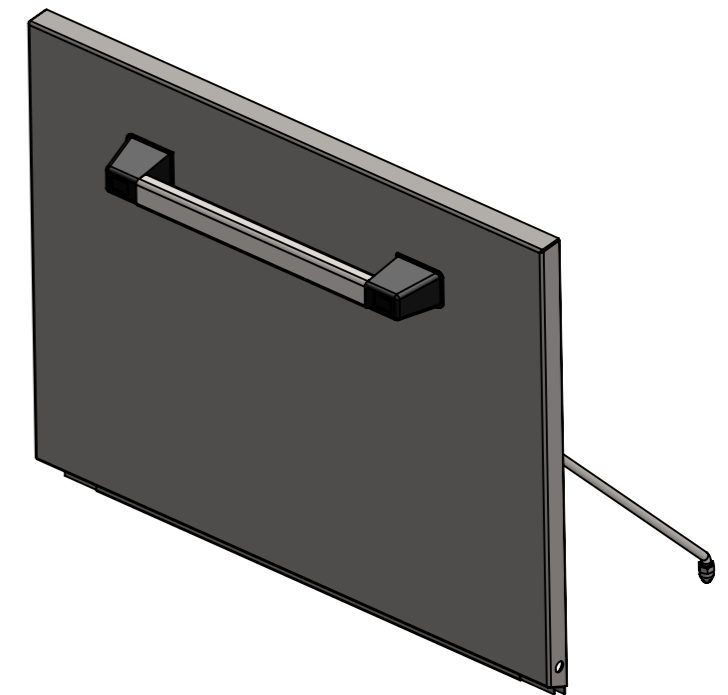
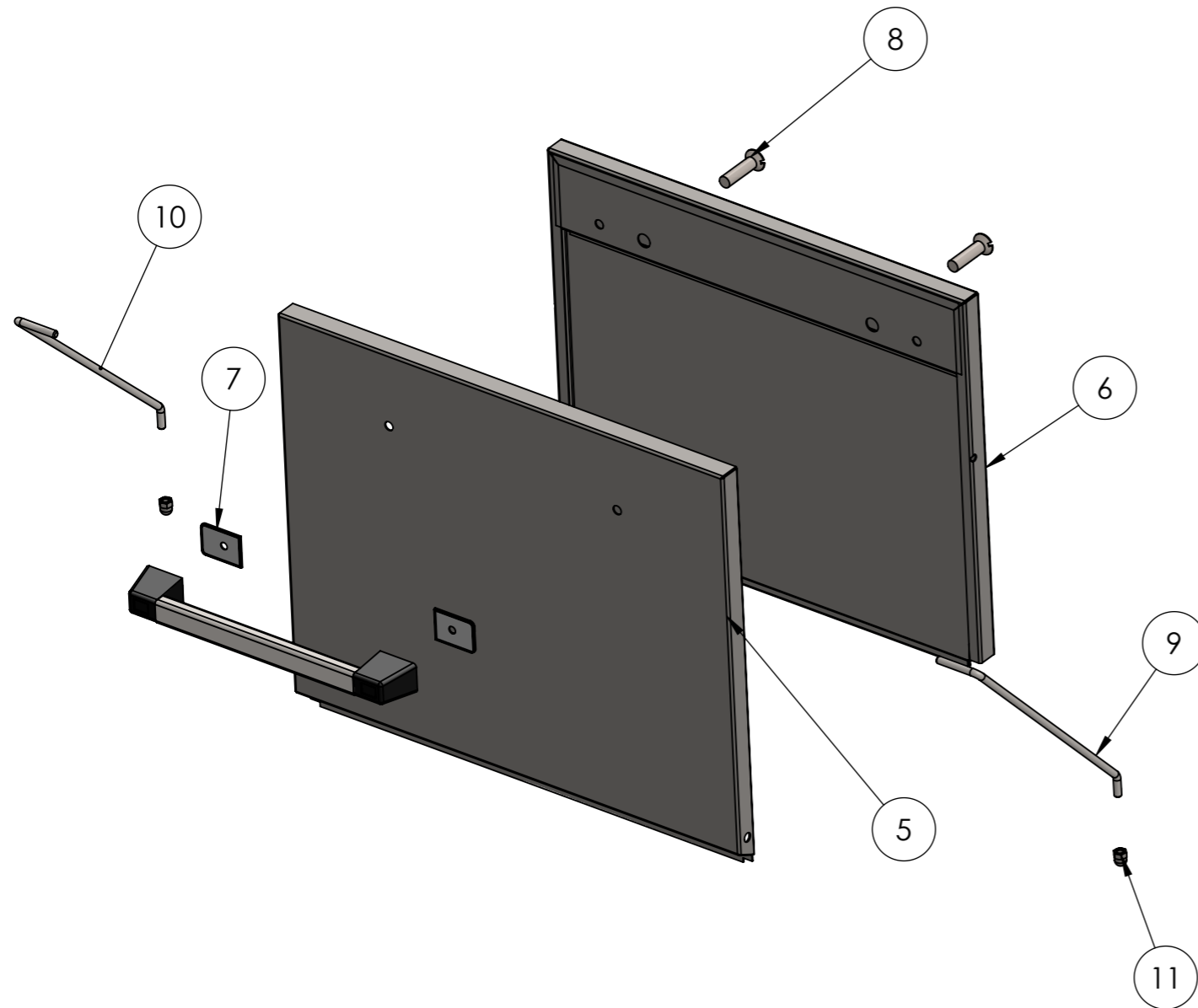
MODEL CODE:  
004.40.00001

PAGE:  
1

REVISION:  
0.0



| ITEM NO. | PART NUMBER    | DESCRIPTION                       | QTY. |
|----------|----------------|-----------------------------------|------|
| 5        | 001.40.00008   | FRONT PART OF THE DOOR E40        | 1    |
| 6        | 001.40.00005   | BACK PART OF THE DOOR E40         | 1    |
| 7        | 002.00.00057   | DOOR HANDLE PLASTIC FLANGE        | 2    |
| 8        | 003.00.00211   | INOX COUNTERSUNK BOLD<br>M8X30    | 2    |
| 9        | 001.00.00048   | DOOR RIGHT SUPPORT AXLE<br>M6X300 | 1    |
| 10       | 001.00.00048-M | DOOR LEFT SUPPORT AXLE<br>M6X300  | 1    |
| 11       | 001.00.00110   | DOMED CAP NUT M6                  | 2    |
| 12       | 001.00.00119   | DOOR HANDLECOMPLETE BL-EU         | 1    |



SERIES DESCRIPTION:  
DISH WASHER

MODEL DESCRIPTION:  
E40

MODEL VERSION:  
EUROLINE 40 230V ~N,  
50/60 Hz

ITEM CODE:  
001.40.00009

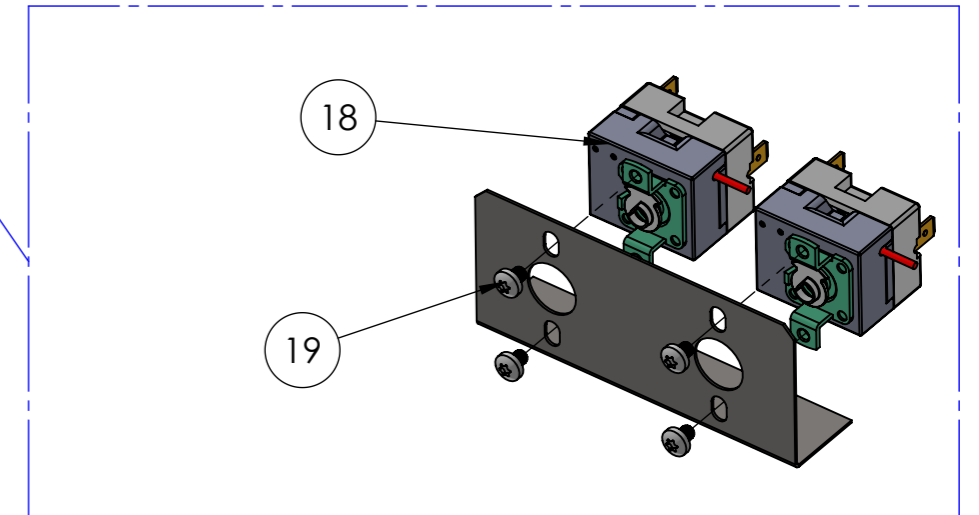
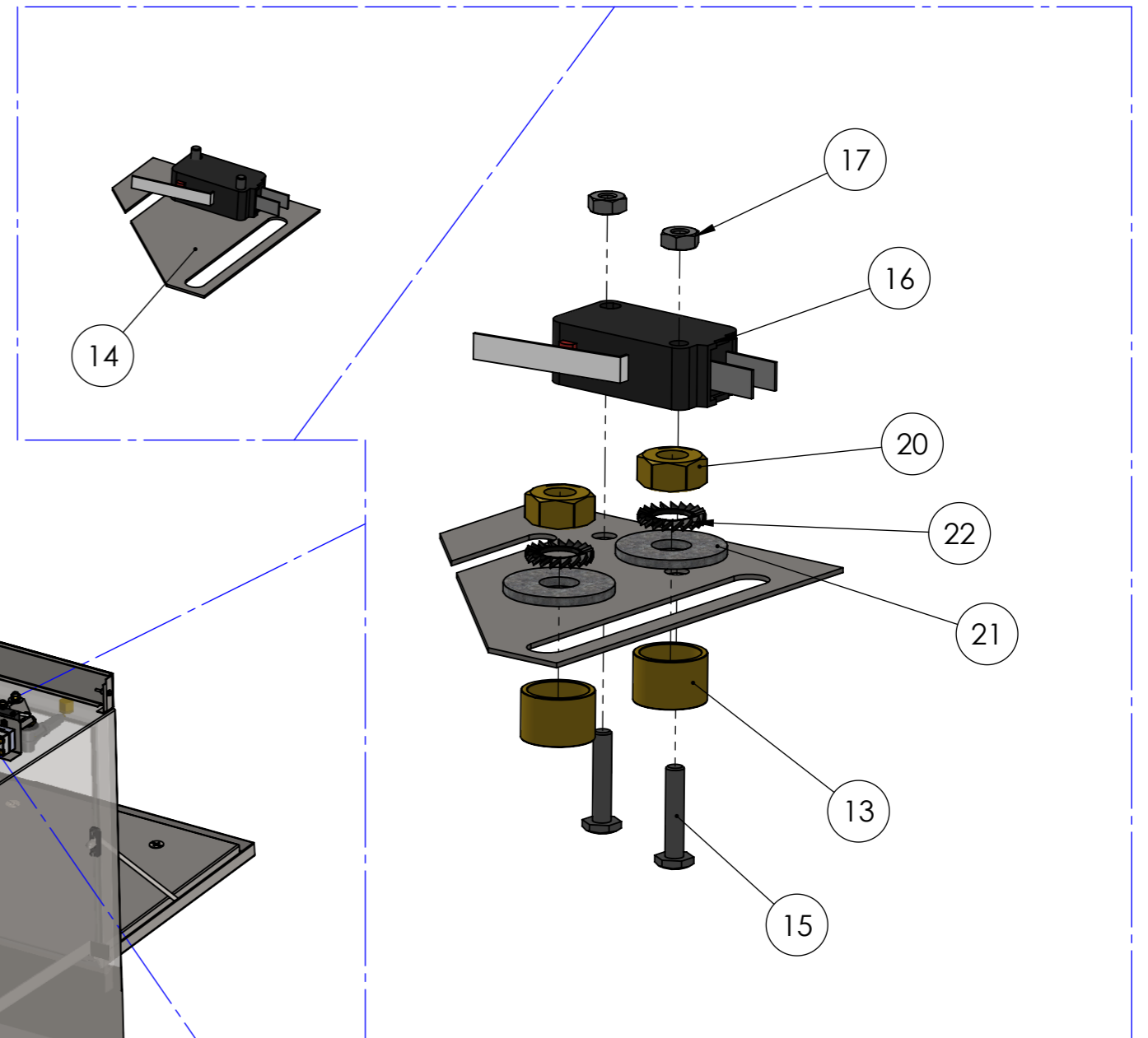
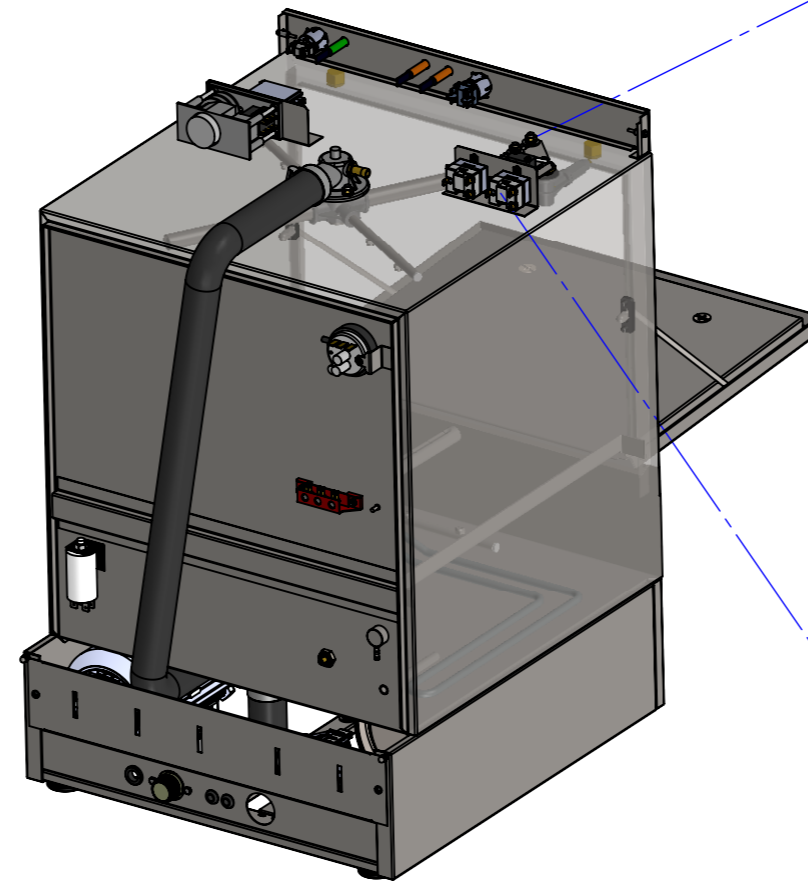
MODEL CODE:  
004.40.00001

ITEM DESCRIPTION:  
DOOR COMPLETE E40

PAGE:  
2

REVISION:  
0.0

| ITEM NO. | PART NUMBER  | DESCRIPTION                            | QTY. |
|----------|--------------|--|------|
| 13       | 003.00.00085 | SPACER FOR DOOR SWITCH                 | 2    |
| 14       | 003.00.00426 | DOOR SWITCH EL. PART 35-40-50 COMPLETE | 1    |
| 15       | 003.00.00065 | GALV. HEX. BOLT M3X16                  | 2    |
| 16       | 003.00.00069 | DOOR MICROSWITCH 16A                   | 1    |
| 17       | 002.00.00090 | GALV. NUT M3                           | 2    |
| 18       | 003.00.00213 | THERMOSTAT 0-90°C 1500mm               | 2    |
| 19       | 001.00.00076 | GALVANIZED MACHINE SCREW M4 X 5        | 4    |
| 20       | 003.00.00041 | NUT M6 GALVANISED                      | 2    |
| 21       | 003.00.00516 | WASHER STEEL Φ6X18                     | 2    |
| 22       | 001.00.00204 | GALVANIZED LOCK WASHER 6,4x11x0,7      | 2    |



ITEM CODE:

ITEM DESCRIPTION:

SERIES DESCRIPTION:  
DISH WASHER

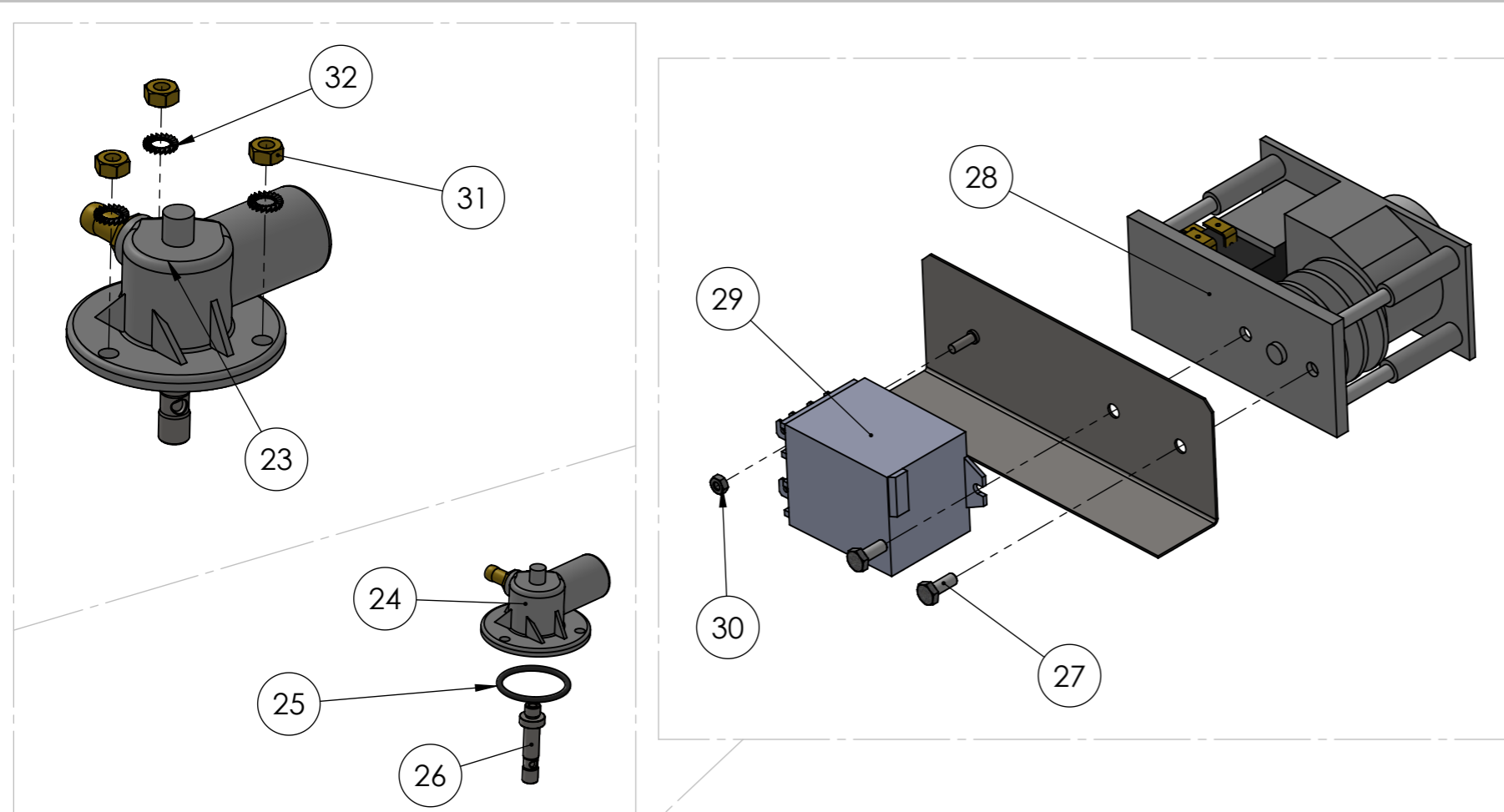
MODEL DESCRIPTION:  
E40

MODEL VERSION:  
EUROLINE 40 230V ~N,  
50/60 Hz

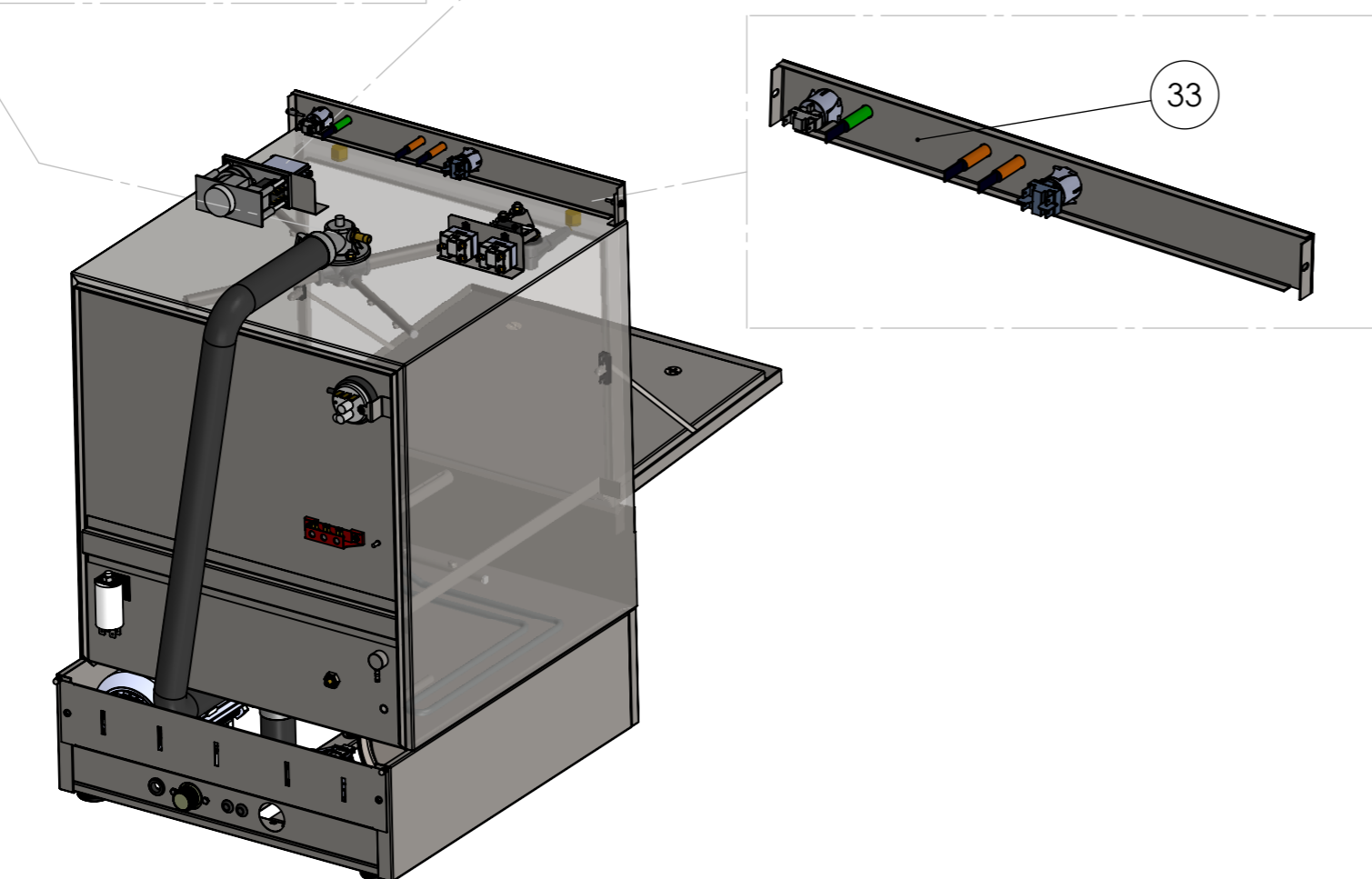
MODEL CODE:  
004.40.00001

PAGE:  
3

REVISION:  
0.0



| ITEM NO. | PART NUMBER                       | DESCRIPTION                          | QTY. |
|----------|-----------------------------------|--------------------------------------|------|
| 23       | 002.40.00014                      | UPPER WASH&RINSE BASE COMPLETE       | 1    |
| 24       | 002.35.00019                      | BOTTOM PLASTIC BASE B35              | 1    |
| 25       | 002.00.00092                      | ORING $\Phi 40 \times 3,5$           | 1    |
| 26       | 002.40.00001                      | INOX AXLE F16-M10 UP EU40            | 1    |
| 27       | 6-Kt.Schraube<br>DIN-933 M4x10-A2 | GALV. BOLT M4X10                     | 2    |
| 28       | 003.00.00448                      | TIMER 120 SEC. Q.START               | 1    |
| 29       | 003.00.00306                      | MICRORELAY 6PIN WITH FASTON          | 1    |
| 30       | 002.00.00090                      | GALV. NUT M3                         | 1    |
| 31       | 003.00.00041                      | NUT M6 GALVANISED                    | 3    |
| 32       | 001.00.00204                      | GALVANIZED LOCK WASHER<br>6,4x11x0,7 | 3    |
| 33       | 003.40.00009                      | DISPLAY PANEL COMPLETE<br>EU40       | 1    |



SERIES DESCRIPTION:  
DISH WASHER

MODEL DESCRIPTION:  
E40

MODEL VERSION:  
EUROLINE 40 230V ~N,  
50/60 Hz

ITEM CODE:

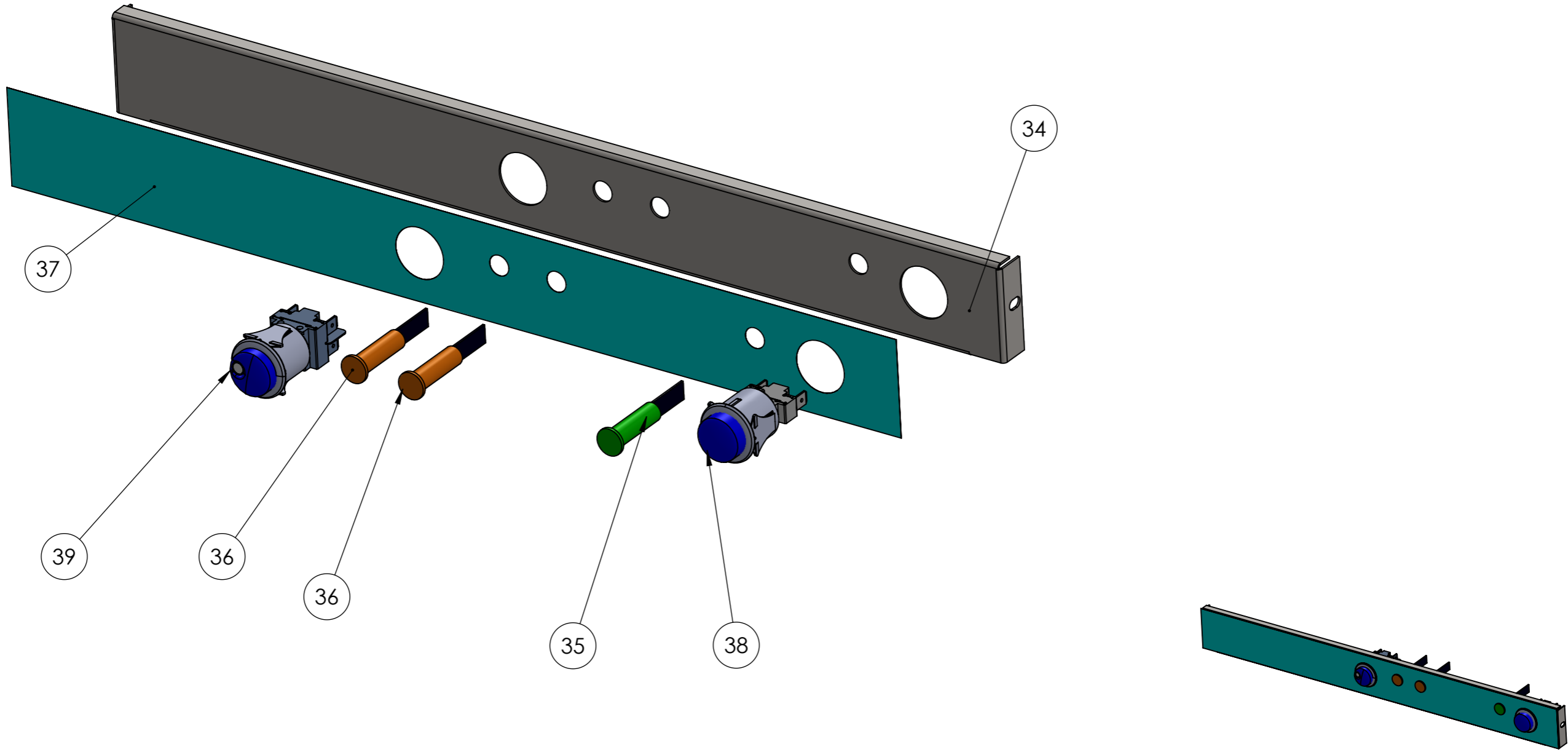
ITEM DESCRIPTION:

MODEL CODE:  
004.40.00001

PAGE:  
4

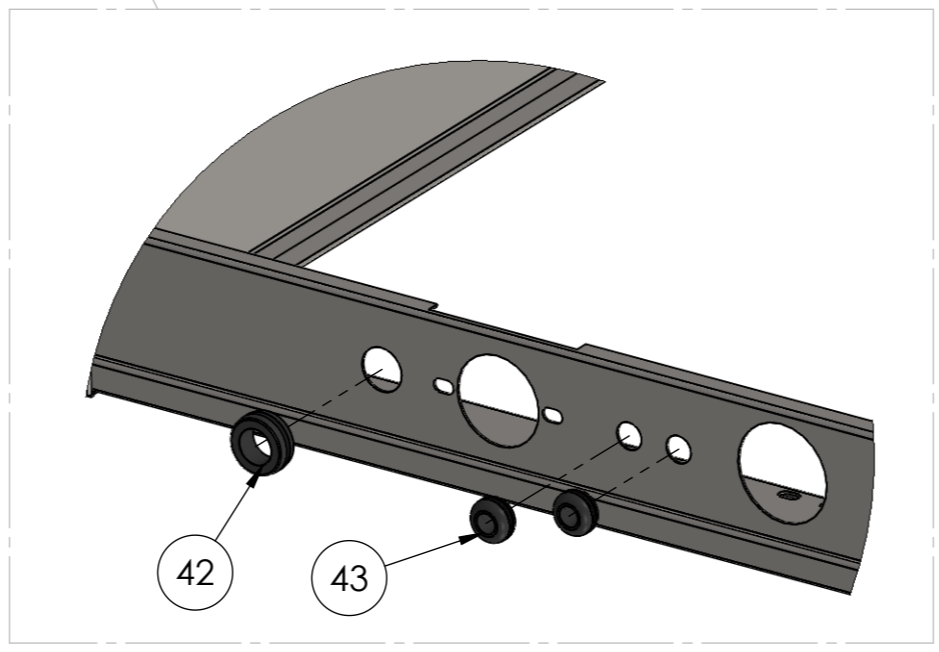
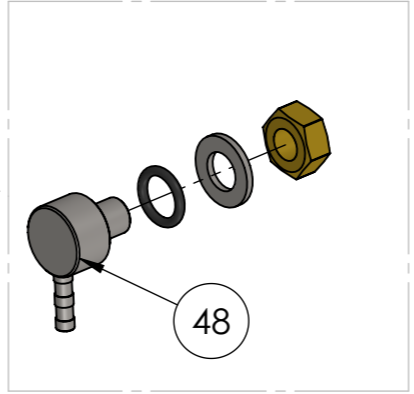
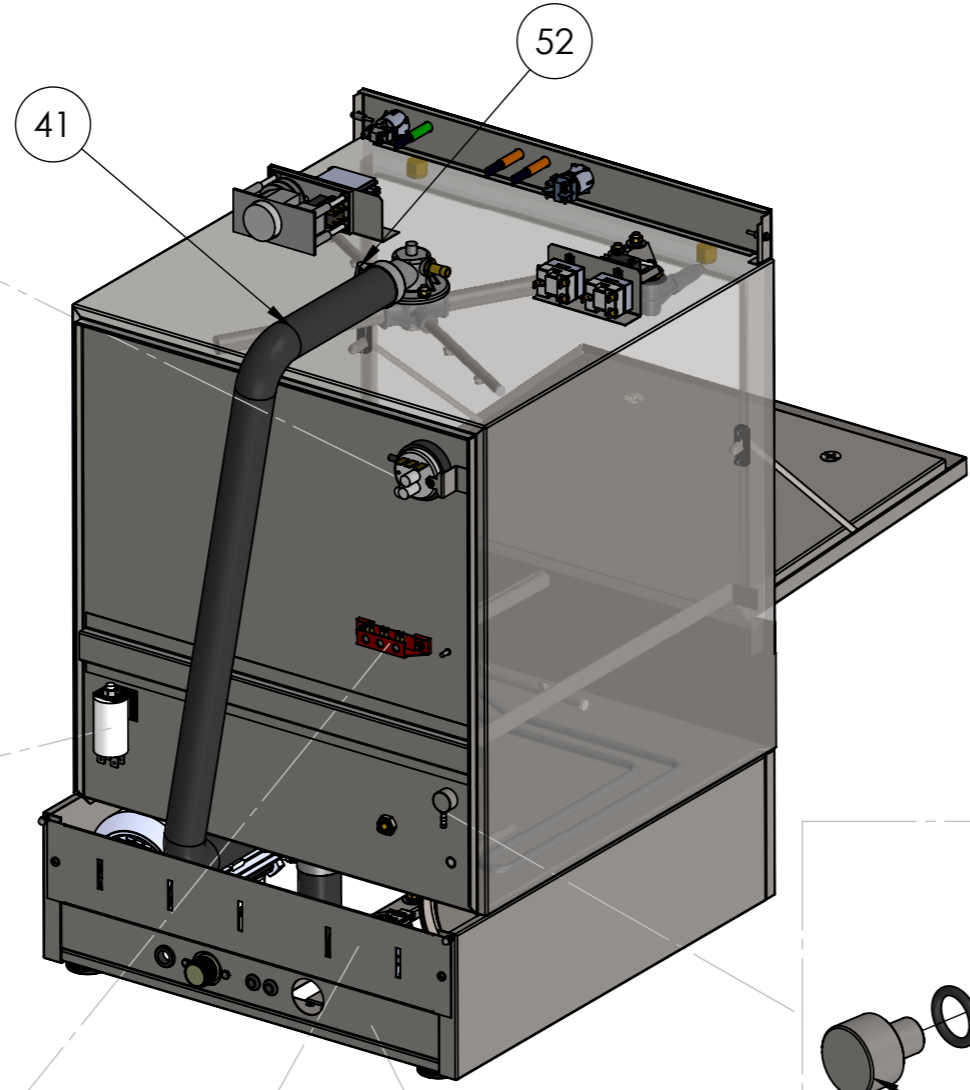
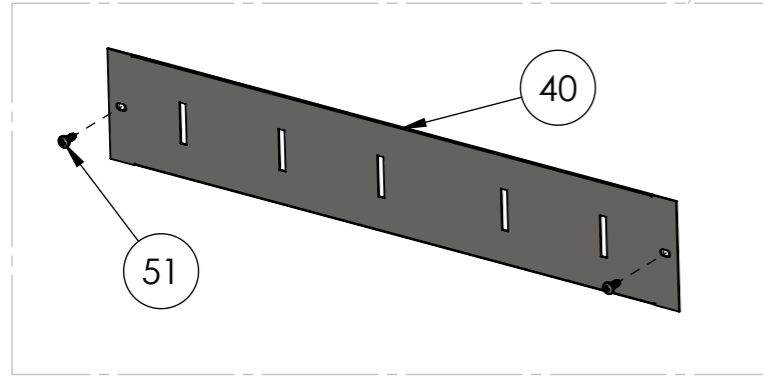
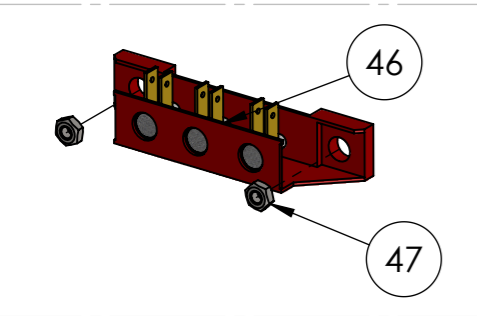
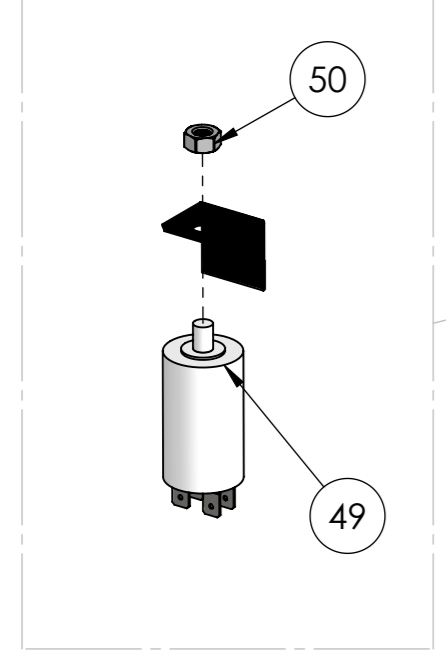
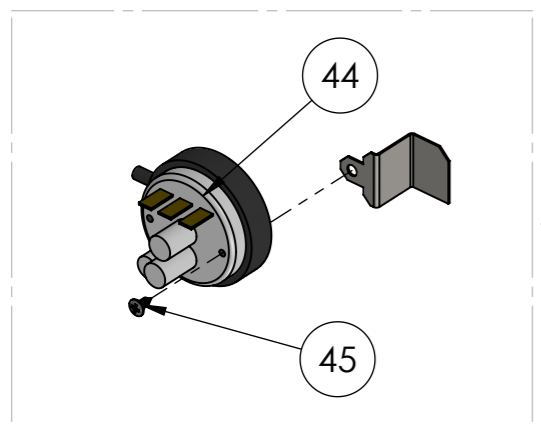
REVISION:  
0.0

| ITEM NO. | PART NUMBER  | DESCRIPTION                     | QTY. |
|----------|--------------|---------------------------------|------|
| 34       | 001.40.00027 | PANEL SWITCH INOX EU40          | 1    |
| 35       | 003.00.00176 | INDICATOR GREEN                 | 1    |
| 36       | 003.00.00028 | INDICATOR ORANGE                | 2    |
| 37       | 003.40.00019 | FILM EUROLINE 40                | 1    |
| 38       | 003.00.00564 | SWITCH START ROUND TWO CONTACTS | 1    |
| 39       | 003.00.00563 | SWITCH ON-OFF ROUND 4 CONT.     | 1    |



|                             |                   |
|-----------------------------|-------------------|
| ITEM CODE:<br>003.40.00009  | ITEM DESCRIPTION: |
| MODEL CODE:<br>004.40.00001 | PAGE:<br>5        |
|                             | REVISION:<br>0.0  |

|                                    |                           |  |
|------------------------------------|---------------------------|--|
| SERIES DESCRIPTION:<br>DISH WASHER | MODEL DESCRIPTION:<br>E40 | MODEL VERSION:<br>EUROLINE 40 230V ~N,<br>50-60 Hz |
|------------------------------------|---------------------------|--|



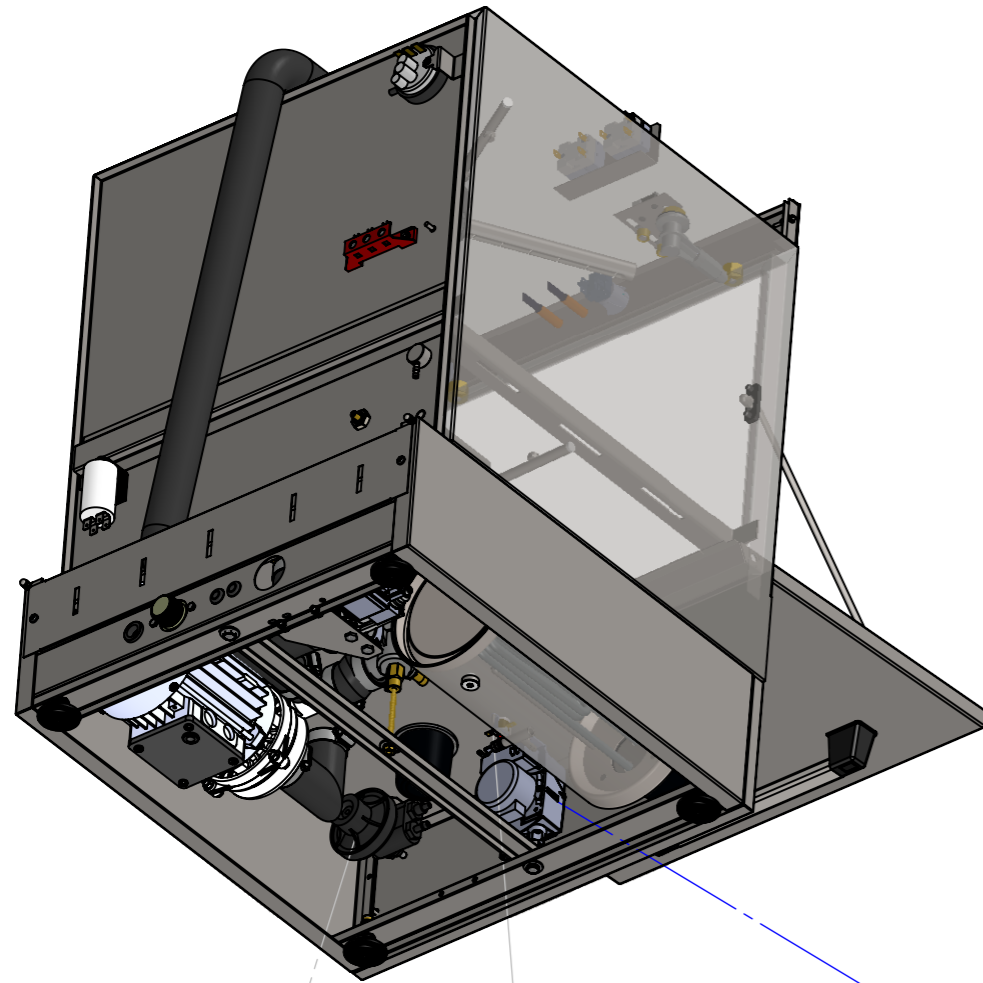
| ITEM NO. | PART NUMBER  | DESCRIPTION                  | QTY. |
|----------|--------------|------------------------------|------|
| 40       | 001.40.00013 | BASE INOX BACK COVER E40     | 1    |
| 41       | 002.40.00023 | WASHING PIPE OUTLET          | 1    |
| 42       | 003.00.00347 | RUBBER CABLE PROTECTION N.01 | 1    |
| 43       | 003.00.00025 | CABLE RUBBER PROTECTOR       | 2    |
| 44       | 003.00.00033 | PRESSOSTAT                   | 1    |
| 45       | 003.00.00200 | TAPPING SCREW 3.5X9.50       | 1    |
| 46       | 003.00.00392 | POWER SUPPLY BOARD 3CON      | 1    |
| 47       | 003.00.00046 | NUT M4 (GALV)                | 2    |
| 48       | 002.00.00233 | DETERGENT TANK INJECTOR      | 1    |
| 49       | 003.00.00533 | CAPACITOR 6.3μF              | 1    |
| 50       | 003.00.00301 | NUT M8 GALV                  | 1    |
| 51       | 003.00.00309 | INOX TAPPING SCREW Φ4,1 X 13 | 2    |
| 52       | 002.00.00048 | CLAMP 25-40                  | 1    |

|                             |                   |
|-----------------------------|-------------------|
| ITEM CODE:                  | ITEM DESCRIPTION: |
| MODEL CODE:<br>004.40.00001 | PAGE:<br>6        |
|                             | REVISION:<br>0.0  |

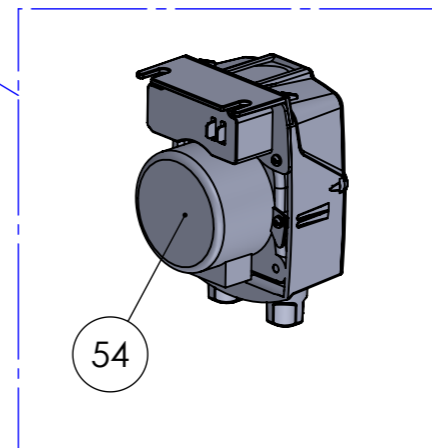
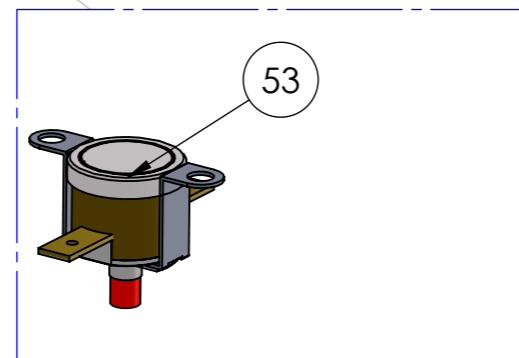
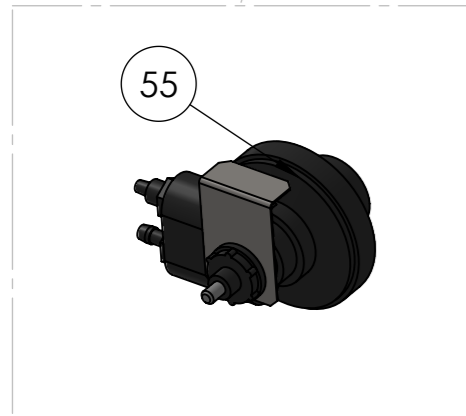
SERIES DESCRIPTION:  
DISH WASHER

MODEL DESCRIPTION:  
E40

MODEL VERSION:  
EUROLINE 40 230V ~N,  
50-60 Hz



| ITEM NO. | PART NUMBER  | DESCRIPTION                            | QTY. |
|----------|--------------|--|------|
| 53       | 003.00.00168 | THERMOFUSE TANK 90C                    | 1    |
| 54       | 003.00.00429 | PERISTALTIC DETERGENT PUMP G300 / 230V | 1    |
| 55       | 003.00.00268 | HYDRAULIC RINSE AID PUMP               | 1    |

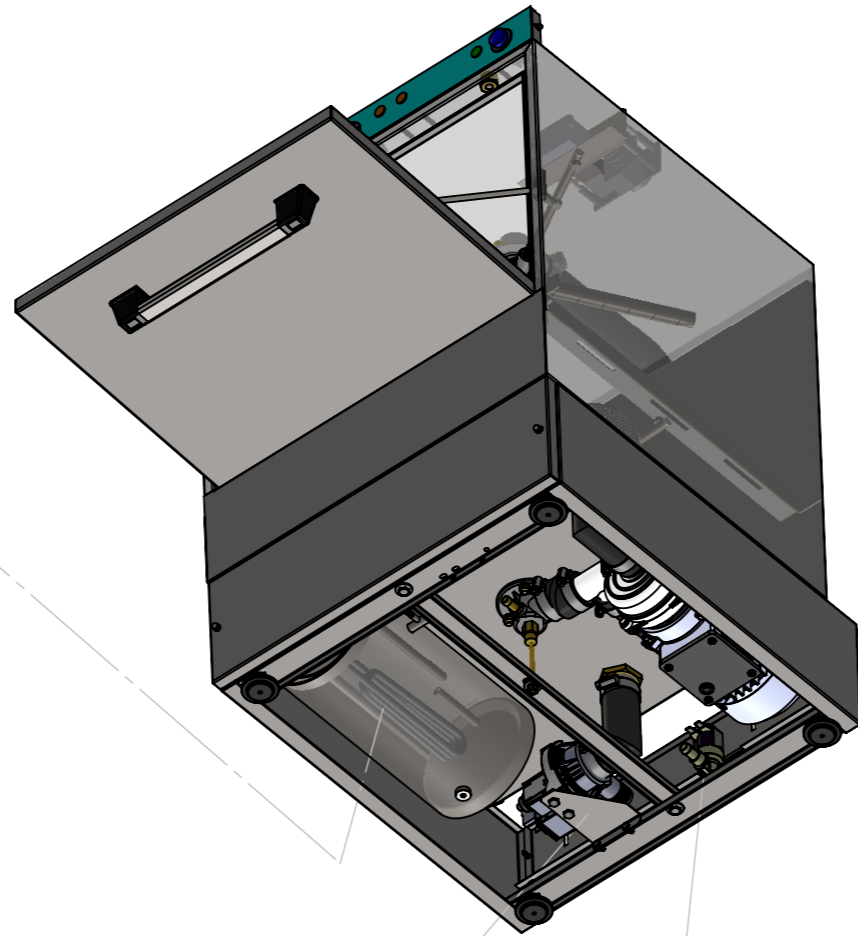
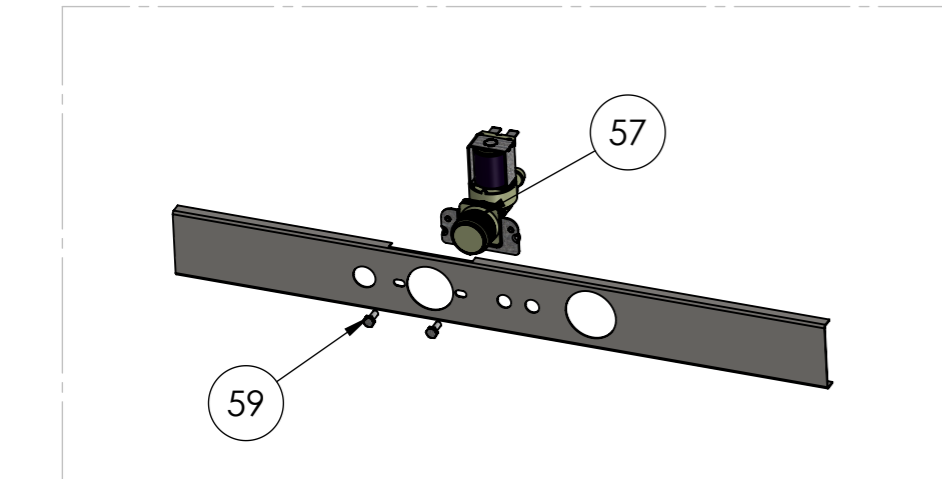
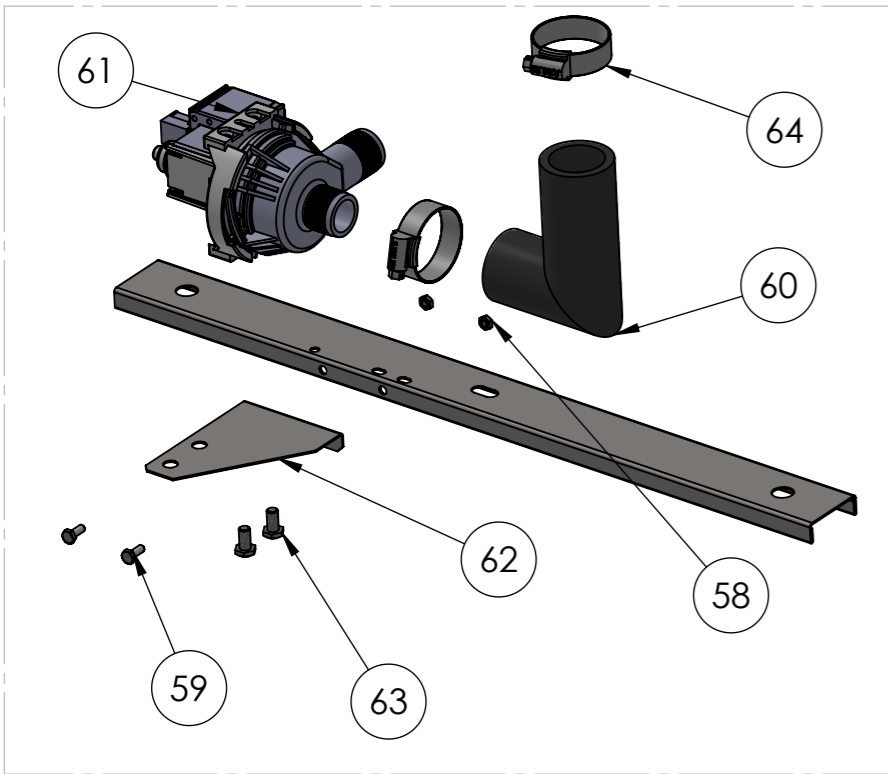
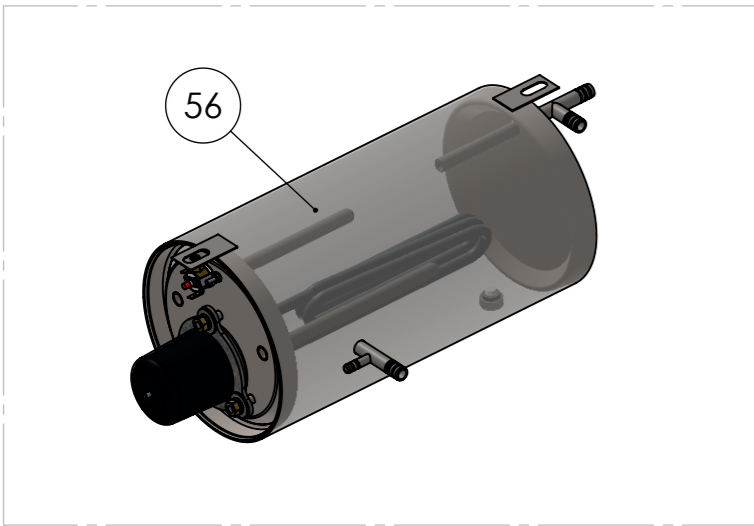


|                |                                  |                   |     |
|----------------|----------------------------------|-------------------|-----|
| ITEM CODE:     |                                  | ITEM DESCRIPTION: |     |
| MODEL CODE:    | 004.40.00001                     | PAGE:             | 7   |
| MODEL VERSION: | EUROLINE 40 230V ~N,<br>50-60 Hz | REVISION:         | 0.0 |

SERIES DESCRIPTION:  
DISH WASHER

MODEL DESCRIPTION:  
E40

MODEL VERSION:  
EUROLINE 40 230V ~N,  
50-60 Hz



| ITEM NO. | PART NUMBER  | DESCRIPTION                                   | QTY. |
|----------|--------------|---|------|
| 56       | 006.40.00001 | BOILER COMPLETE WITH HEATER ELEMENT EU40-230V | 1    |
| 57       | 003.00.00031 | WATER INPUT VALVE                             | 1    |
| 58       | 003.00.00046 | NUT M4 (GALV)                                 | 2    |
| 59       | 003.00.00278 | GALV. BOLT M4X10                              | 4    |
| 60       | 002.40.00024 | INPUT HOSE FOR DRAINING PUMP                  | 1    |
| 61       | 003.00.00184 | TANK DRAINING PUMP 230V / 65W                 | 1    |
| 62       | 001.50.00065 | INOX BASE FOR DRAINING PUMP V500              | 1    |
| 63       | 003.00.00355 | INOX HEX SCREW M6X12                          | 2    |
| 64       | 002.00.00048 | CLAMP 25-40                                   | 2    |

ITEM CODE:

ITEM DESCRIPTION:

SERIES DESCRIPTION:  
DISH WASHER

MODEL DESCRIPTION:  
E40

MODEL VERSION:  
EUROLINE 40 230V ~N,  
50-60 Hz

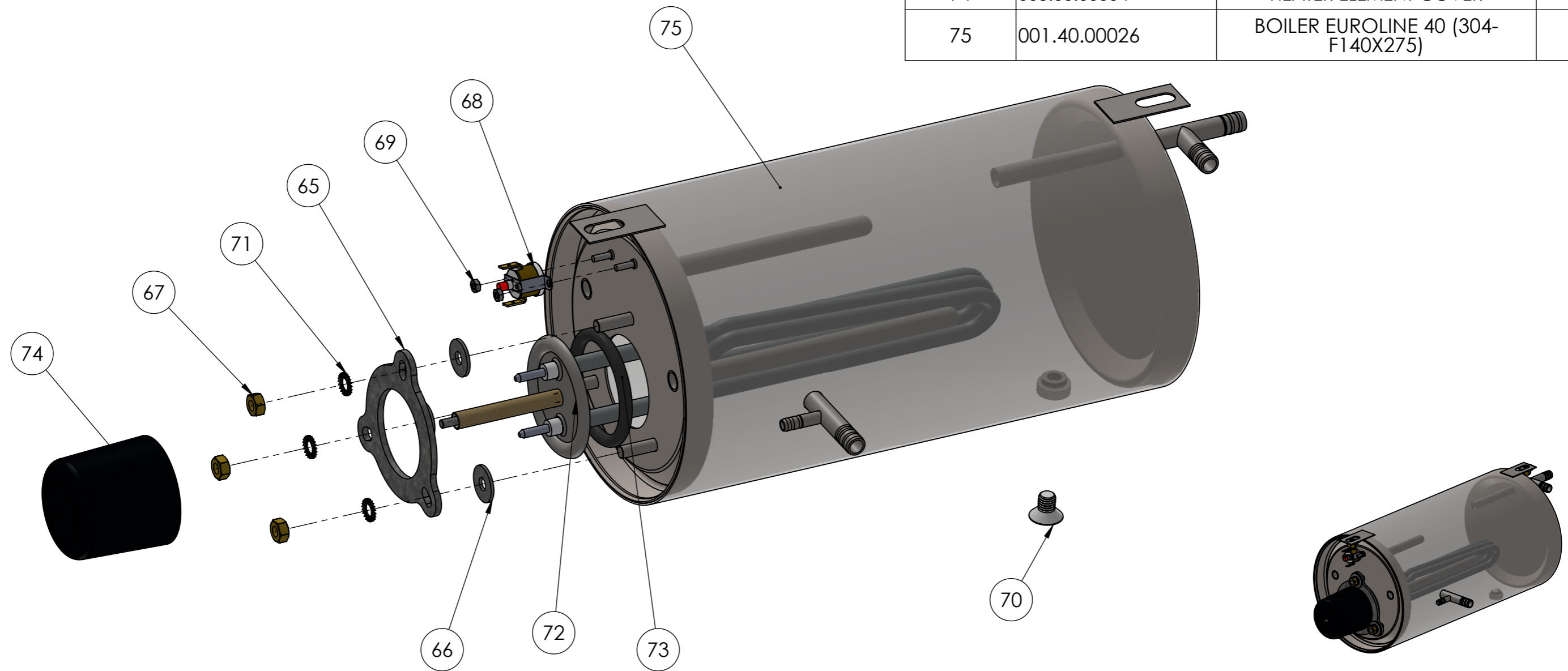
MODEL CODE:  
004.40.00001

PAGE:  
8

REVISION:  
0.0



| ITEM NO. | PART NUMBER  | DESCRIPTION                           | QTY. |
|----------|--------------|---------------------------------------|------|
| 65       | 003.00.00260 | BOILER ELEMENT FITTING BASE           | 1    |
| 66       | 003.00.00516 | WASHER STEEL $\Phi 6 \times 18$       | 3    |
| 67       | 003.00.00041 | NUT M6 GALVANISED                     | 3    |
| 68       | 003.00.00180 | BOILER THERMOFUSE 105°C               | 1    |
| 69       | 002.00.00090 | GALV. NUT M3                          | 2    |
| 70       | 003.00.00258 | STAINLESS CAP SCREW M8X12             | 1    |
| 71       | 001.00.00204 | GALVANIZED LOCK WASHER<br>6,4x11x0,7  | 3    |
| 72       | 003.40.00006 | HEATING ELEMENT BOILER EU40           | 1    |
| 73       | 002.00.00150 | O-RING 45X6                           | 1    |
| 74       | 003.00.00004 | HEATER ELEMENT COVER                  | 1    |
| 75       | 001.40.00026 | BOILER EUROLINE 40 (304-<br>F140X275) | 1    |



SERIES DESCRIPTION:  
DISH WASHER

MODEL DESCRIPTION:  
E40

MODEL VERSION:  
EUROLINE 40 230V ~N,  
50-60 Hz

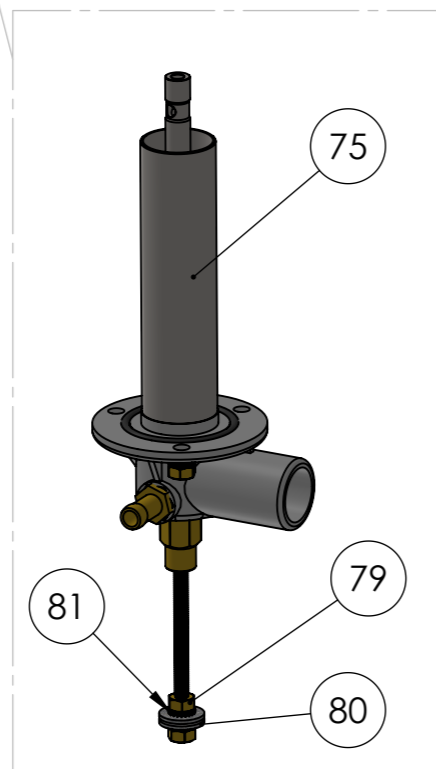
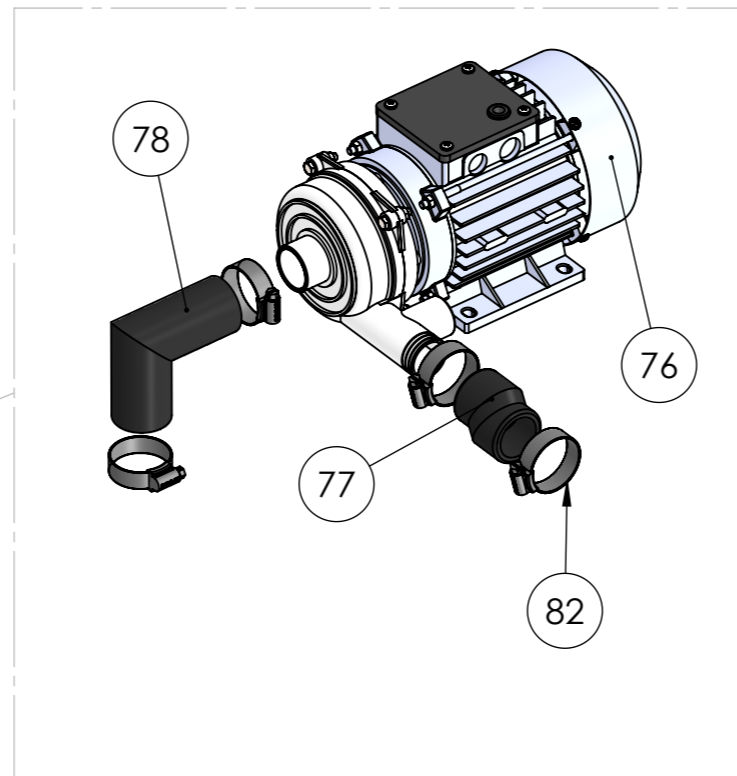
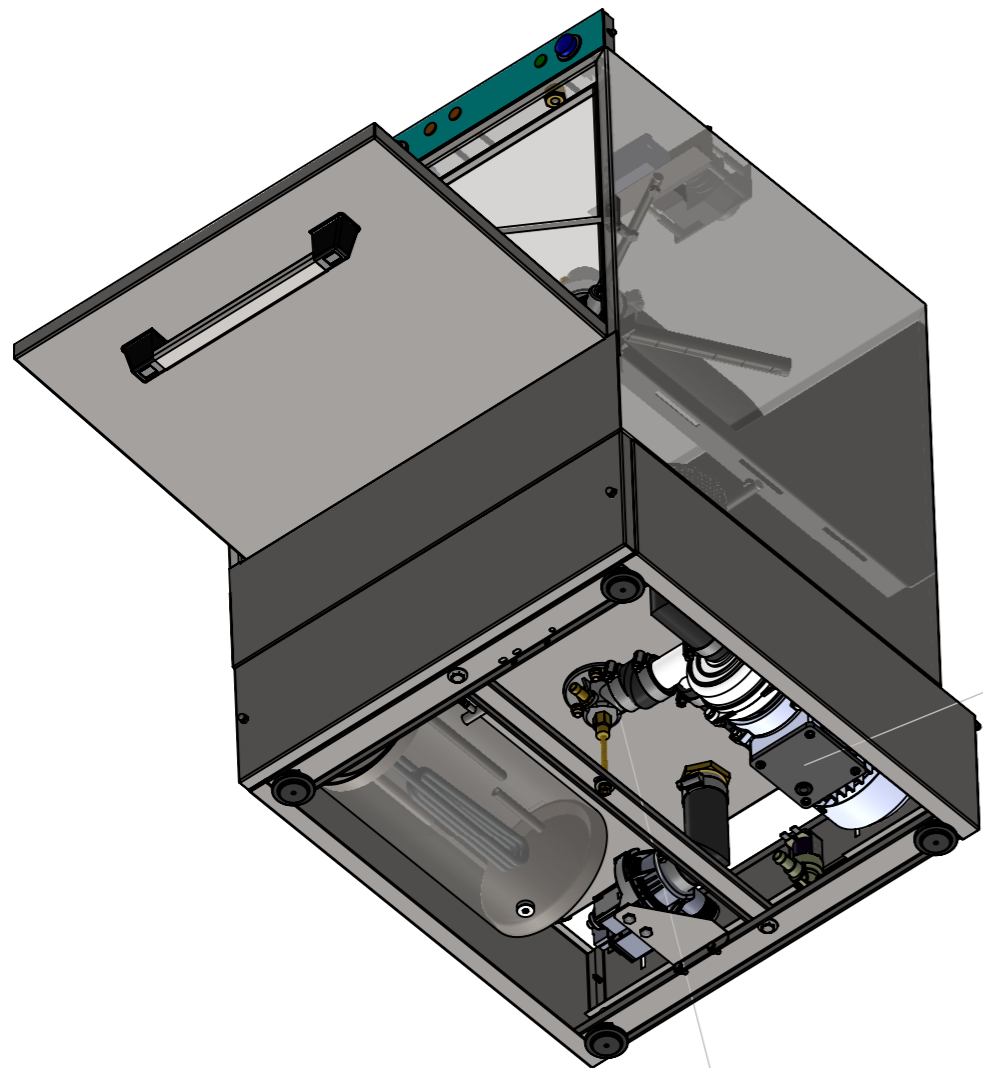
ITEM CODE:  
006.40.00001

MODEL CODE:  
004.40.00001

ITEM DESCRIPTION:  
BOILER COMPLETE WITH HEATER  
ELEMENT EU40-230V

PAGE:  
9

REVISION:  
0.0



| ITEM NO. | PART NUMBER  | DESCRIPTION                         | QTY. |
|----------|--------------|-------------------------------------|------|
| 75       | 002.40.00012 | LOWER WASH&RINSE BASE COMPLETE EU40 | 1    |
| 76       | 003.40.00005 | PUMP 0.30HP 50HZ 230V IP44          | 1    |
| 77       | 002.00.00178 | WASH PUMP HOSE (OUTPUT)             | 1    |
| 78       | 002.40.00025 | INLET HOSE FOR PUMP EU40            | 1    |
| 79       | 003.00.00041 | NUT M6 GALVANISED                   | 2    |
| 80       | 003.00.00516 | WASHER STEEL $\Phi$ 6X18            | 2    |
| 81       | 001.00.00204 | GALVANIZED LOCK WASHER 6,4x11x0,7   | 2    |
| 82       | 002.00.00048 | CLAMP 25-40                         | 4    |

ITEM CODE:

ITEM DESCRIPTION:

SERIES DESCRIPTION:  
DISH WASHER

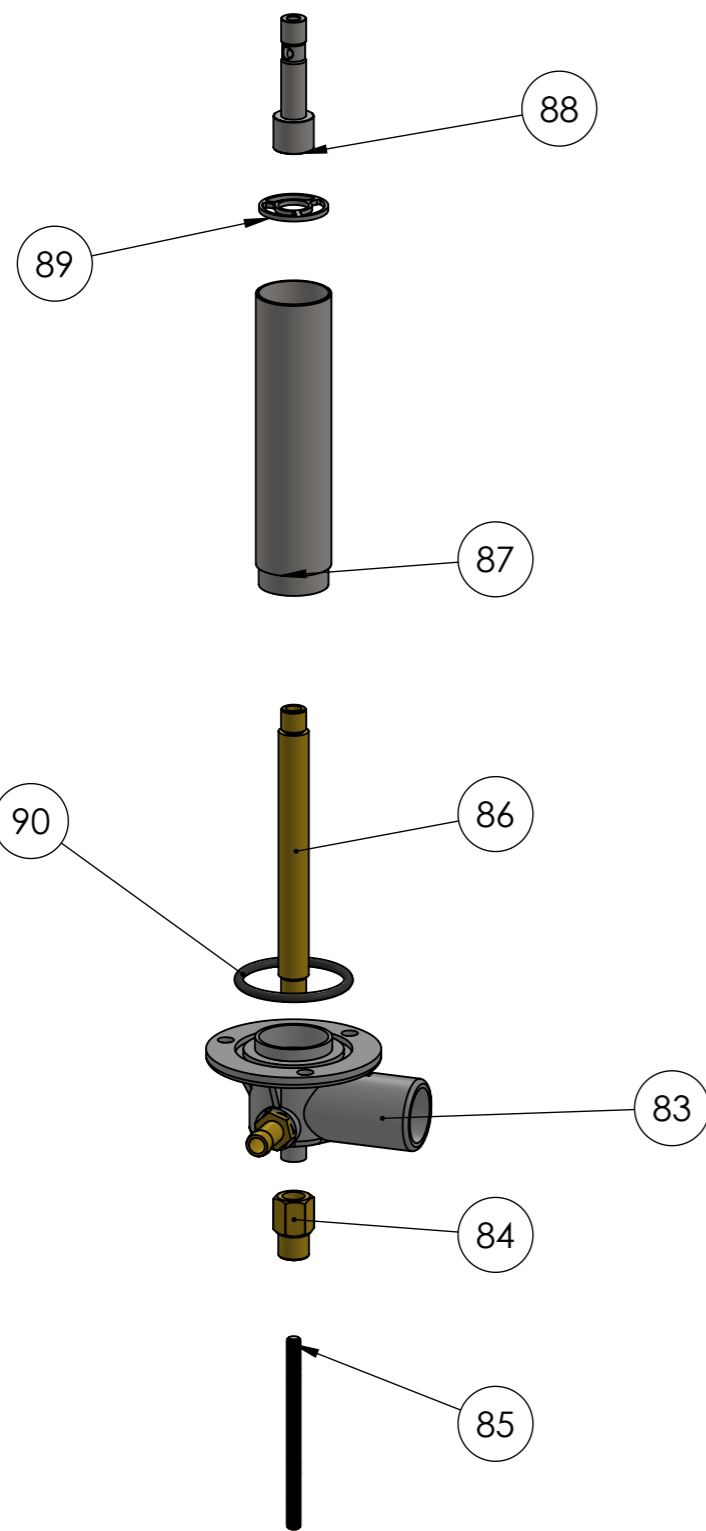
MODEL DESCRIPTION:  
E40

MODEL VERSION:  
EUROLINE 40 230V ~N,  
50-60 Hz

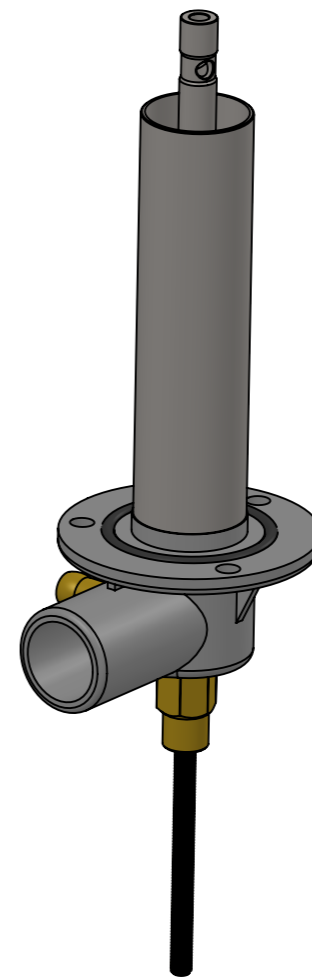
MODEL CODE:  
004.40.00001

PAGE:  
10

REVISION:  
0.0



| ITEM NO. | PART NUMBER  | DESCRIPTION                   | QTY. |
|----------|--------------|-------------------------------|------|
| 83       | 002.35.00019 | BOTTOM PLASTIC BASE B35       | 1    |
| 84       | 002.35.00024 | HEXAGON BRONZE SPACER 4X25 M6 | 1    |
| 85       | 002.40.00010 | SCREW M6X80                   | 1    |
| 86       | 002.40.00004 | AXLE F12X121.5 M10 EU40       | 1    |
| 87       | 002.40.00003 | WASH PIPE INOX F30 EU40       | 1    |
| 88       | 002.35.00016 | INOX AXLE $\Phi$ 16 M6        | 1    |
| 89       | 002.35.00006 | INOX ROUND SPACER $\Phi$ 30   | 1    |
| 90       | 002.00.00092 | ORING $\Phi$ 40X3,5           | 1    |



SERIES DESCRIPTION:  
DISH WASHER

MODEL DESCRIPTION:  
E40

MODEL VERSION:  
EUROLINE 40 230V ~N,  
50-60 Hz

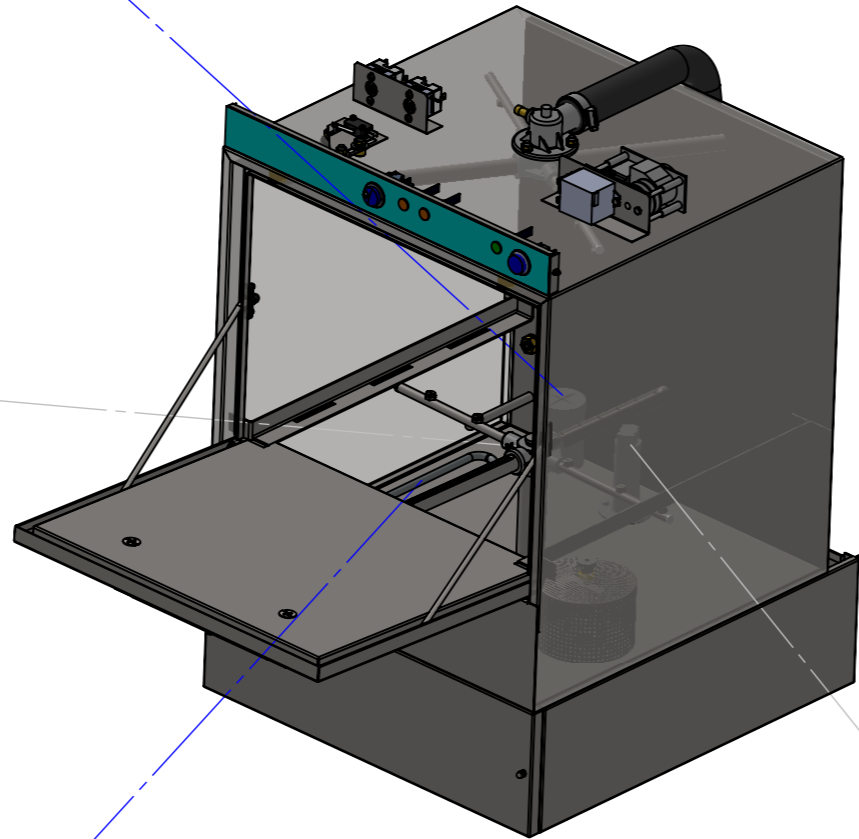
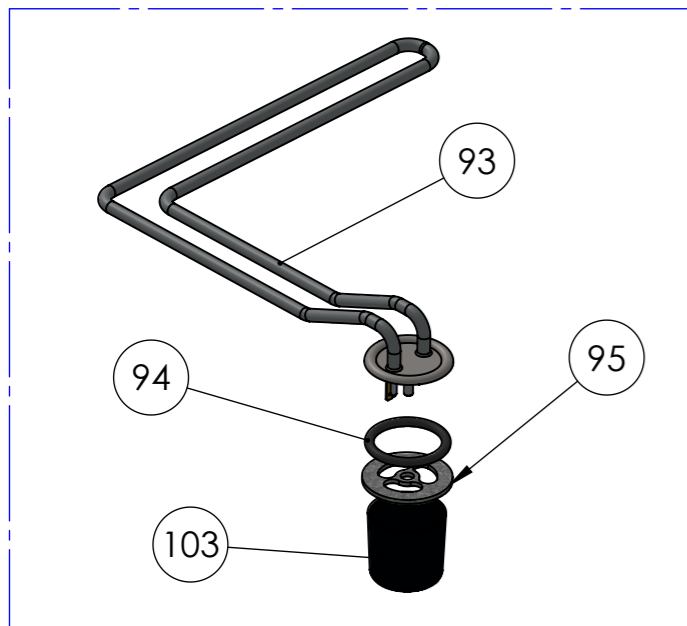
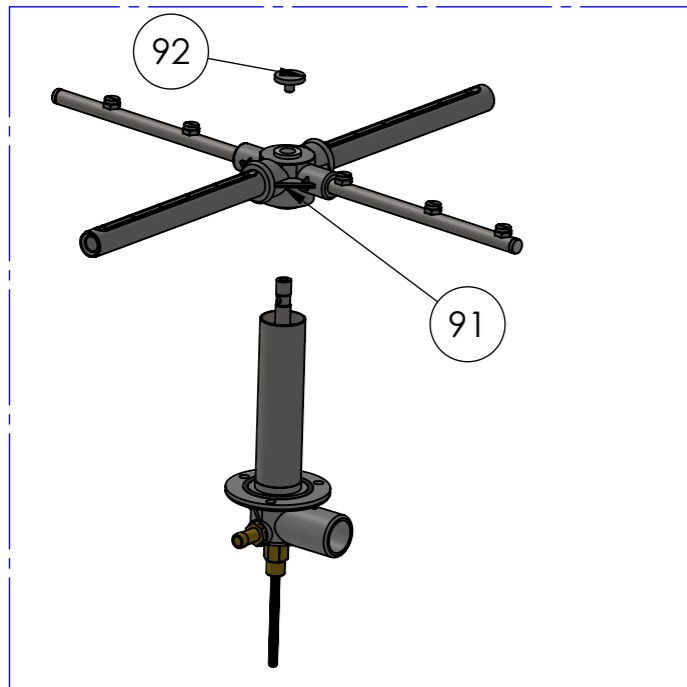
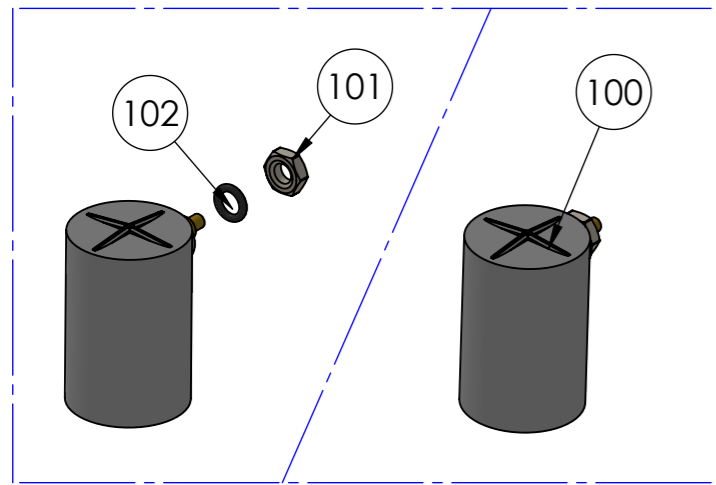
ITEM CODE:  
002.40.00012

MODEL CODE:  
004.40.00001

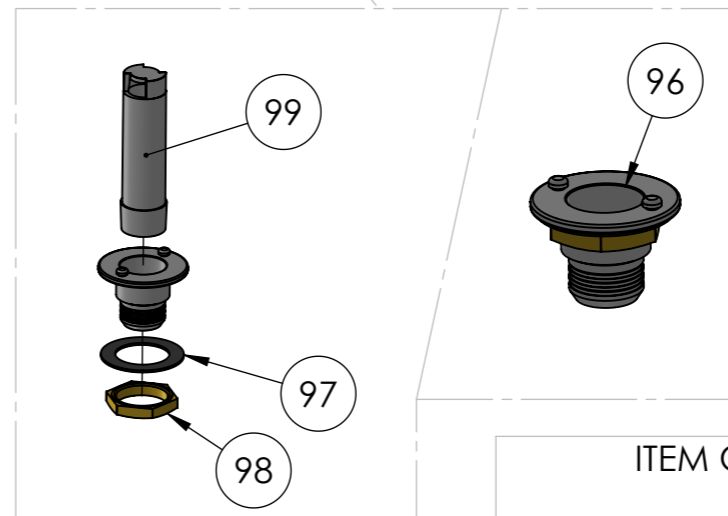
ITEM DESCRIPTION:  
LOWER WASH&RINSE  
BASE COMPLETE EU40

PAGE:  
11

REVISION:  
0.0



| ITEM NO. | PART NUMBER  | DESCRIPTION                            | QTY. |
|----------|--------------|--|------|
| 91       | 002.40.00013 | RINSING&WASHING CROSS EU40 COMPLETE    | 1    |
| 92       | 002.50.00004 | LOCK NUT FOR RINSING ARM               | 1    |
| 93       | 003.40.00011 | HEATER ELEMENT TANK 2.5KW              | 1    |
| 94       | 002.00.00150 | O-RING 45X6                            | 1    |
| 95       | 003.00.00570 | TANK HEATING ELEMENT RETAINING BRACKET | 1    |
| 96       | 002.00.00257 | DRAIN AND OVERFLOW VALVE PLASTIC BASE  | 1    |
| 97       | 002.00.00238 | RUBBER GASKET 35X55X1                  | 1    |
| 98       | 002.00.00133 | BRONZE NUT M36                         | 1    |
| 99       | 002.30.00007 | DRAIN AND OVERFLOW VALVE PLASTIC PART  | 1    |
| 100      | 003.00.00552 | PRESSOSTAT CHAMBER BL35-EU40           | 1    |
| 101      | 001.00.00093 | NUT M10 INOX                           | 1    |
| 102      | 002.00.00091 | ORING 3X10,5                           | 1    |
| 103      | 003.00.00004 | HEATER ELEMENT COVER                   | 1    |



SERIES DESCRIPTION:  
DISH WASHER

MODEL DESCRIPTION:  
E40

MODEL VERSION:  
EUROLINE 40 230V ~N,  
50-60 Hz

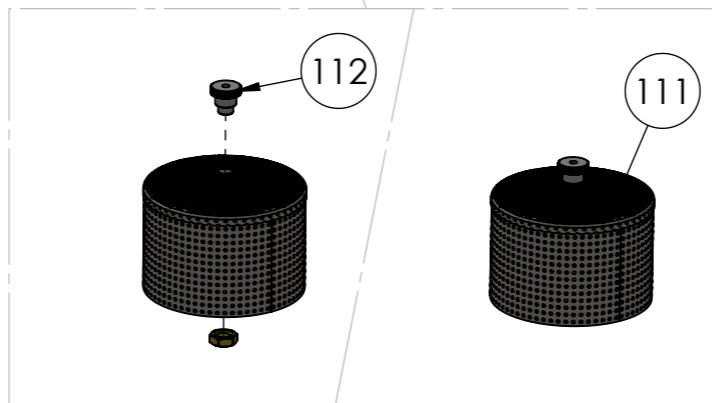
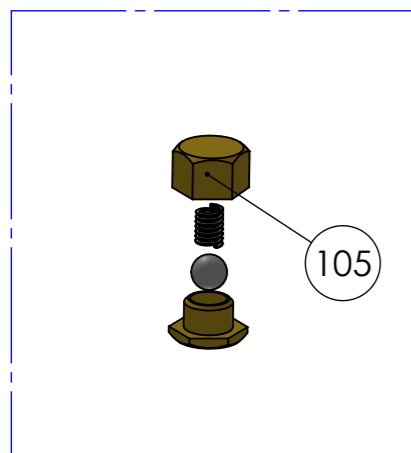
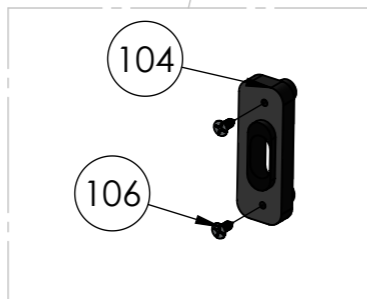
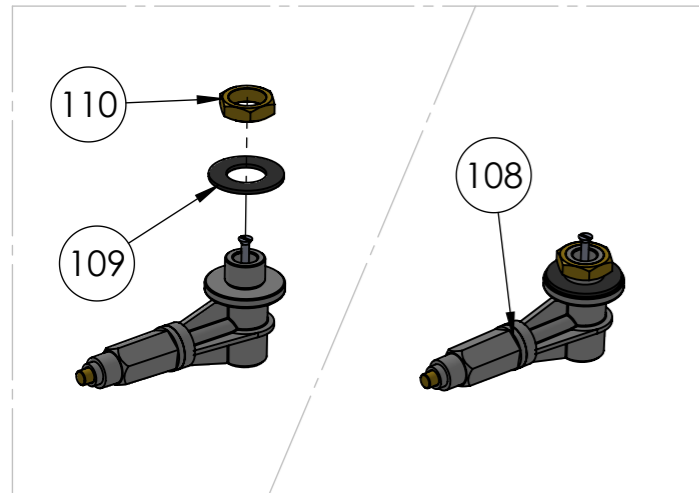
MODEL CODE:  
004.40.00001

PAGE:  
12

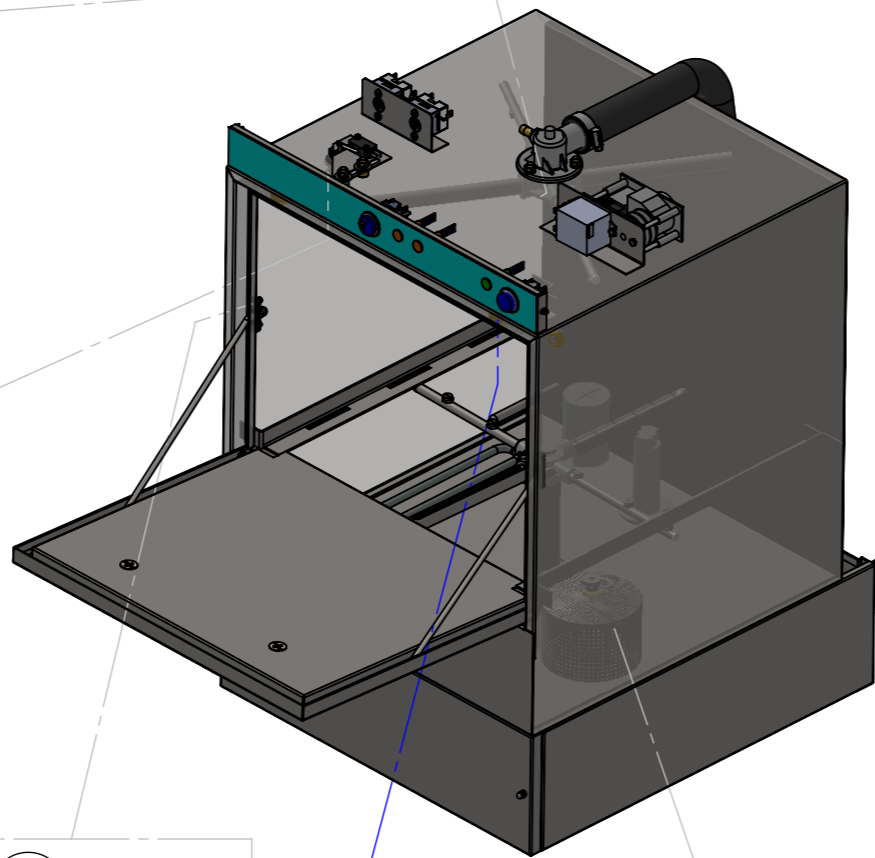
REVISION:  
0.0

ITEM CODE:

ITEM DESCRIPTION:



| ITEM NO. | PART NUMBER  | DESCRIPTION                           | QTY. |
|----------|--------------|---------------------------------------|------|
| 104      | 001.00.00221 | PLASTIC GUIDE FOR DOOR AXLE           | 2    |
| 105      | 001.00.00051 | DOOR SNAP SET                         | 2    |
| 106      | 001.00.00073 | INOX SCREW 2,9 X 10                   | 4    |
| 107      | 002.40.00013 | RINSING&WASHING CROSS EU40 COMPLETE   | 1    |
| 108      | 003.00.00231 | DOOR SWITCH MECH. PART                | 1    |
| 109      | 003.00.00489 | RUBBER GASKET 16X30X3                 | 1    |
| 110      | 003.00.00071 | NUT FOR DOOR SWITCH                   | 1    |
| 111      | 001.30.00030 | FILTER FOR PUMP IN THE TANK BL35-EU40 | 1    |
| 112      | 001.00.00017 | FILTER RETAINING NUT                  | 1    |



SERIES DESCRIPTION:  
DISH WASHER

MODEL DESCRIPTION:  
E40

MODEL VERSION:  
EUROLINE 40 230V ~N,  
50-60 Hz

ITEM CODE:

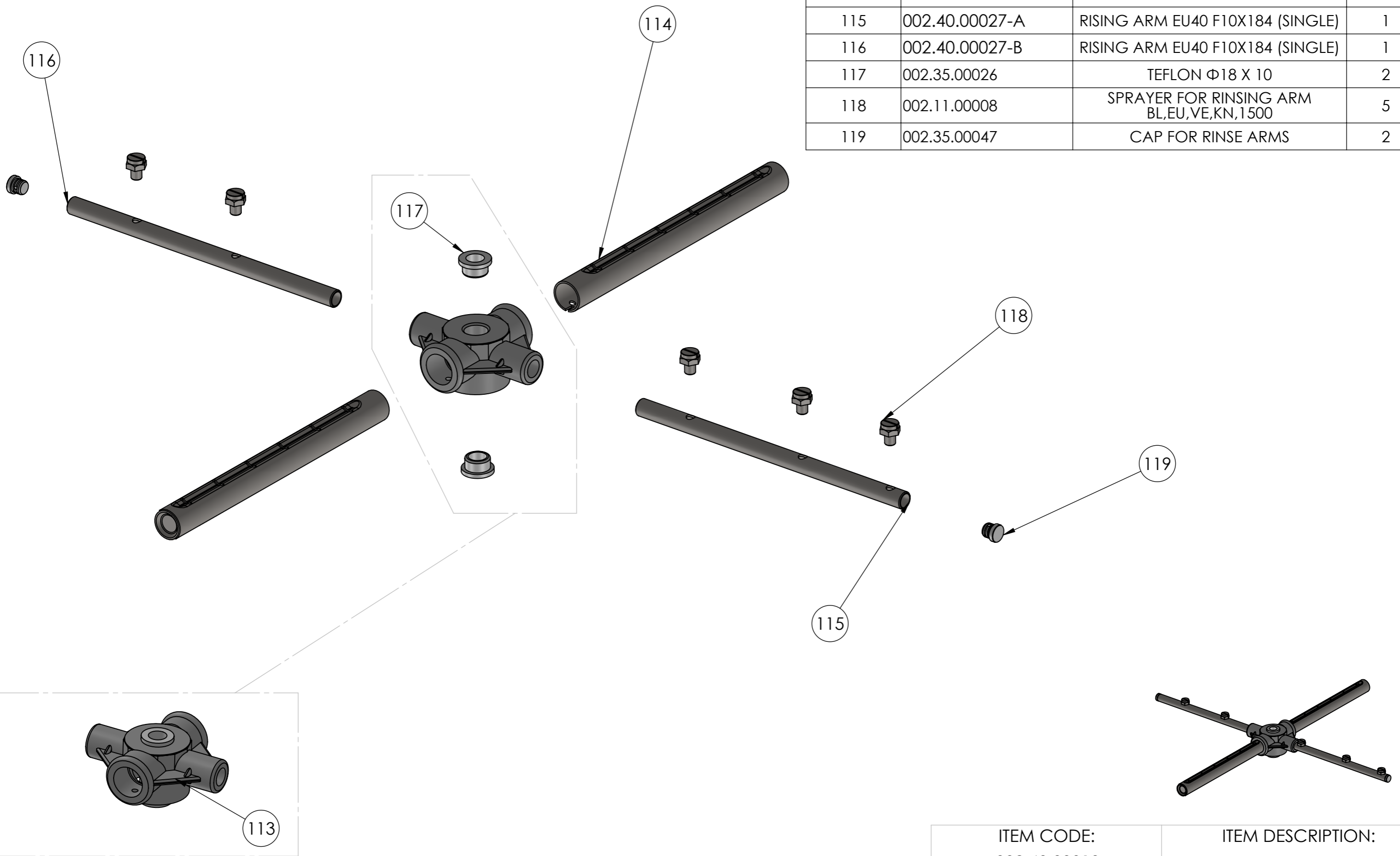
ITEM DESCRIPTION:

MODEL CODE:  
004.40.00001

PAGE:  
13

REVISION:  
0.0

| ITEM NO. | PART NUMBER    | DESCRIPTION                              | QTY. |
|----------|----------------|--|------|
| 113      | 002.35.00018   | RINSING-WASHING GROUP CROSS BL-EU        | 1    |
| 114      | 002.40.00009   | PIPES EU40 INOX F18X1X182                | 2    |
| 115      | 002.40.00027-A | RISING ARM EU40 F10X184 (SINGLE)         | 1    |
| 116      | 002.40.00027-B | RISING ARM EU40 F10X184 (SINGLE)         | 1    |
| 117      | 002.35.00026   | TEFLON $\Phi$ 18 X 10                    | 2    |
| 118      | 002.11.00008   | SPRAYER FOR RINSING ARM BL,EU,VE,KN,1500 | 5    |
| 119      | 002.35.00047   | CAP FOR RINSE ARMS                       | 2    |



|                             |                   |
|-----------------------------|-------------------|
| ITEM CODE:<br>002.40.00013  | ITEM DESCRIPTION: |
| MODEL CODE:<br>004.40.00001 | PAGE:<br>14       |
|                             | REVISION:<br>0.0  |

SERIES DESCRIPTION:  
DISH WASHER

MODEL DESCRIPTION:  
E40

MODEL VERSION:  
EUROLINE 40 230V ~N,  
50-60 Hz