

ITEM NO.	PART NUMBER	DESCRIPTION	QTY.
1	001.00.00117	DOME NUT M4	4
2	001.55.00020	BASE COVER FRONT INOX KNOSSOS 50	1
3	001.00.00213	INOX SCREW M4X15	2
4	001.50.00015	UPPER COVER INOX V50 - K50	1
5	001.50.00043	BACK COVER INOX V50 - K50	1
6	002.00.00095	INOX NUT M4	2
7	002.00.00140	LOCK WASHER INOX Φ4	2

ITEM CODE:

ITEM DESCRIPTION:

SERIES DESCRIPTION:
DISH WASHER

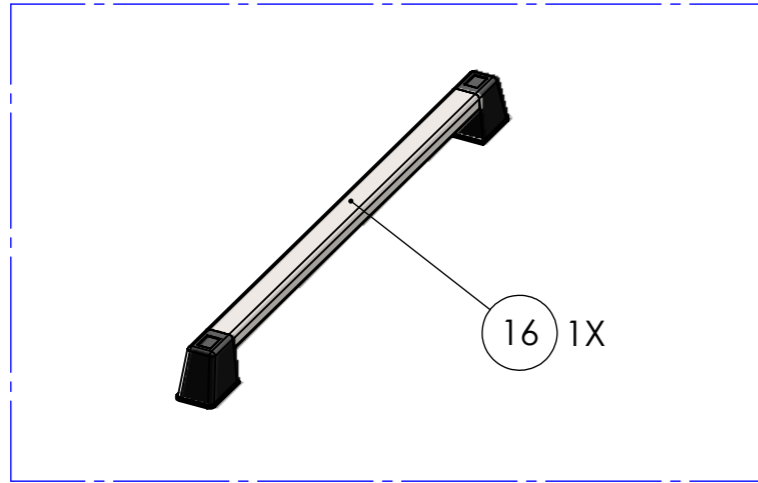
MODEL DESCRIPTION:
KNOSSOS 50

MODEL VERSION:
KNOSSOS 50 230V ~N
50/60 Hz

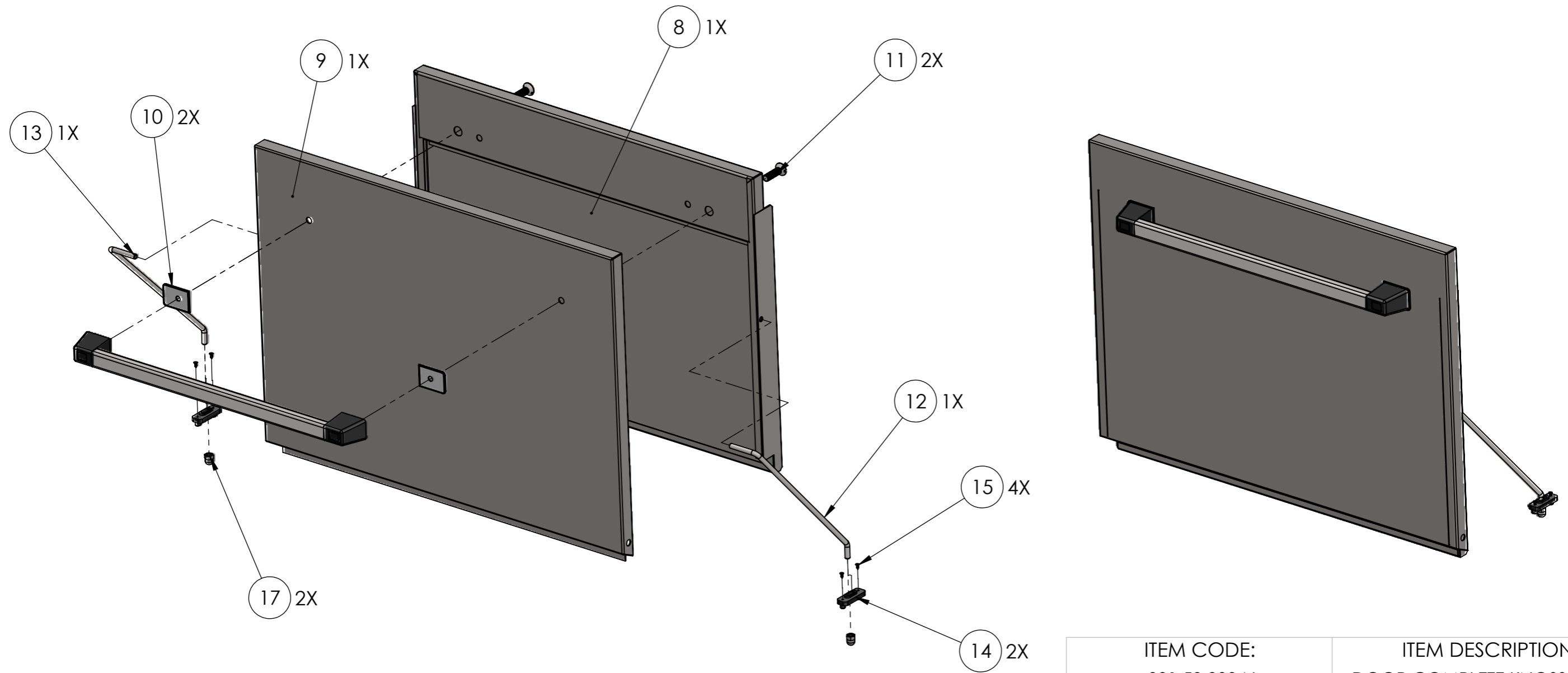
MODEL CODE:
004.55.00003

PAGE:
1

REVISION:
0.0



ITEM NO.	PART NUMBER	DESCRIPTION	QTY.
8	001.50.00011	BACK PART OF THE DOOR V-K	1
9	001.50.00027	FRONT PART OF THE DOOR V-K	1
10	002.00.00057	DOOR HANDLE PLASTIC FLANGE	2
11	PART214	INOX COUNTERSUMK BOLD M8X30	2
12	001.00.00048	DOOR RIGHT SUPPORT AXLE M6X300	1
13	001.00.00048-M	DOOR LEFT SUPPORT AXLE M6X300	1
14	001.00.00221	PLASTIC GUIDE FOR DOOR AXLE	2
15	001.00.00073	INOX SCREW 2,9 X 10	4
16	001.00.00118	DOOR HANDLE COMPLETE	1
17	001.00.00110	DOMED CAP NUT M6	2

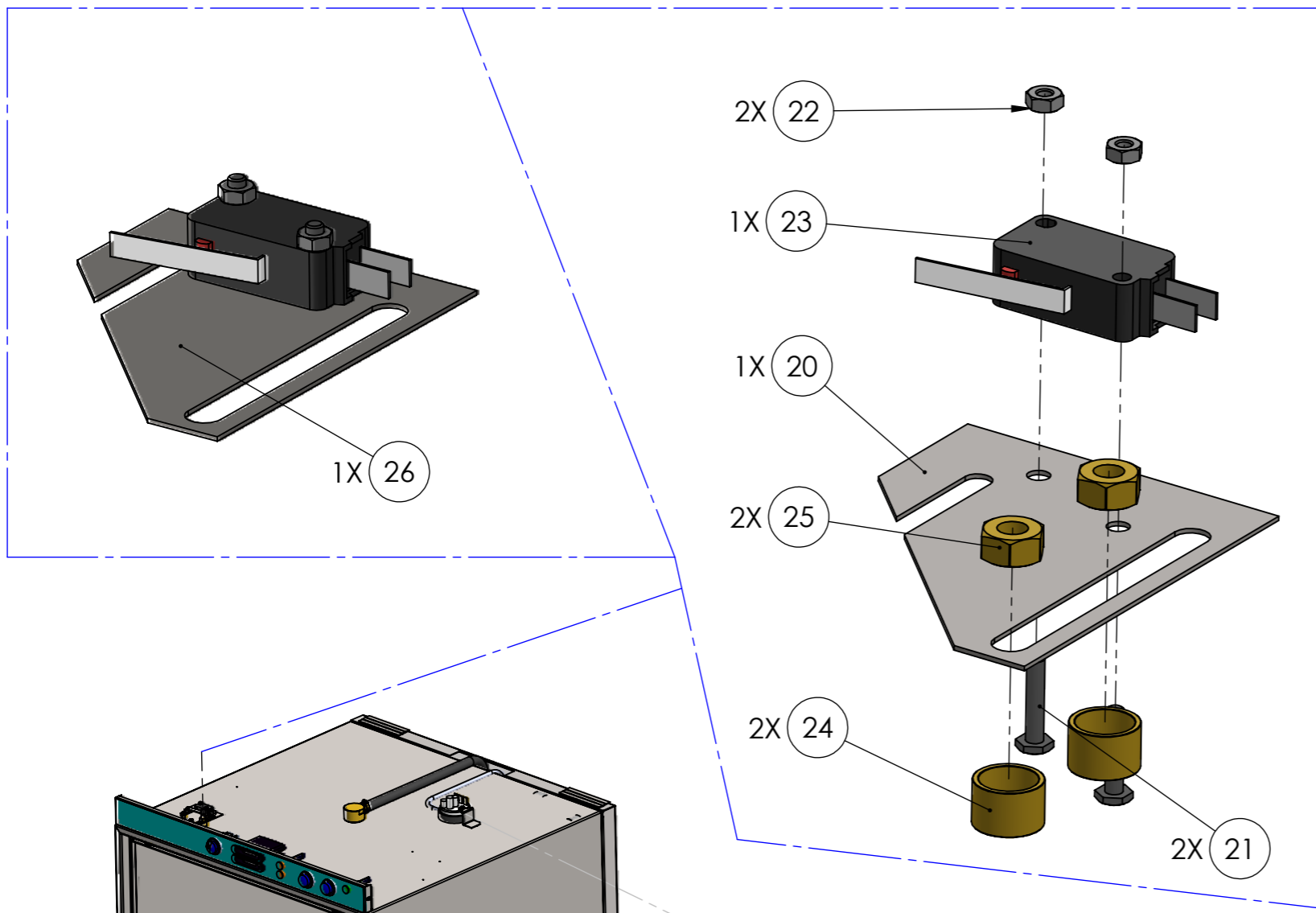


ITEM CODE: 001.50.00046	ITEM DESCRIPTION: DOOR COMPLETE KNOSSOS 50
MODEL CODE: 004.55.00003	PAGE: 2
	REVISION: 0.0

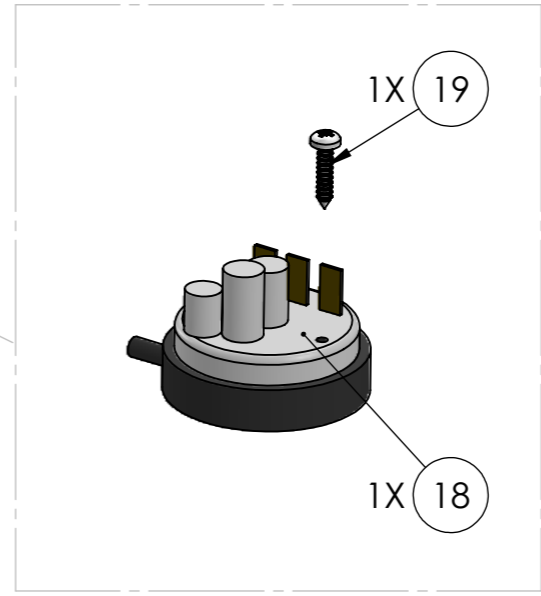
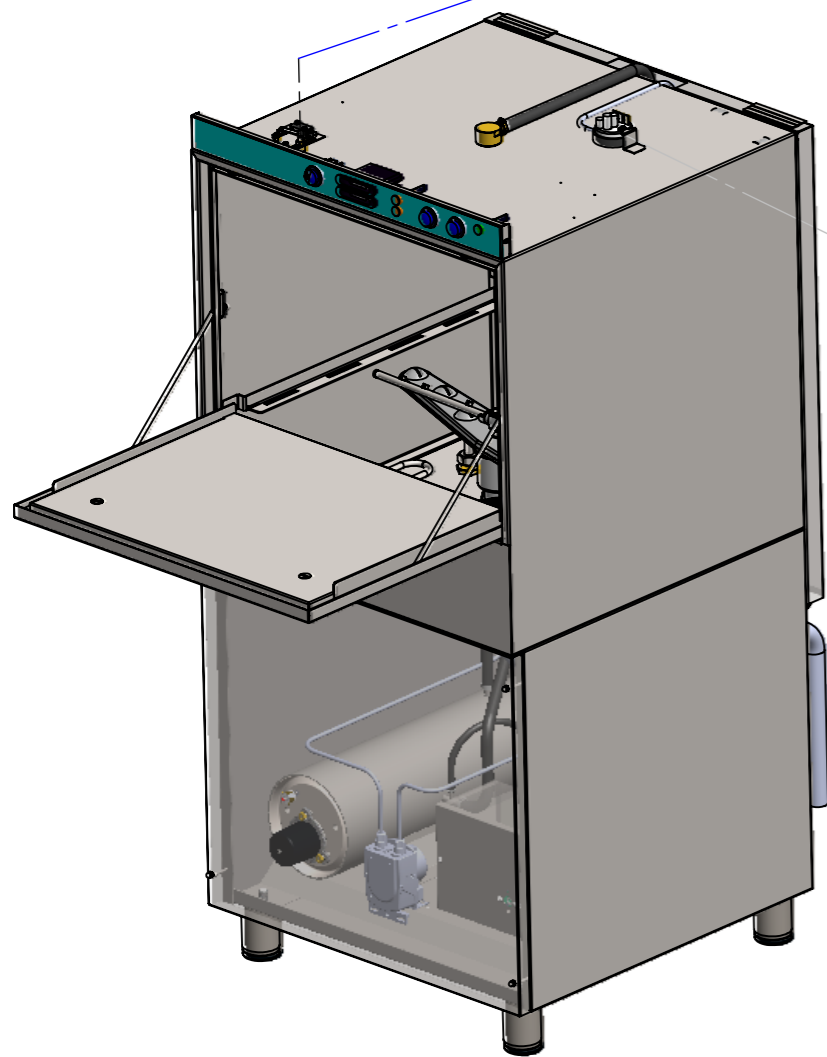
SERIES DESCRIPTION:
DISH WASHER

MODEL DESCRIPTION:
KNOSSOS 50

MODEL VERSION:
KNOSSOS 50 230V ~N
50/60 Hz

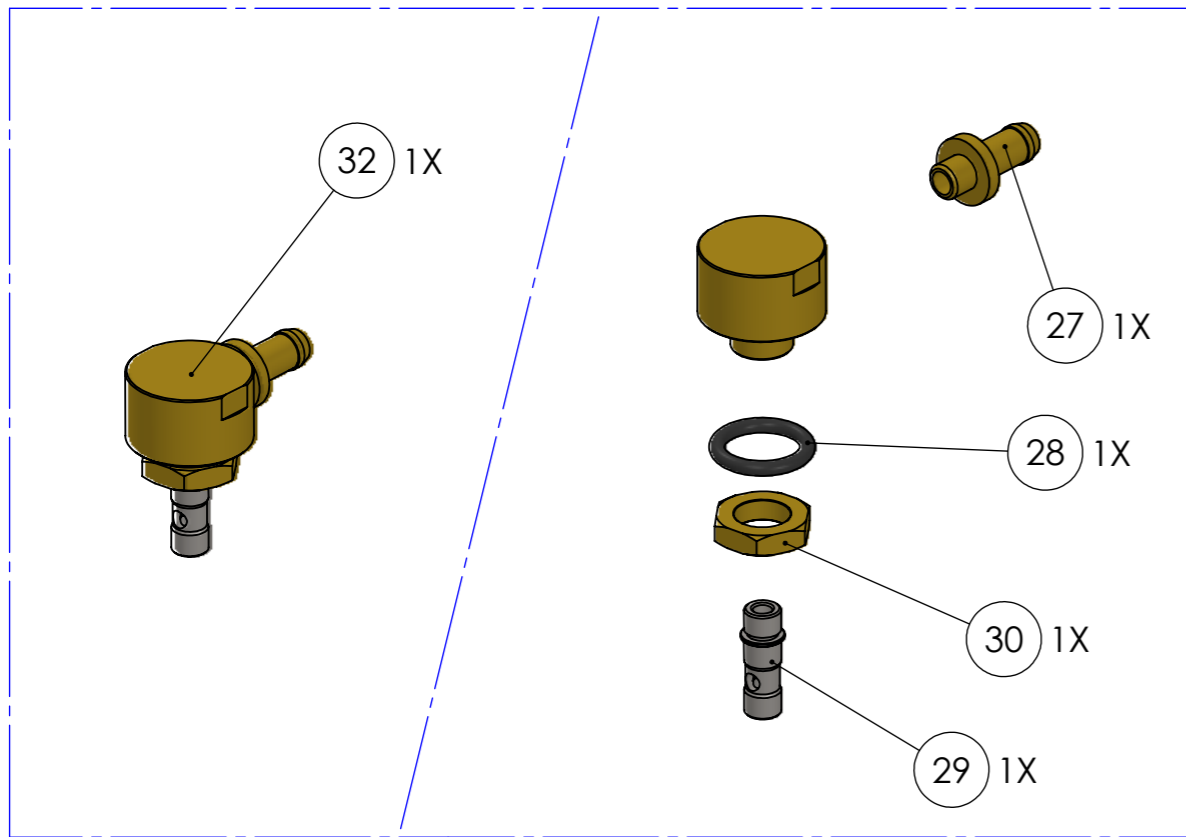


ITEM NO.	PART NUMBER	DESCRIPTION	QTY.
18	003.00.00033	PRESSOSTAT	1
19	002.00.00207	TAPPING SCREW 4,2 X 19	1
20	003.00.00077	BASE INOX FOR THE ELECTRICAL DOOR SWITCH	1
21	003.00.00065	GALV. HEX. BOLT M3X16	2
22	002.00.00090	GALV. NUT M3	2
23	003.00.00069	DOOR MICROSWITCH 16A	1
24	003.00.00085	SPACER FOR DOOR SWITCH	2
25	003.00.00041	NUT M6 GALVANISED	2
26	003.00.00426	DOOR SWITCH EL. PART 35-40-50 COMPLETE	1

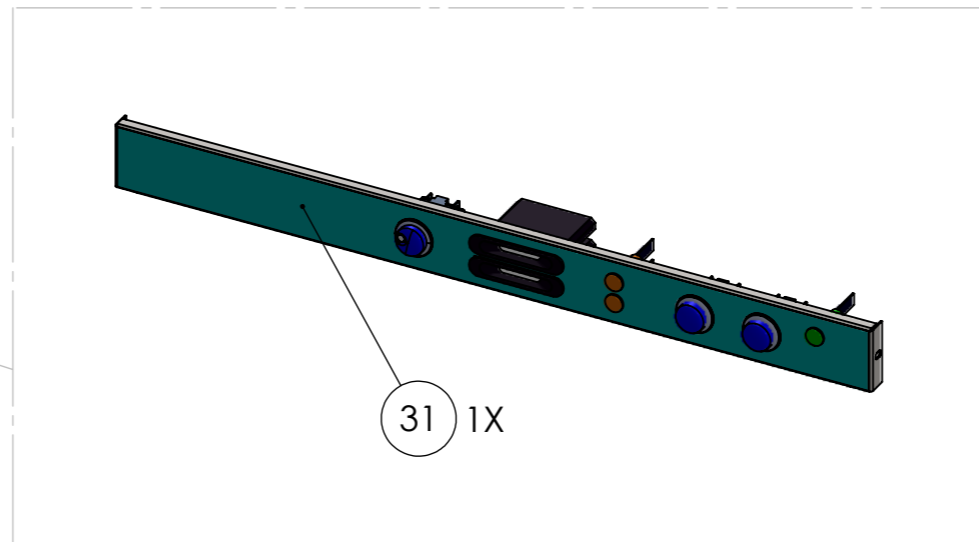
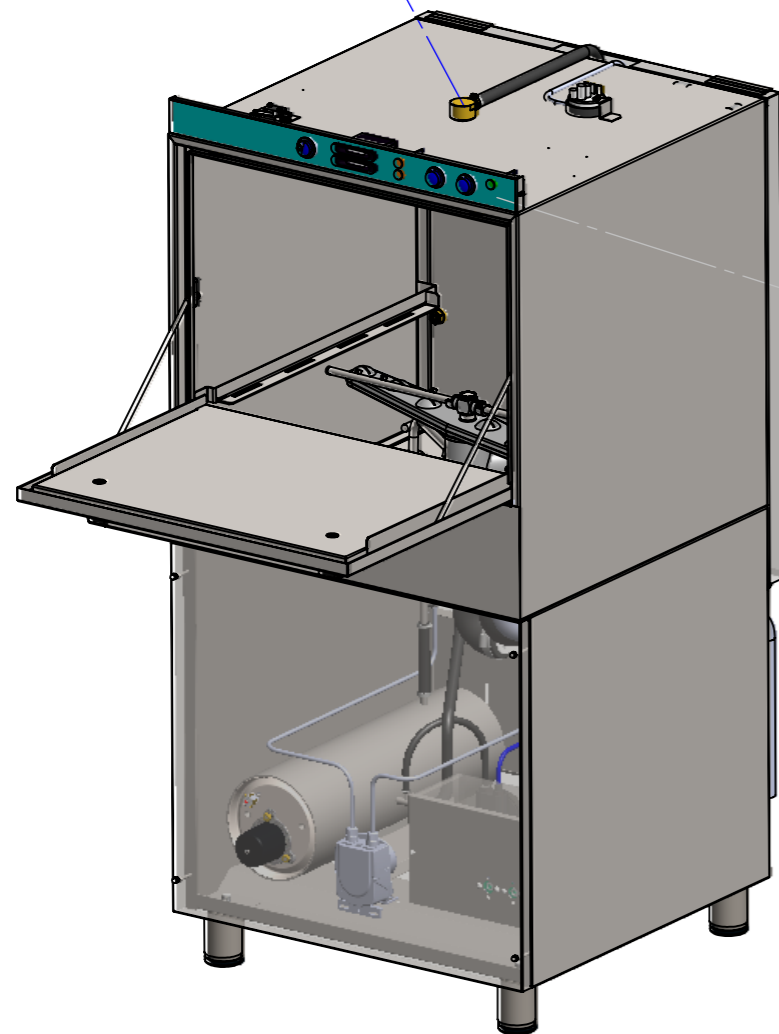


ITEM CODE:		ITEM DESCRIPTION:	
MODEL CODE:	PAGE:	REVISION:	
004.55.00003	3	0.0	

SERIES DESCRIPTION: DISH WASHER	MODEL DESCRIPTION: KNOSSOS 50	MODEL VERSION: KNOSSOS 50 230V ~N 50/60 Hz
------------------------------------	----------------------------------	--



ITEM NO.	PART NUMBER	DESCRIPTION	QTY.
27	002.00.00001	FITTINGS 1/4X10	1
28	002.00.00097	O-RING 20X4	1
29	002.50.00012	INOX AXLE RINSE BASE BL,VE,KN	1
30	002.00.00065	NUT 3/8	1
31	003.51.00002	DISPLAY PANEL COMPLETE KN50	1
32	002.35.00029	UPPER RINSING BASE COMPLETE BL,VE,KN	1



SERIES DESCRIPTION:
DISH WASHER

MODEL DESCRIPTION:
KNOSSOS 50

MODEL VERSION:
KNOSSOS 50 230V ~N
50/60 Hz

ITEM CODE:

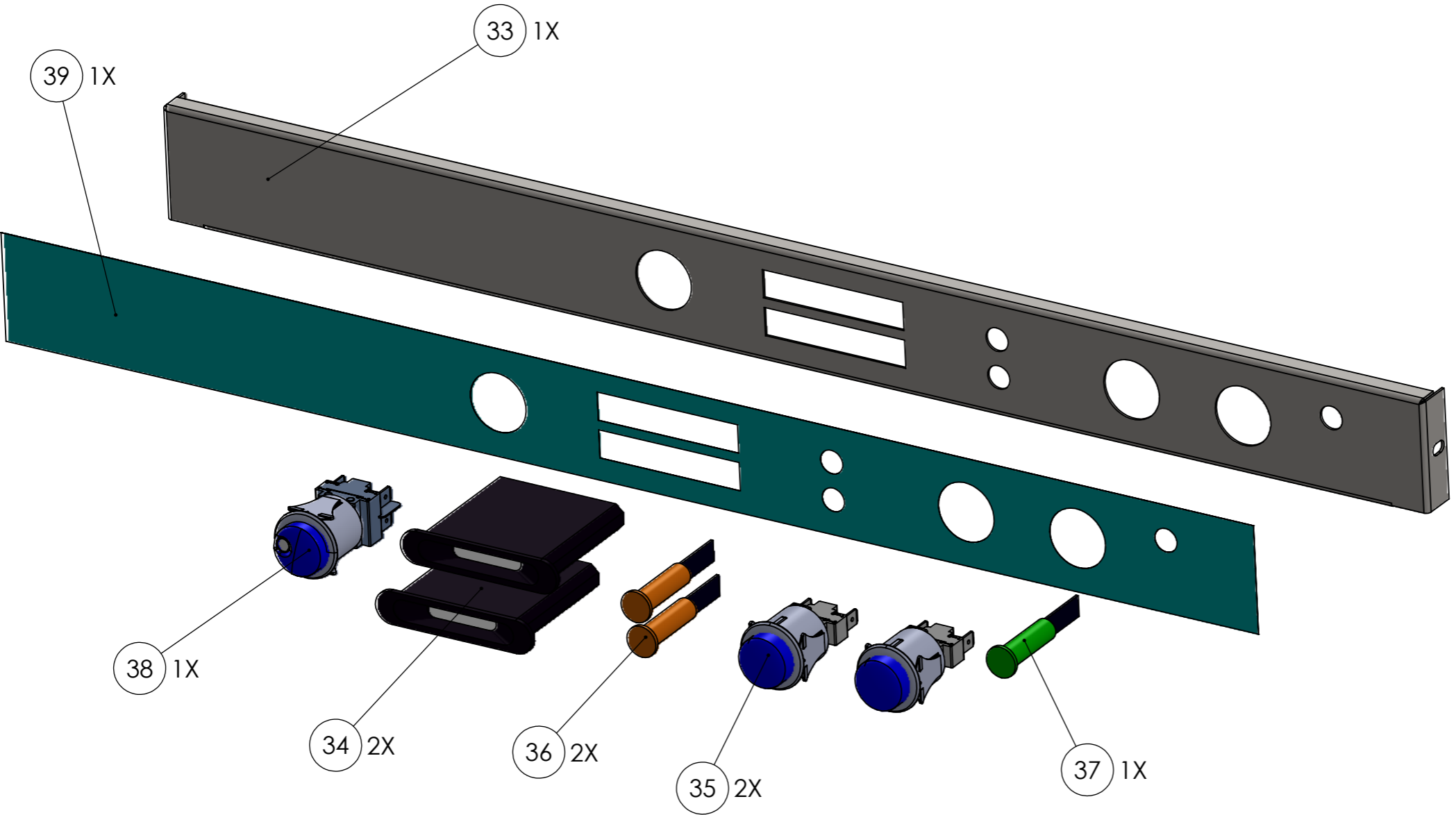
ITEM DESCRIPTION:

MODEL CODE:
004.55.00003

PAGE:
4

REVISION:
0.0

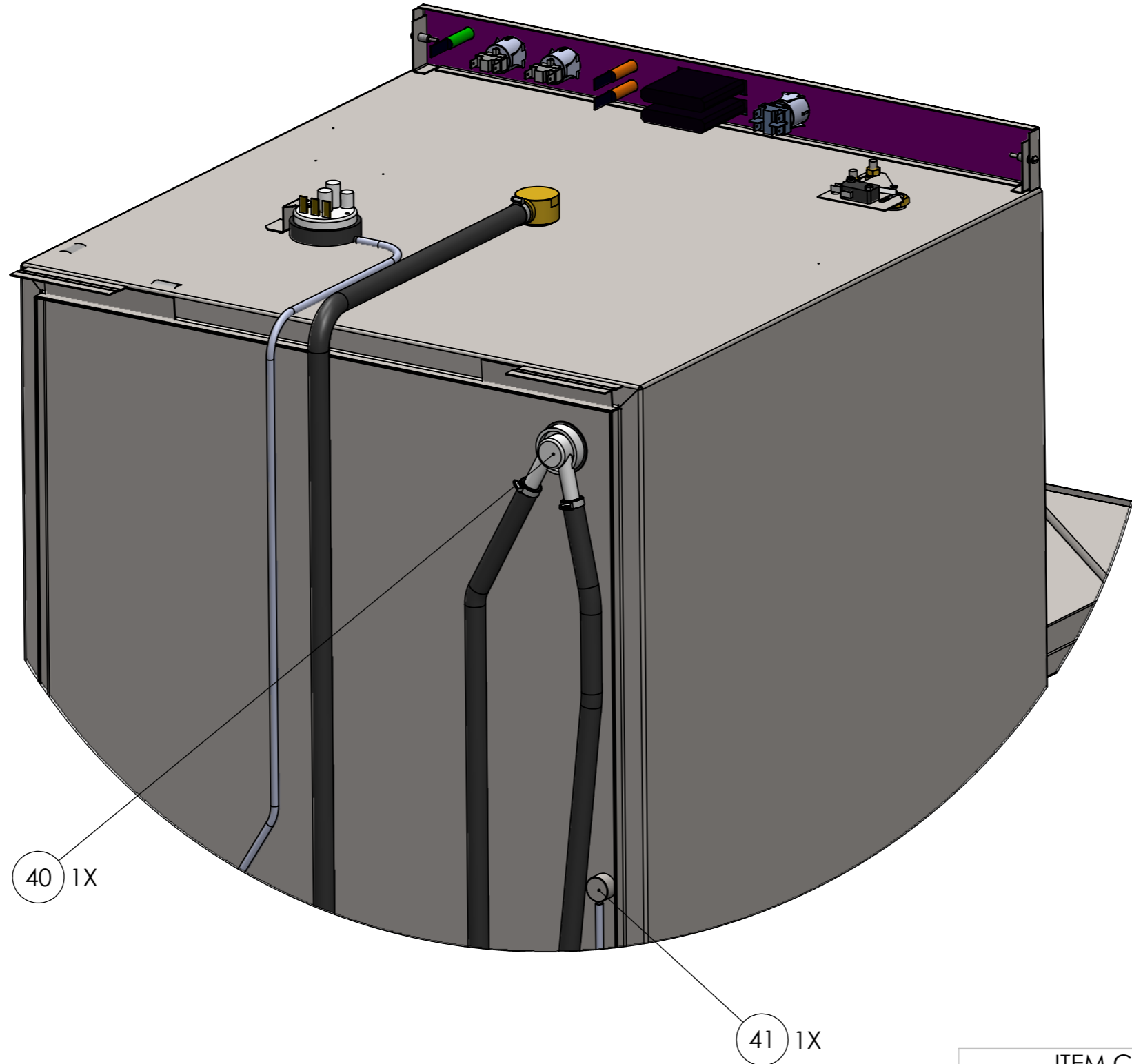
ITEM NO.	PART NUMBER	DESCRIPTION	QTY.
33	001.50.00044	SWITCH PANEL INOX V50	1
34	003.00.00505	THERMOMETER 2500mm	2
35	003.00.00564	SWITCH START ROUND TWO CONTACTS	2
36	003.00.00028	INDICATOR ORANGE	2
37	003.00.00176	INDICATOR GREEN	1
38	003.00.00563	SWITCH ON-OFF ROUND 4 CONT.	1
39	003.51.00001	MEMBRANE FOR VERGINA50	1



ITEM CODE: 003.51.00002	ITEM DESCRIPTION: DISPLAY PANEL COMPLETE KN50
MODEL CODE: 004.55.00003	PAGE: 5
	REVISION: 0.0

SERIES DESCRIPTION: DISH WASHER	MODEL DESCRIPTION: KNOSSOS 50	MODEL VERSION: KNOSSOS 50 230V ~N 50/60 Hz
------------------------------------	----------------------------------	--

ITEM NO.	PART NUMBER	DESCRIPTION	QTY.
40	003.00.00269	NON RETURN VALVE (DVGW)	1
41	002.00.00233	DETERGENT TANK INJECTOR	1



40 1X

41 1X

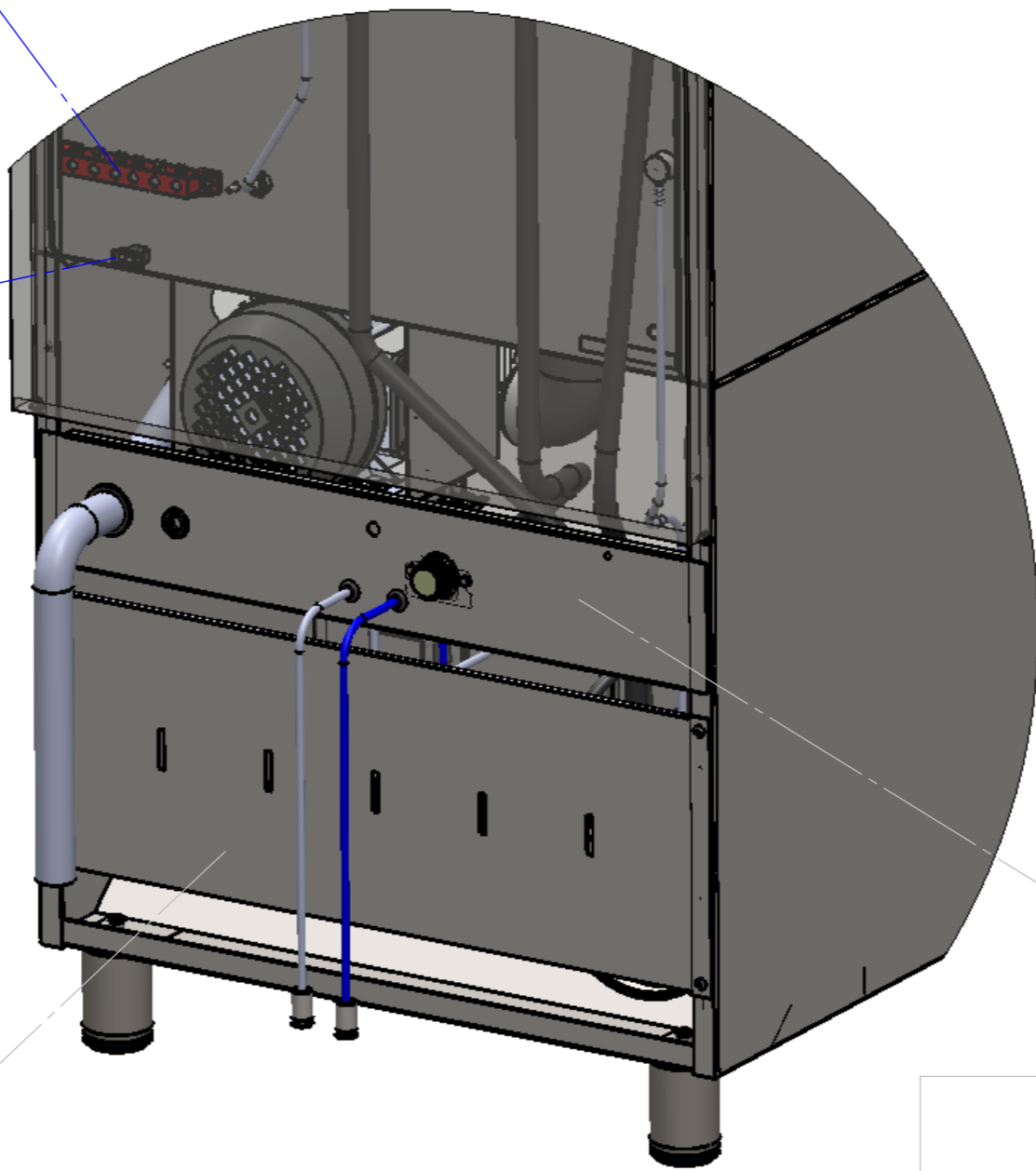
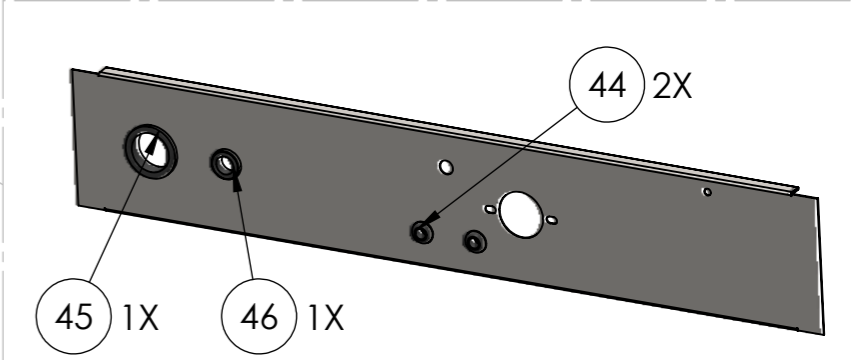
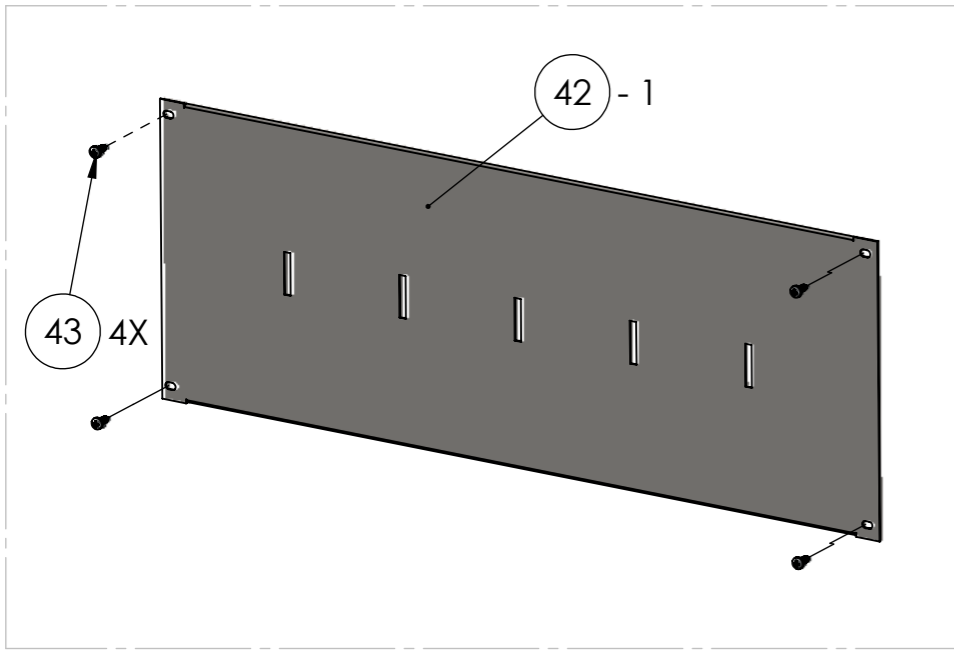
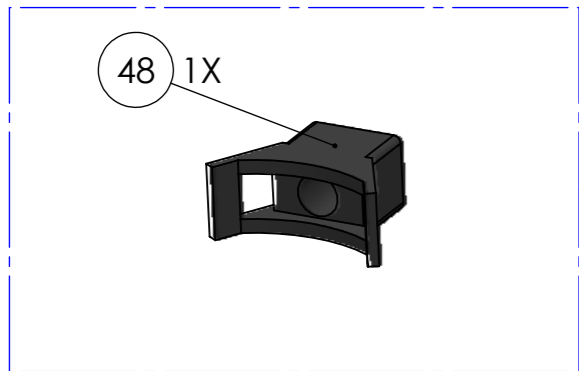
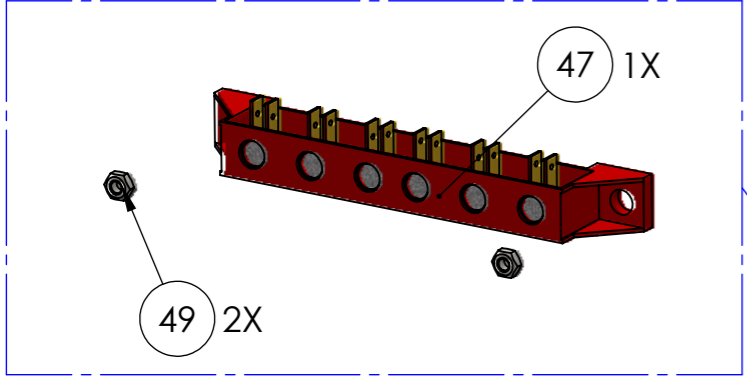
ITEM CODE:	ITEM DESCRIPTION:
MODEL CODE: 004.55.00003	PAGE: 6
	REVISION: 0.0

SERIES DESCRIPTION:
DISH WASHER

MODEL DESCRIPTION:
KNOSSOS 50

MODEL VERSION:
KNOSSOS 50 230V ~N
50/60 Hz

ITEM NO.	PART NUMBER	DESCRIPTION	QTY.
42		Sheet	-
43	003.00.00309	INOX TAPPING SCREW $\Phi 4,1 \times 13$	4
44	003.00.00025	CABLE RUBBER PROTECTOR	2
45	003.00.00466	PIPE RUBBER PROTECTOR	1
46	003.00.00347	RUBBER CABLE PROTECTION N.01	1
47	003.00.00030	POWER SUPPLY BOARD 6CON	1
48	003.00.00494	CABLE PLASTIC CLAMP	1
49	003.00.00046	NUT M4 (GALV)	2



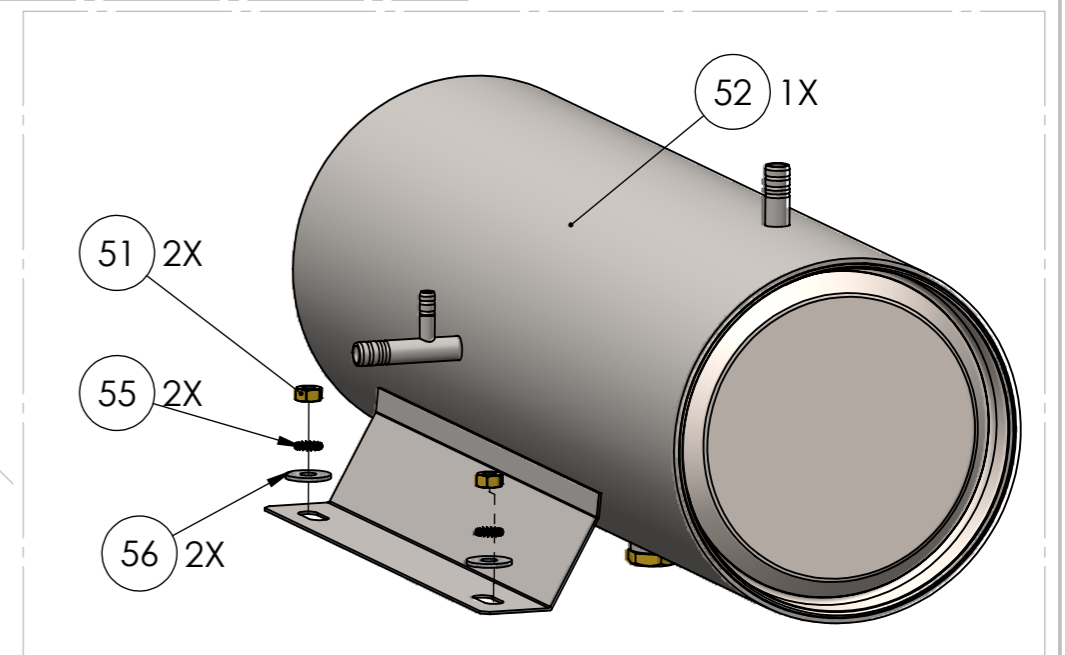
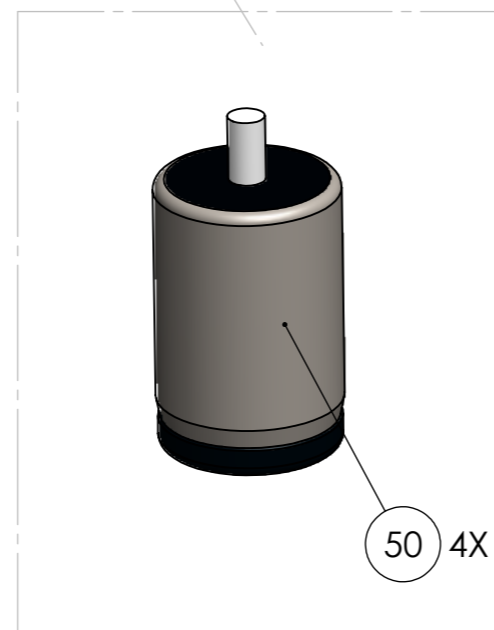
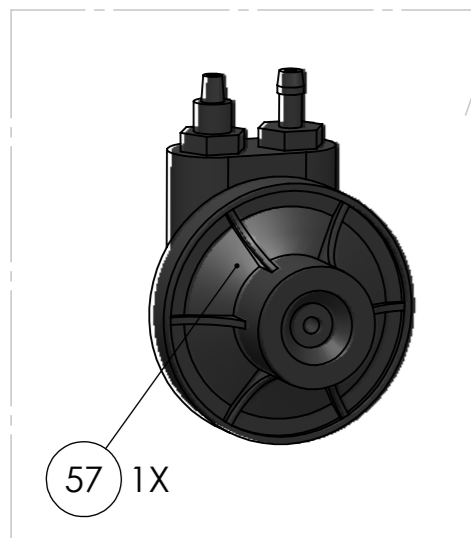
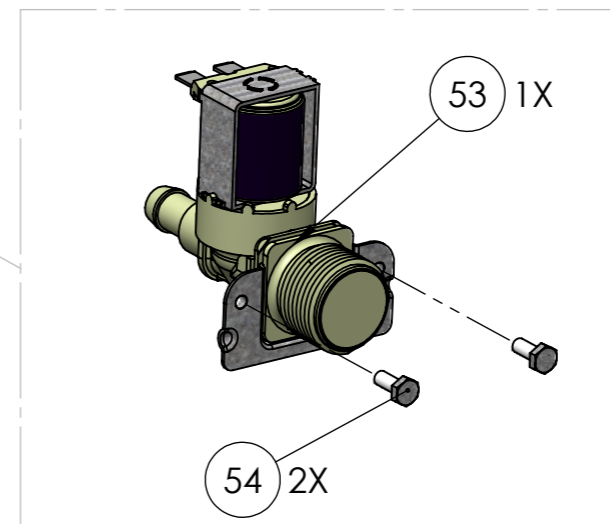
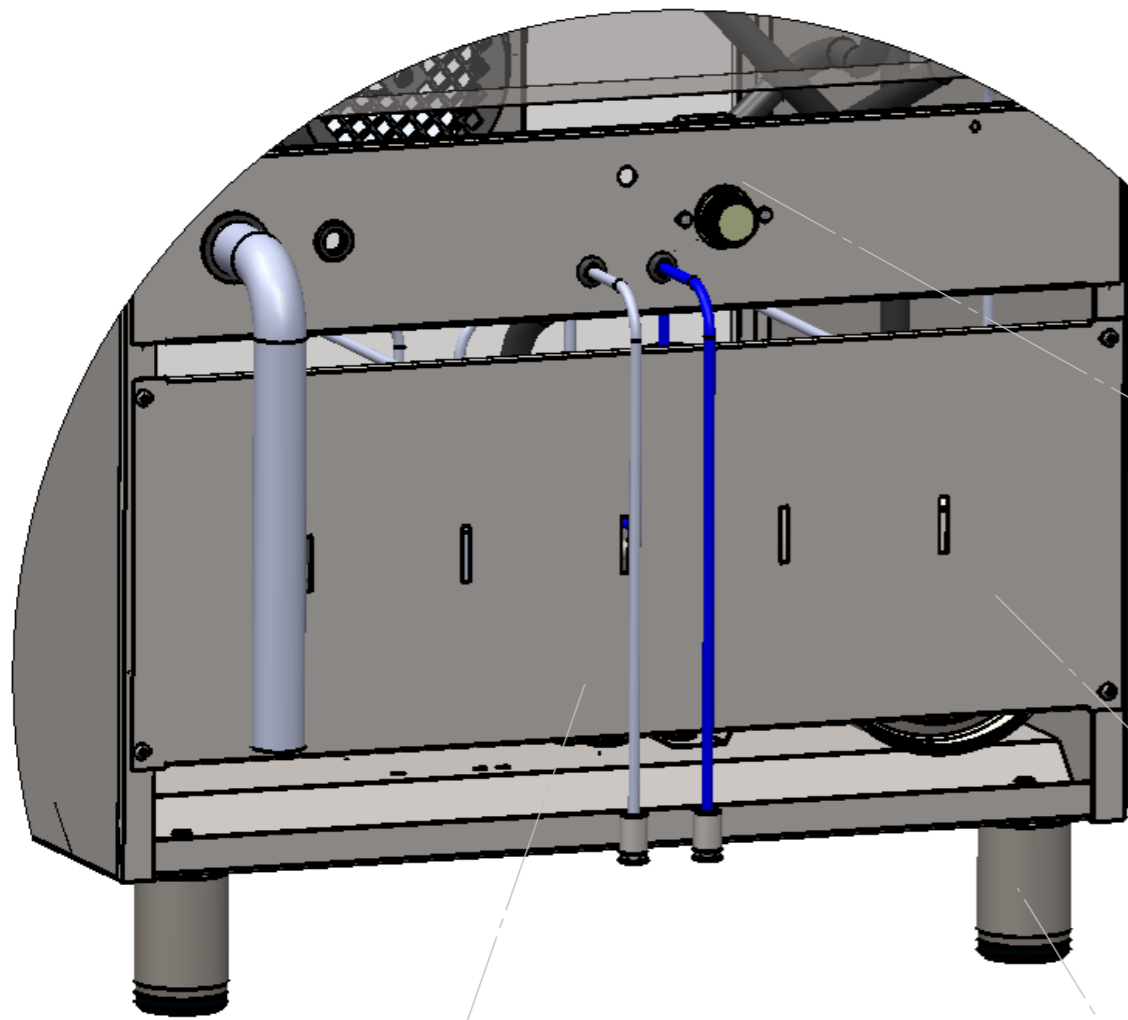
ITEM CODE:	ITEM DESCRIPTION:
MODEL CODE: 004.55.00003	PAGE: 7
	REVISION: 0.0

SERIES DESCRIPTION:
DISH WASHER

MODEL DESCRIPTION:
KNOSSOS 50

MODEL VERSION:
KNOSSOS 50 230V ~N
50/60 Hz

ITEM NO.	PART NUMBER	DESCRIPTION	QTY.
50	001.00.00251	LEVELING FEET F50 H70 M10	4
51	003.00.00041	NUT M6 GALVANISED	2
52	006.55.00001	BOILER KN50 230V COMPLETE	1
53	003.00.00031	WATER INPUT VALVE	1
54	003.00.00278	GALV. BOLT M4X10	2
55	001.00.00204	GALVANIZED LOCK WASHER 6,4x11x0,7	2
56	003.00.00516	WASHER STEEL Φ 6X18	2
57	003.00.00268	HYDRAULIC RINSE AID VALVE	1



SERIES DESCRIPTION:
DISH WASHER

MODEL DESCRIPTION:
KNOSSOS 50

MODEL VERSION:
KNOSSOS 50 230V ~N
50/60 Hz

ITEM CODE:

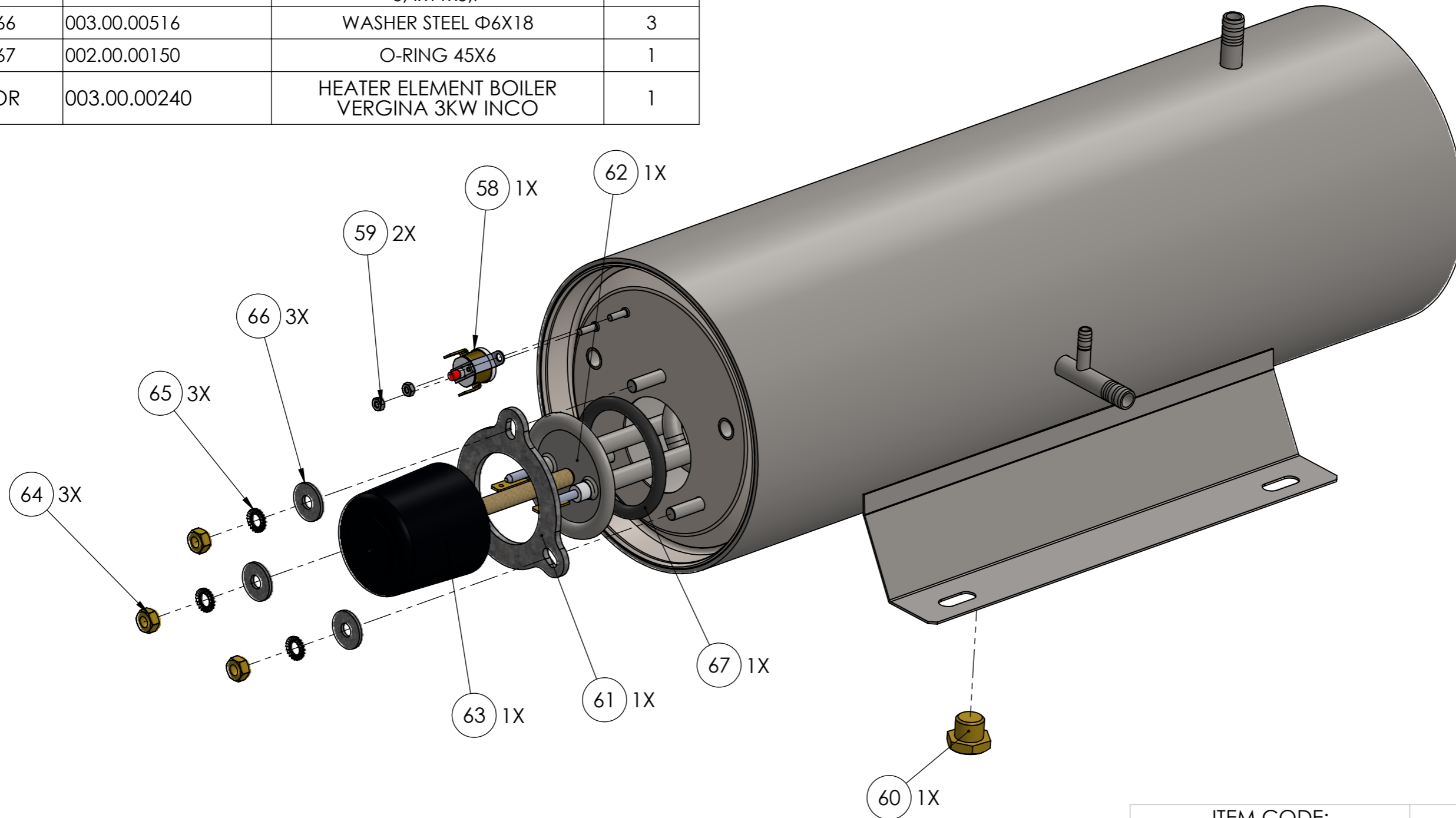
ITEM DESCRIPTION:

MODEL CODE:
004.55.00003

PAGE:
8

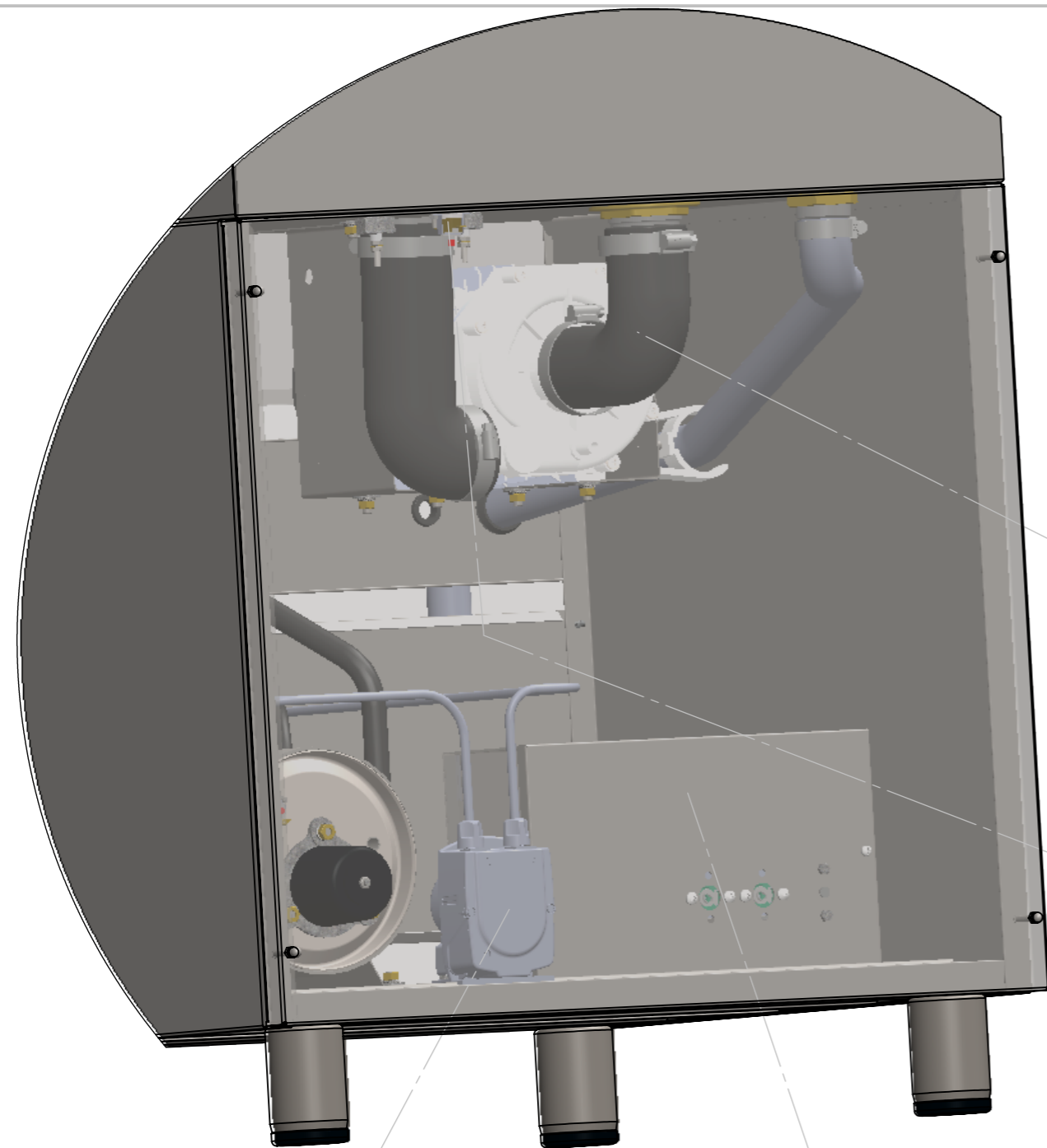
REVISION:
0.0

ITEM NO.	PART NUMBER	DESCRIPTION	QTY.
58	003.00.00180	THERMOFUSE 105C	1
59	002.00.00090	GALV. NUT M3	2
60	002.00.00076	BOILER DRAIN THREADED CAP	1
61	003.00.00260	BOILER ELEMENT FITTING BASE	1
62	003.50.00005	HEATER ELEM. BOILER 3KW 230V V-K	1
63	003.00.00004	HEATER ELEMENT COVER	1
64	003.00.00041	NUT M6 GALVANISED	3
65	001.00.00204	GALVANIZED LOCK WASHER 6,4x11x0,7	3
66	003.00.00516	WASHER STEEL $\Phi 6 \times 18$	3
67	002.00.00150	O-RING 45X6	1
OR	003.00.00240	HEATER ELEMENT BOILER VERGINA 3KW INCO	1

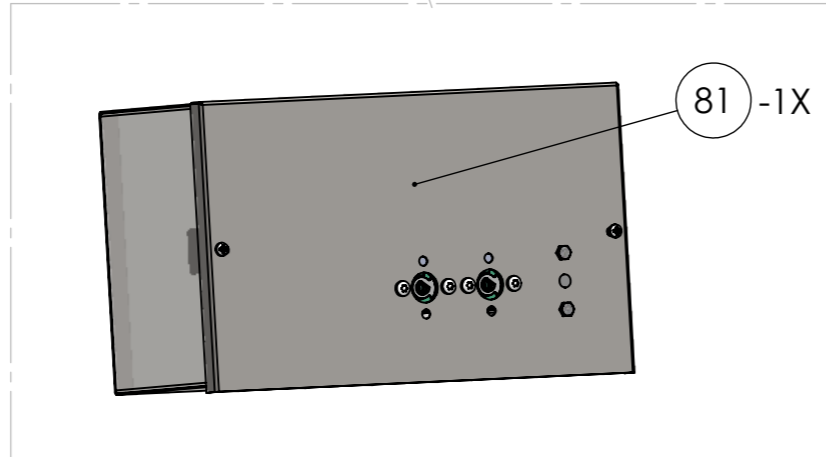
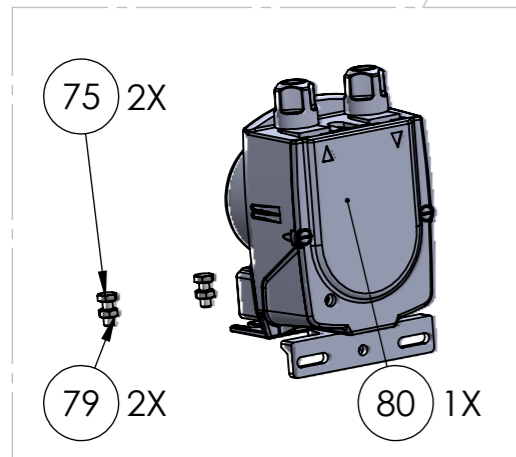
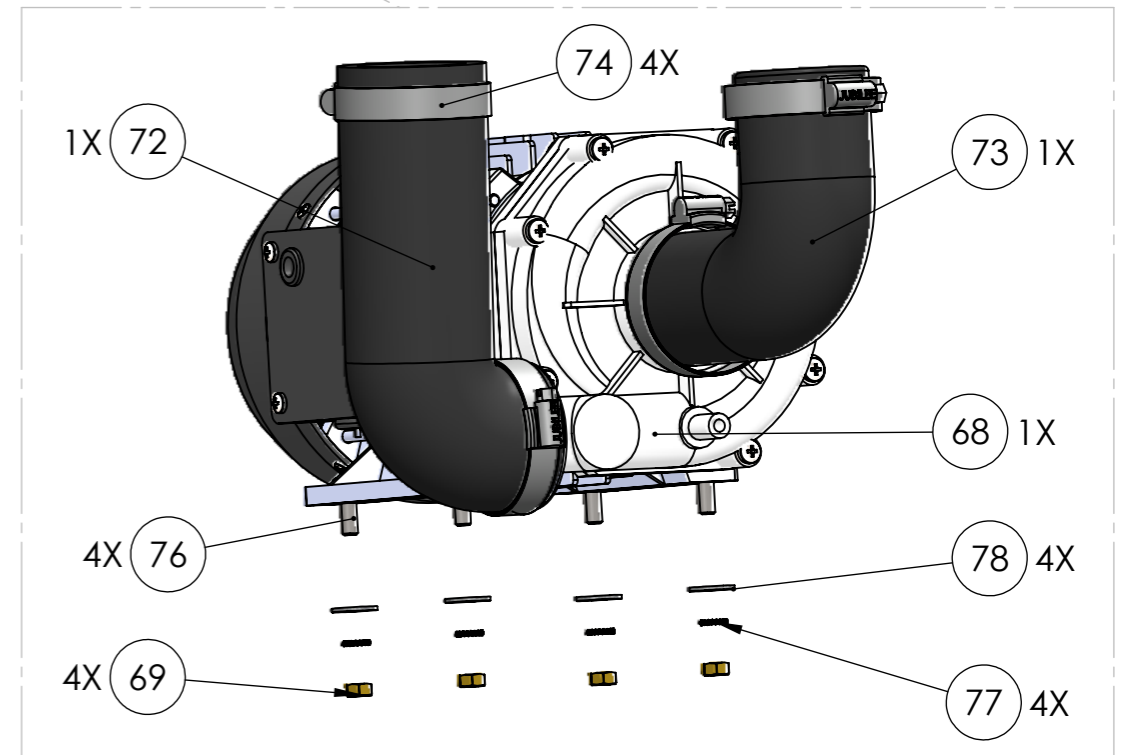
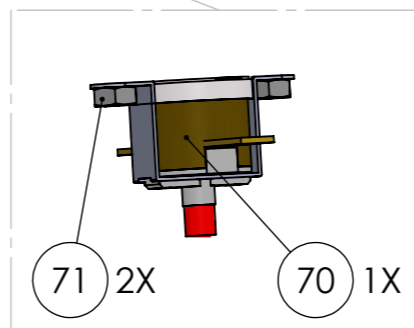


ITEM CODE: 006.55.00001	ITEM DESCRIPTION: BOILER WITH HEATING ELEMENT COMPLETE
MODEL CODE: 004.55.00003	PAGE: 9
	REVISION: 0.0

SERIES DESCRIPTION: DISH WASHER	MODEL DESCRIPTION: KNOSSOS 50	MODEL VERSION: KNOSSOS 50 230V ~N 50/60 Hz
------------------------------------	----------------------------------	--



ITEM NO.	PART NUMBER	DESCRIPTION	QTY.
68	003.00.00350	PUMP 0,75Hp 50Hz 230V IP44	1
69	003.00.00041	NUT M6 GALVANISED	4
70	003.00.00168	THERMOFUSE TANK 90C	1
71	002.00.00090	GALV. NUT M3	2
72	002.50.00032-2	WASH PUMP HOSE (OUTLET) VE-KN	1
73	002.00.00127-1	WASH PUMP HOSE (INPUT)	1
74	002.00.00050	CLAMP 40-60	4
75	003.00.00278	GALV. BOLT M4X10	2
76	003.00.00104	INOX HEX BOLT M6X20	4
77	001.00.00204	GALVANIZED LOCK WASHER 6,4x11x0,7	4
78	003.00.00516	WASHER STEEL Φ6X18	4
79	003.00.00046	NUT M4 (GALV)	2
80	003.00.00429	PERISTALTIC DETERGENT PUMP G300 / 230V	1
81	006.55.00003	ELECTRICAL BOX COMPLETE KNOSSOS 230V	1



SERIES DESCRIPTION:
DISH WASHER

MODEL DESCRIPTION:
KNOSSOS 50

MODEL VERSION:
KNOSSOS 50 230V ~N
50/60 Hz

MODEL CODE:
004.55.00003

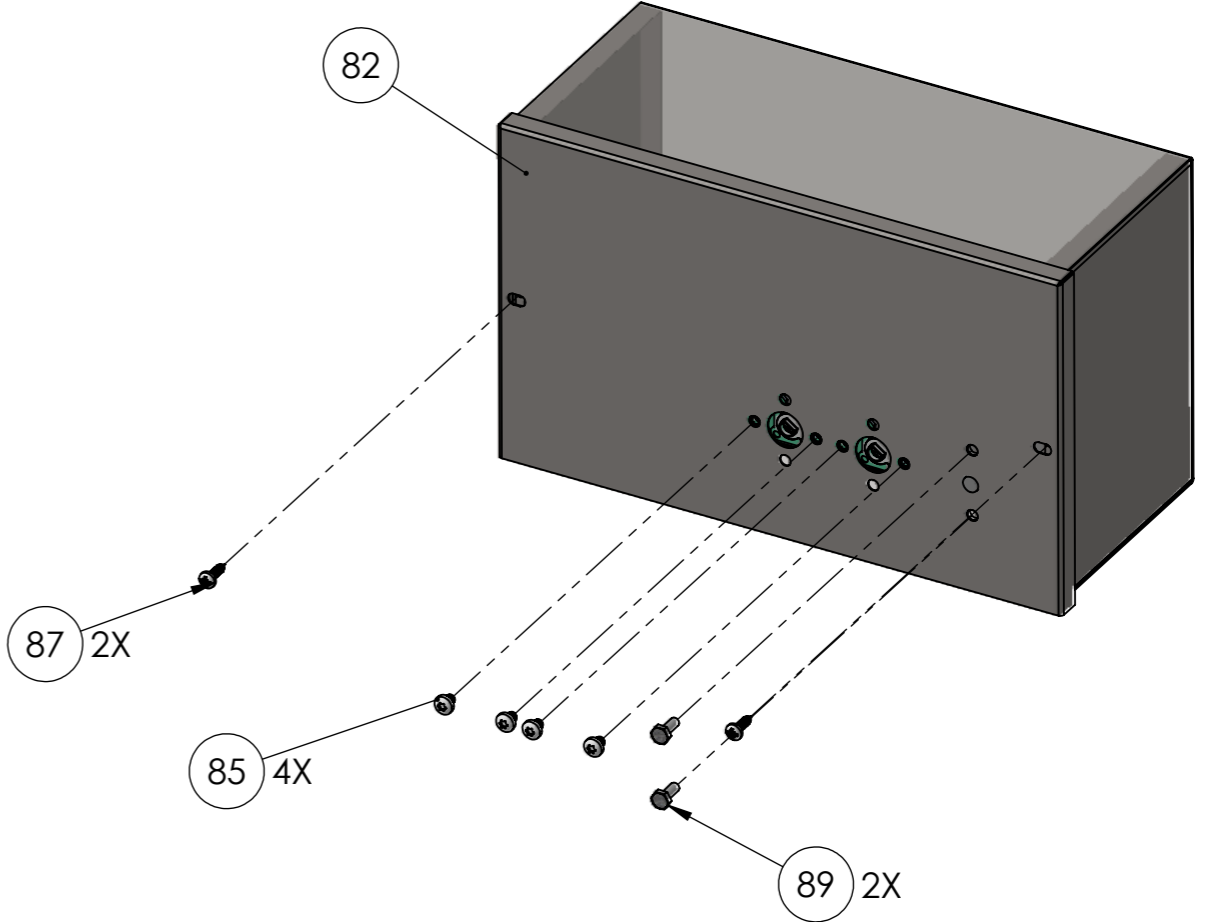
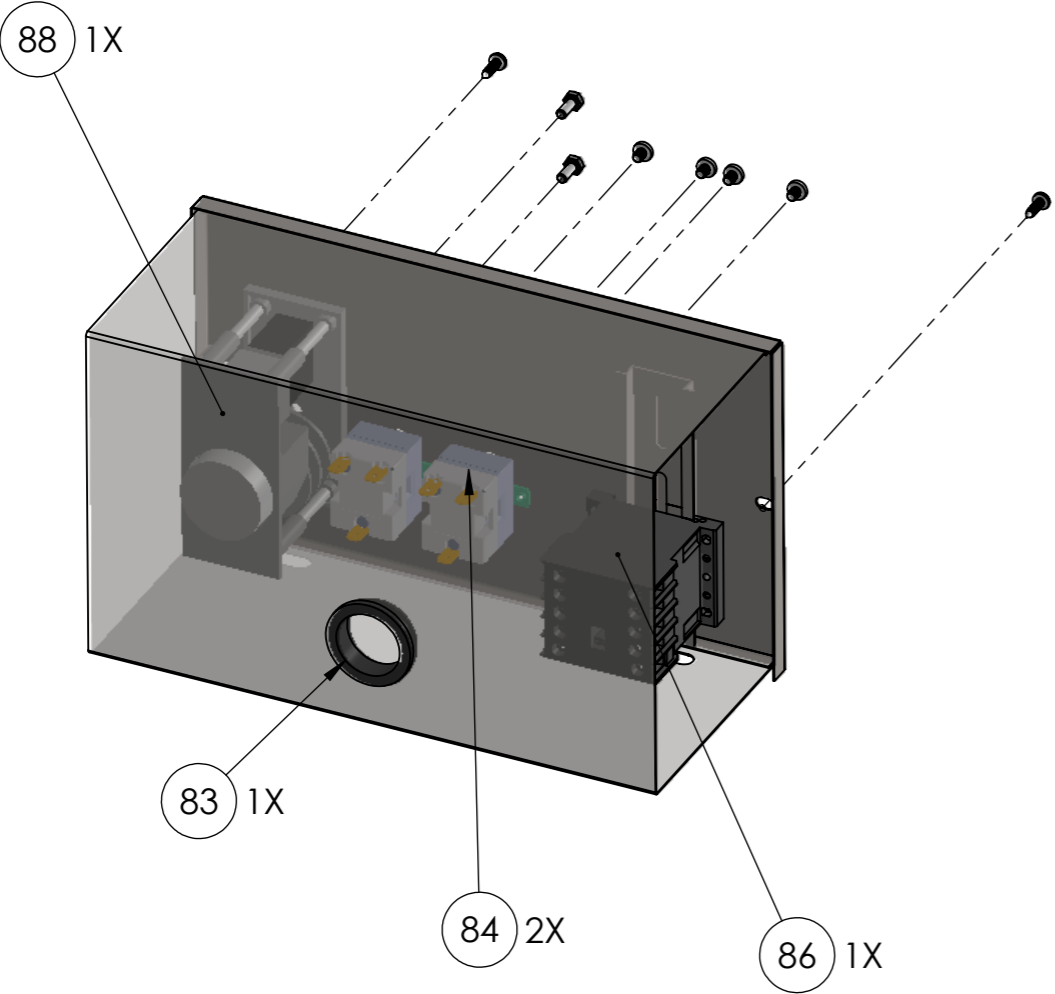
PAGE:
10

REVISION:
0.0

ITEM CODE:

ITEM DESCRIPTION:

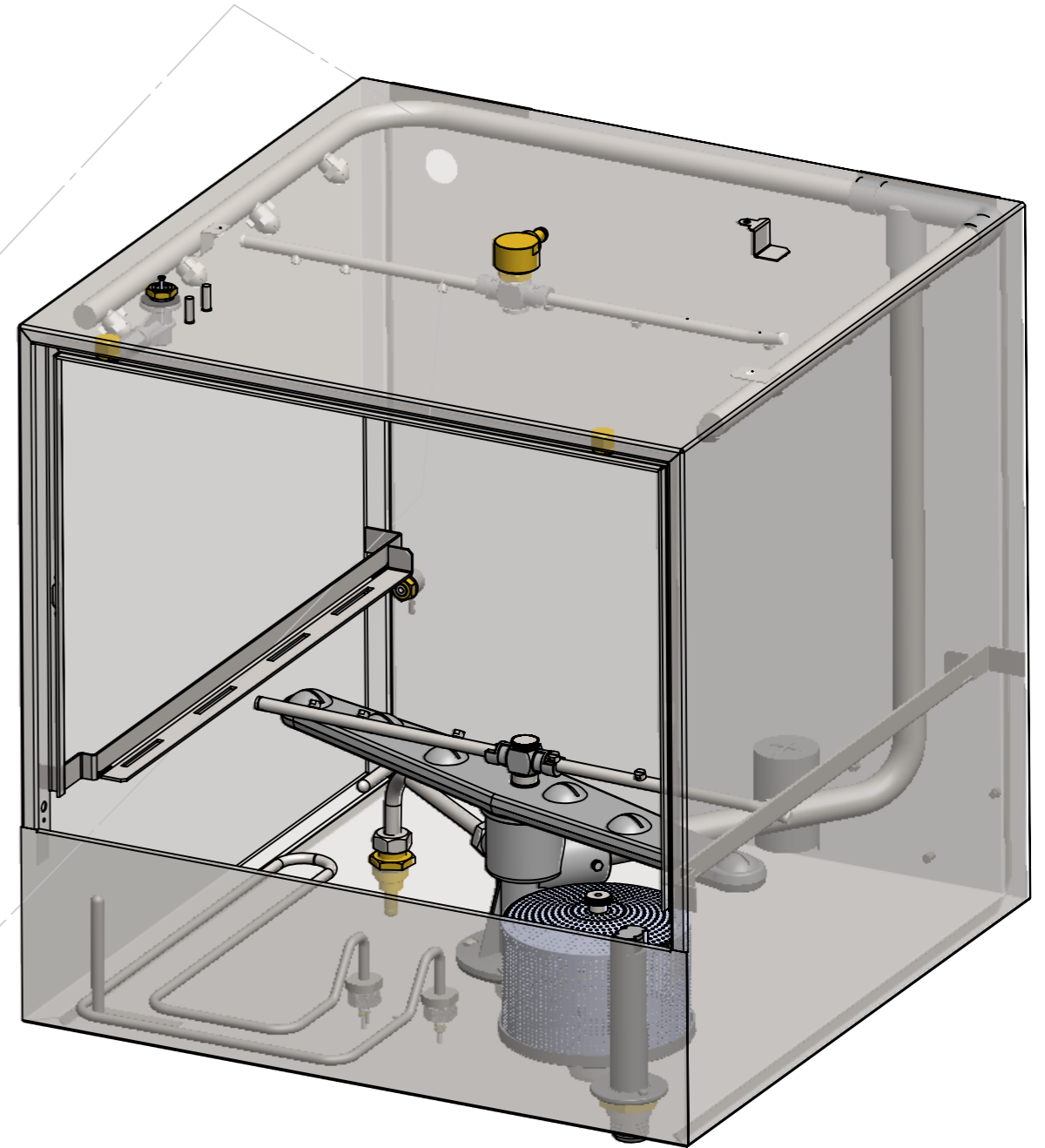
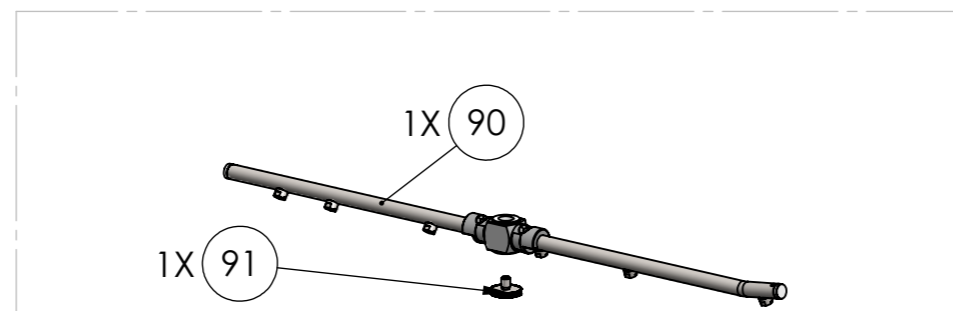
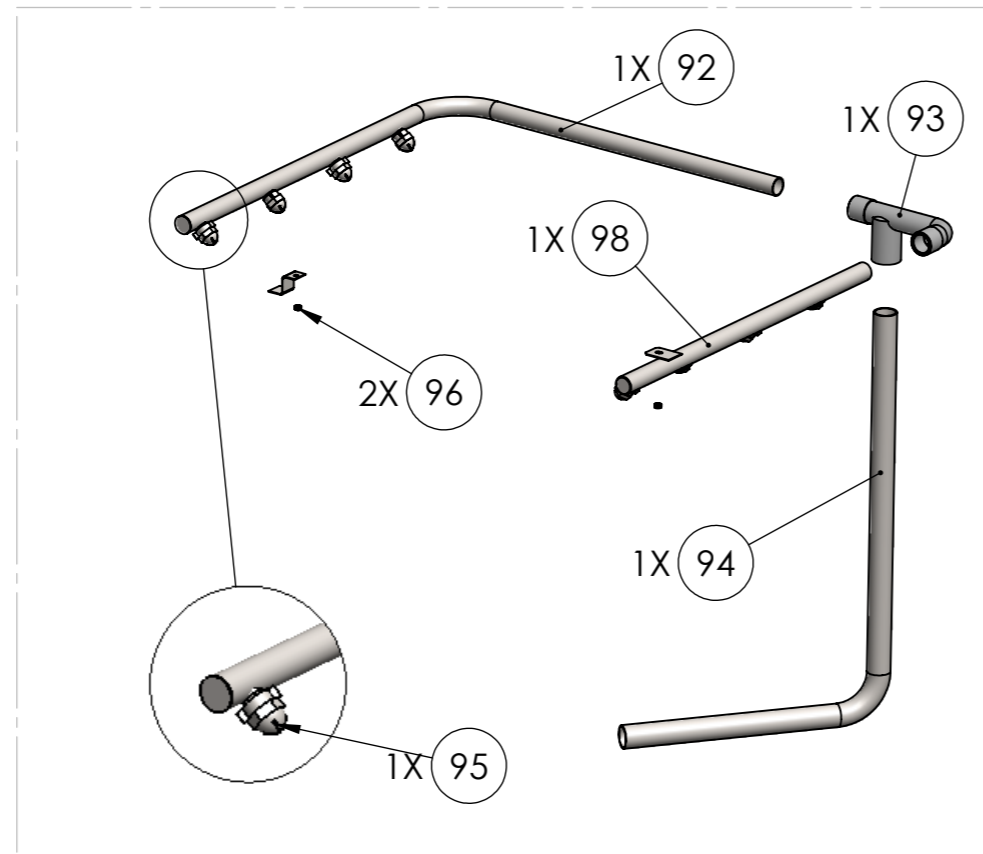
ITEM NO.	PART NUMBER	DESCRIPTION	QTY.
82	001.00.00188	ELECTRICAL BOARD CASING KN50	1
83	003.00.00466	PIPE RUBBER PROTECTOR	1
84	003.00.00213	THERMOSTAT 0-99C 1500mm	2
85	001.00.00076	GALVANIZED MACHINE SCREW M4 X 5	4
86	003.00.00056	MAGNETIC CONTACTOR	1
87	003.00.00377	INOX MACHINE SCREW 3,5 X 13	2
88	003.00.00448	TIMER 120 SEC Q. START	1
89	003.00.00278	GALV. BOLT M4X10	2



ITEM CODE: 006.55.00003	ITEM DESCRIPTION: ELECTRICAL BOX COMPLETE KNOSSOS 230V
MODEL CODE: 004.55.00003	PAGE: 11
	REVISION: 0.0

SERIES DESCRIPTION: DISH WASHER	MODEL DESCRIPTION: KNOSSOS 50	MODEL VERSION: KNOSSOS 50 230V ~N 50/60 Hz
------------------------------------	----------------------------------	--

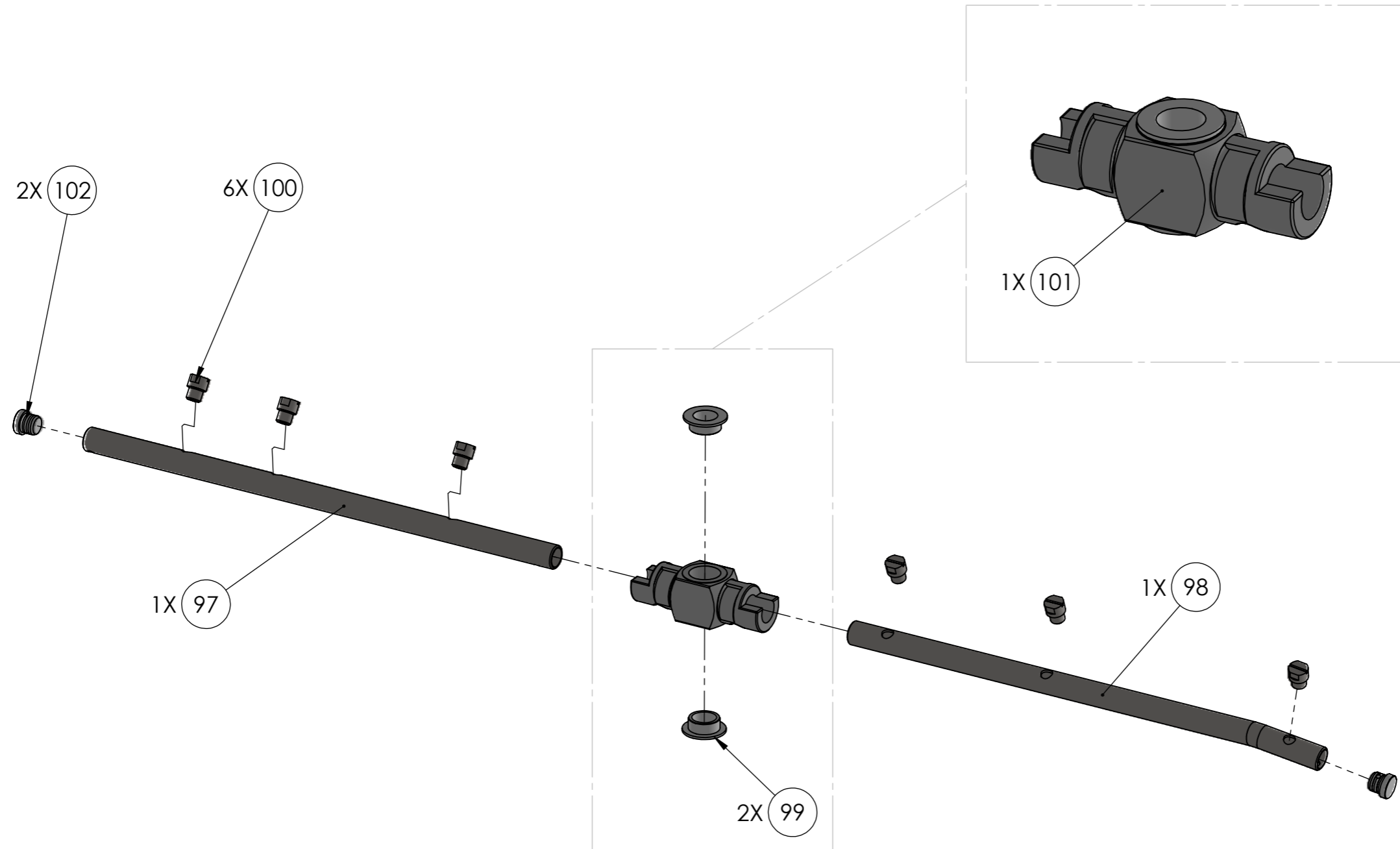
ITEM NO.	PART NUMBER	DESCRIPTION	QTY.
90	002.50.00026	RINSING ARM UP OR DOWN V-K	1
91	002.50.00004-1	LOCK NUT FOR RINSING ARM	1
92	002.50.00019	WASHING UPPER SYSTEM INOX UP-LEFT	1
93	002.50.00017	CONNECTOR WASHING SYSTEM PLASTIC	1
94	002.50.00018	WASHING UPPER SYSTEM INOX SUPPLY PIPE	1
95	002.50.00030	SPRAYER FOR UPPER WASH ARMS	8
96	002.00.00095	INOX NUT M4	2



ITEM CODE:	ITEM DESCRIPTION:
MODEL CODE: 004.55.00003	PAGE: 12
	REVISION: 0.0

SERIES DESCRIPTION: DISH WASHER	MODEL DESCRIPTION: KNOSSOS 50	MODEL VERSION: KNOSSOS 50 230V ~N 50/60 Hz
------------------------------------	----------------------------------	--

ITEM NO.	PART NUMBER	DESCRIPTION	QTY.
97	002.50.00005 (B)	RINSING ARM SINGLE - B	1
98	002.50.00005 (A)	RINSING ARM - A	1
99	002.00.00230	TEFLON Φ 18X6	2
100	002.11.00008	SPRAYER FOR RINSING ARM BL,EU,VE,KN,1500	6
101	002.50.00026	RINSING ARM UP OR DOWN V-K	1
102	002.35.00047	CAP FOR RINSE ARMS	2



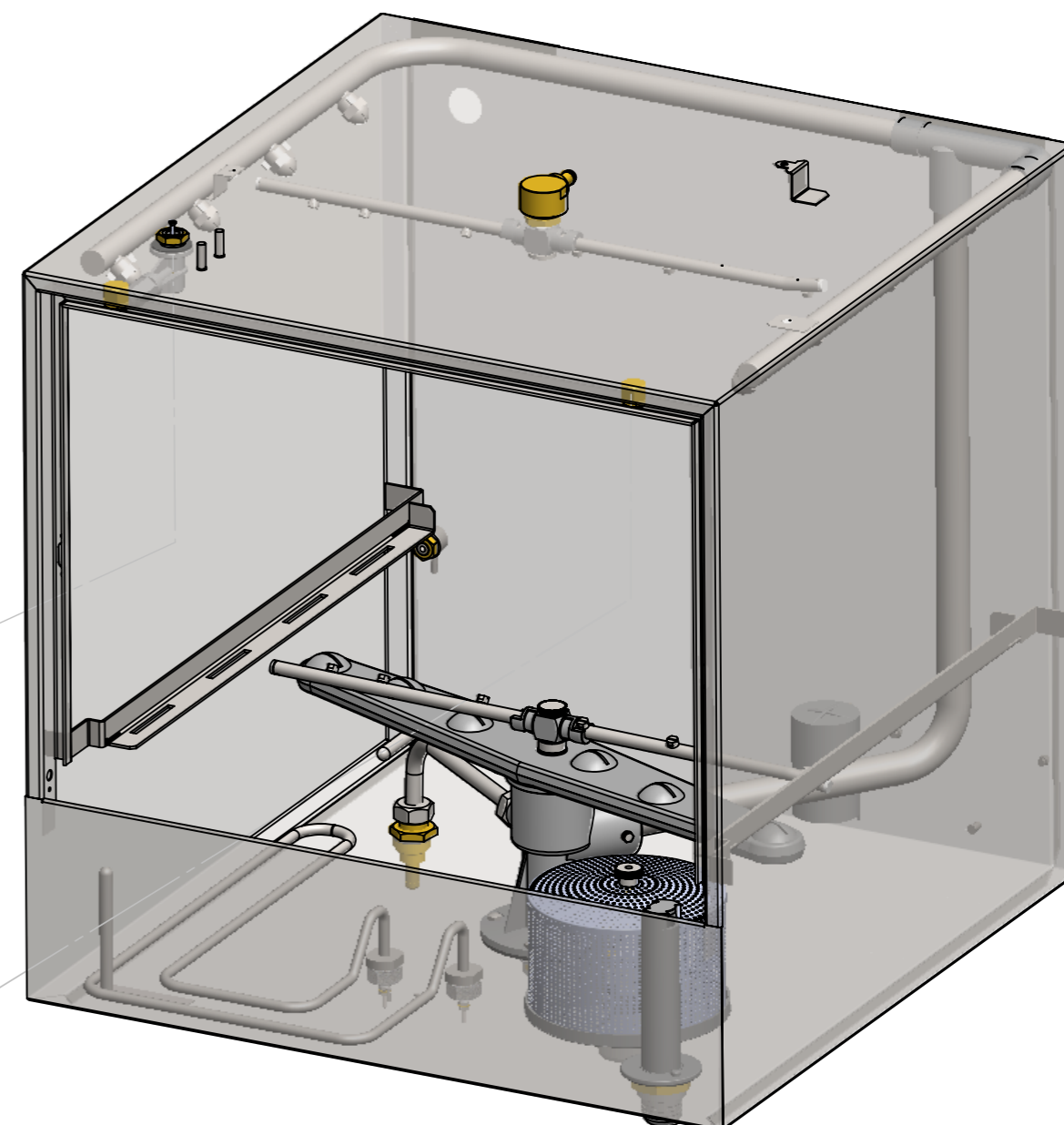
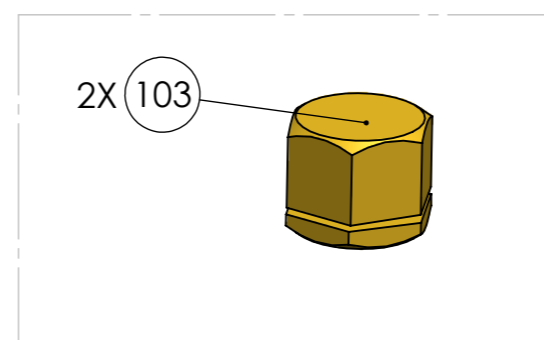
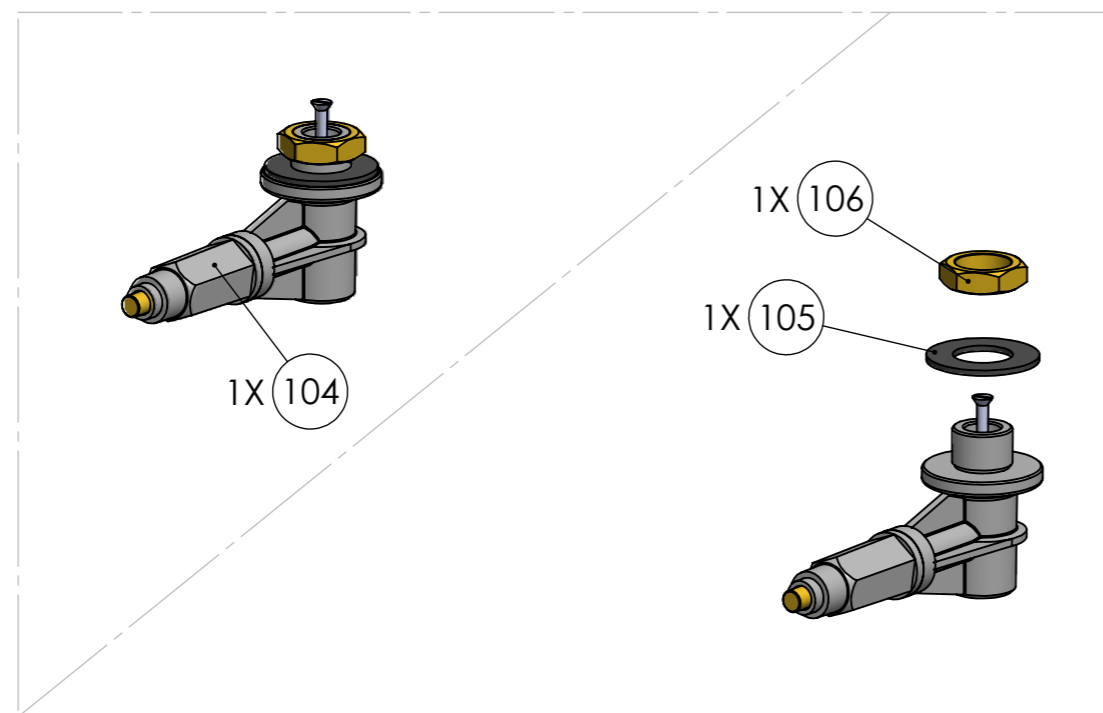
ITEM CODE: 002.50.00026	ITEM DESCRIPTION:
MODEL CODE: 004.55.00003	PAGE: 13
	REVISION: 0.0

SERIES DESCRIPTION:
DISH WASHER

MODEL DESCRIPTION:
KNOSSOS 50

MODEL VERSION:
KNOSSOS 50 230V ~N
50/60 Hz

ITEM NO.	PART NUMBER	DESCRIPTION	QTY.
103	001.00.00051	DOOR SNAP SET	2
104	003.00.00231	DOOR SWITCH MECH. PART	1
105	003.00.00489	RUBBER GASKET 16X30X3	1
106	003.00.00071	NUT FOR DOOR SWITCH	1



ITEM CODE:

ITEM DESCRIPTION:

MODEL CODE:
004.55.00003

PAGE:
14

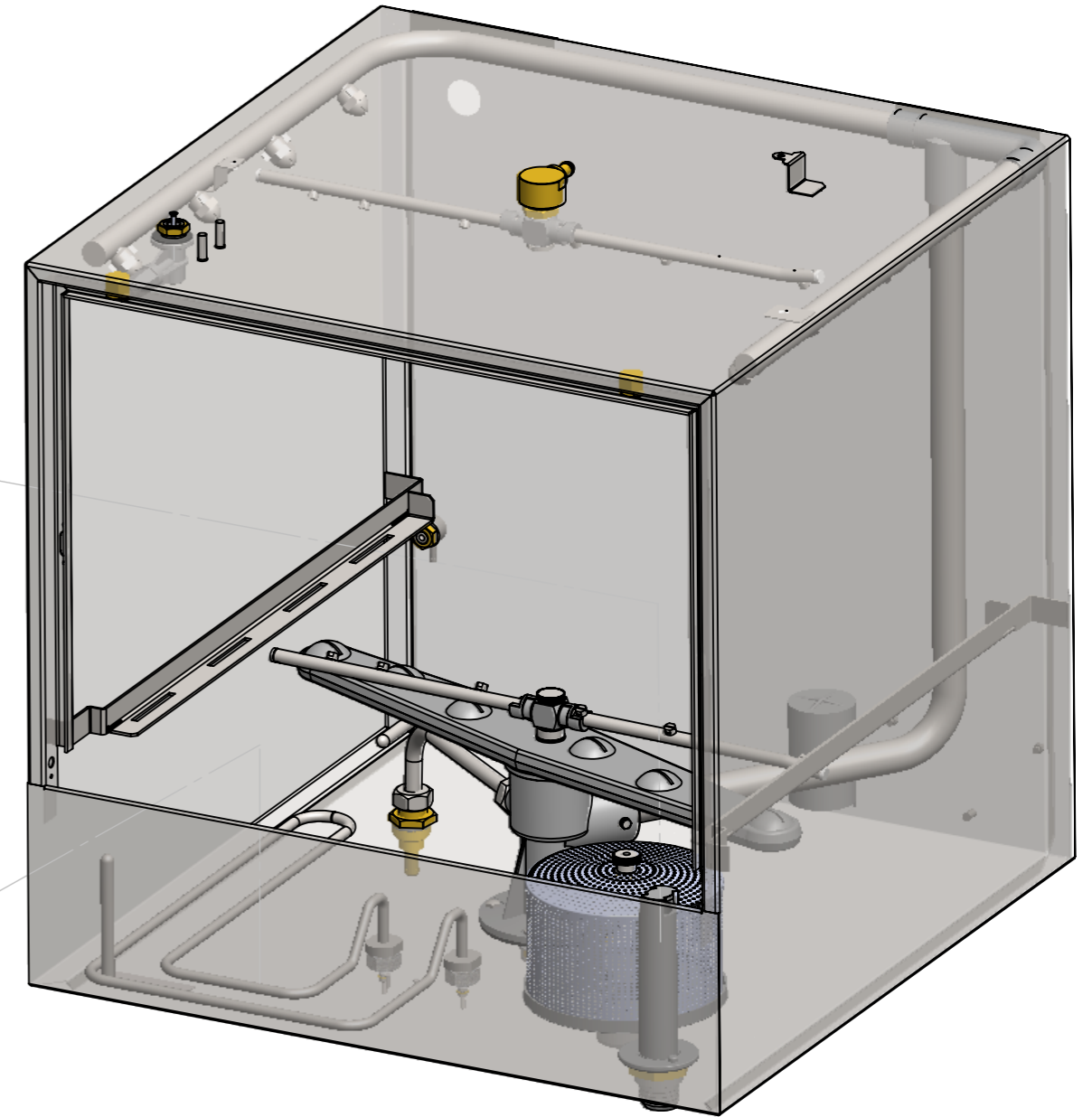
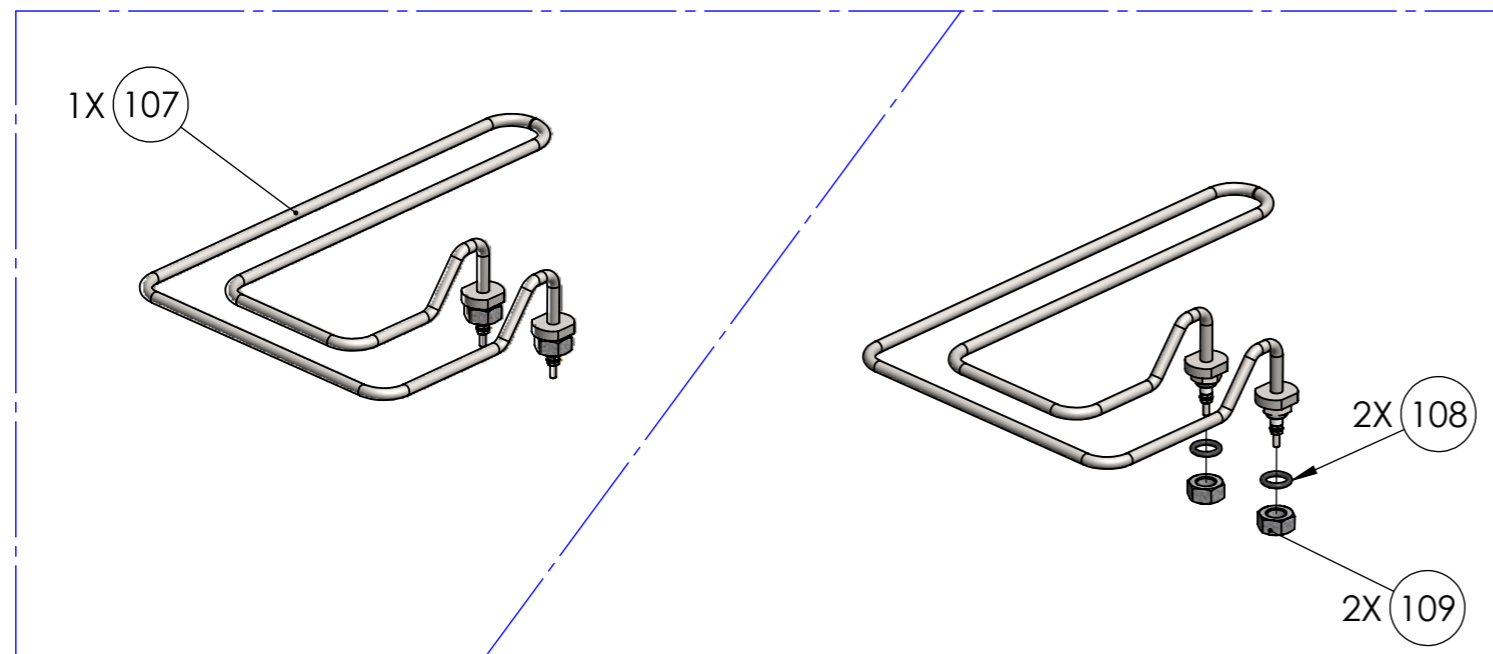
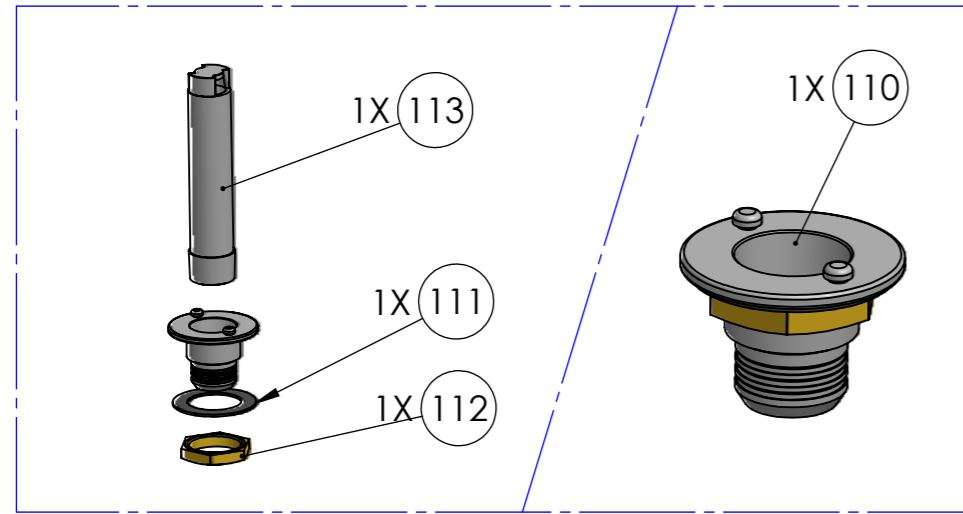
REVISION:
0.0

SERIES DESCRIPTION:
DISH WASHER

MODEL DESCRIPTION:
KNOSSOS 50

MODEL VERSION:
KNOSSOS 50 230V ~N
50/60 Hz

ITEM NO.	PART NUMBER	DESCRIPTION	QTY.
107	003.50.00008	HEATER ELEMENT TANK 2,8 kW / 230V	1
108	002.00.00100	O-RING 14X3.5	2
109	003.00.00074	NUT 14 (GALV.)	2
110	002.00.00257	DRAIN & OVERFLOW VALVE PLASTIC BASE	1
111	002.00.00238	RUBBER GASKET 35X55X1	1
112	002.00.00133	BRONZE NUT M36	1
113	002.70.00013	DRAIN AND OVERFLOW VALVE PLASTIC PART NEW V-K	1
OR	003.50.00016	HEATER ELEMENT TANK VERGINA 2.8KW INCO	1



SERIES DESCRIPTION:
DISH WASHER

MODEL DESCRIPTION:
KNOSSOS 50

MODEL VERSION:
KNOSSOS 50 230V ~N
50/60 Hz

ITEM CODE:

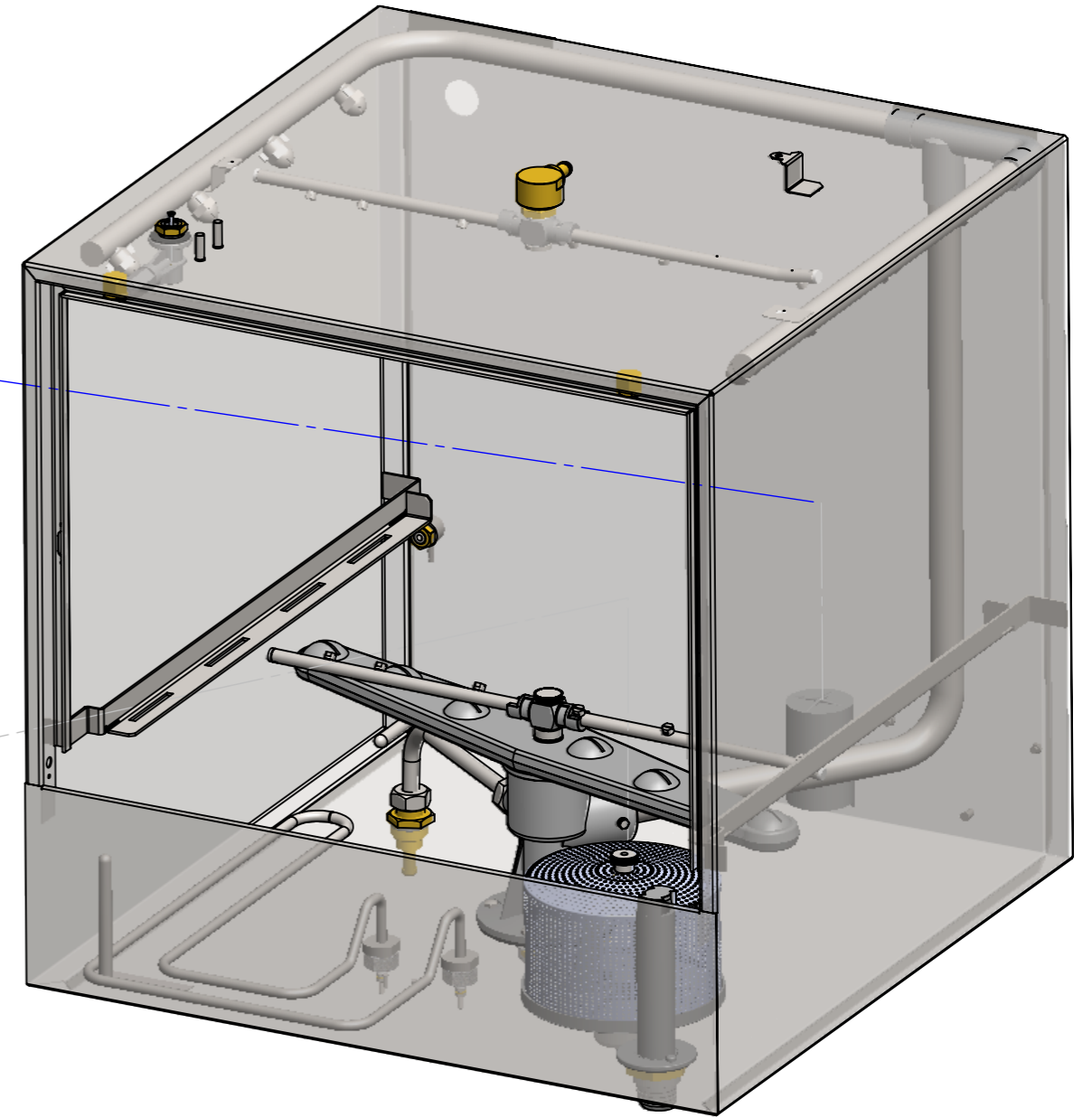
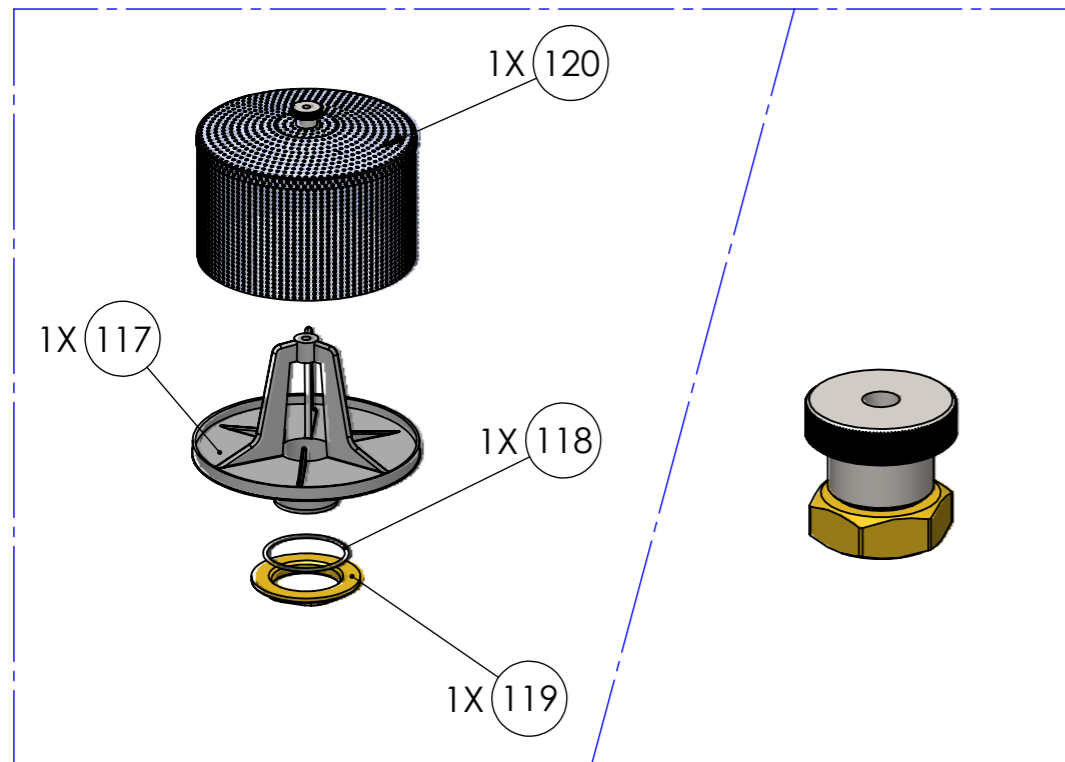
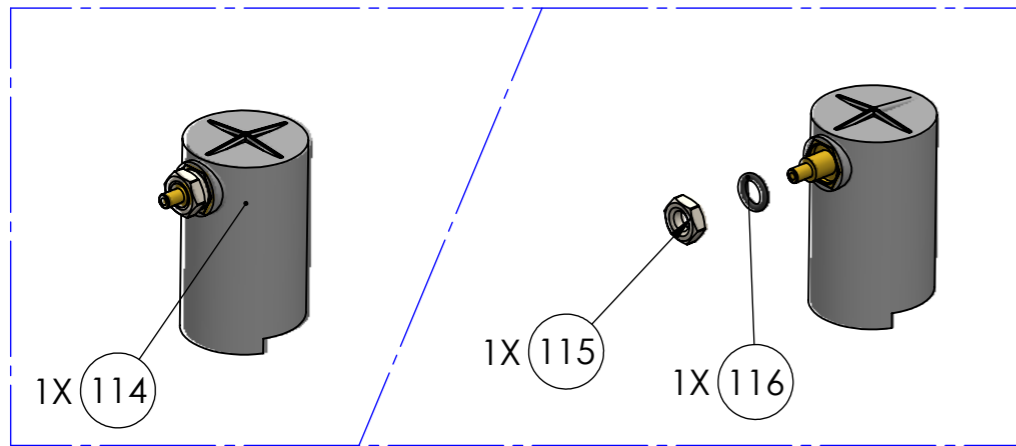
ITEM DESCRIPTION:

MODEL CODE:
004.55.00003

PAGE:
15

REVISION:
0.0

ITEM NO.	PART NUMBER	DESCRIPTION	QTY.
114	003.00.00014	PRESSOSTAT CHAMBER	1
115	002.00.00087	NUT M10	1
116	002.00.00091	ORING 3X10,5	1
117	002.00.00081	PLASTIC BASE FOR TANK FILTER V-K	1
118	002.00.00093	ORING 52X2,5	1
119	002.00.00037	NUT 1 1/2"	1
120	002.70.00000	FILTER IN THE TANK FOR THE PUMP V-KN	1

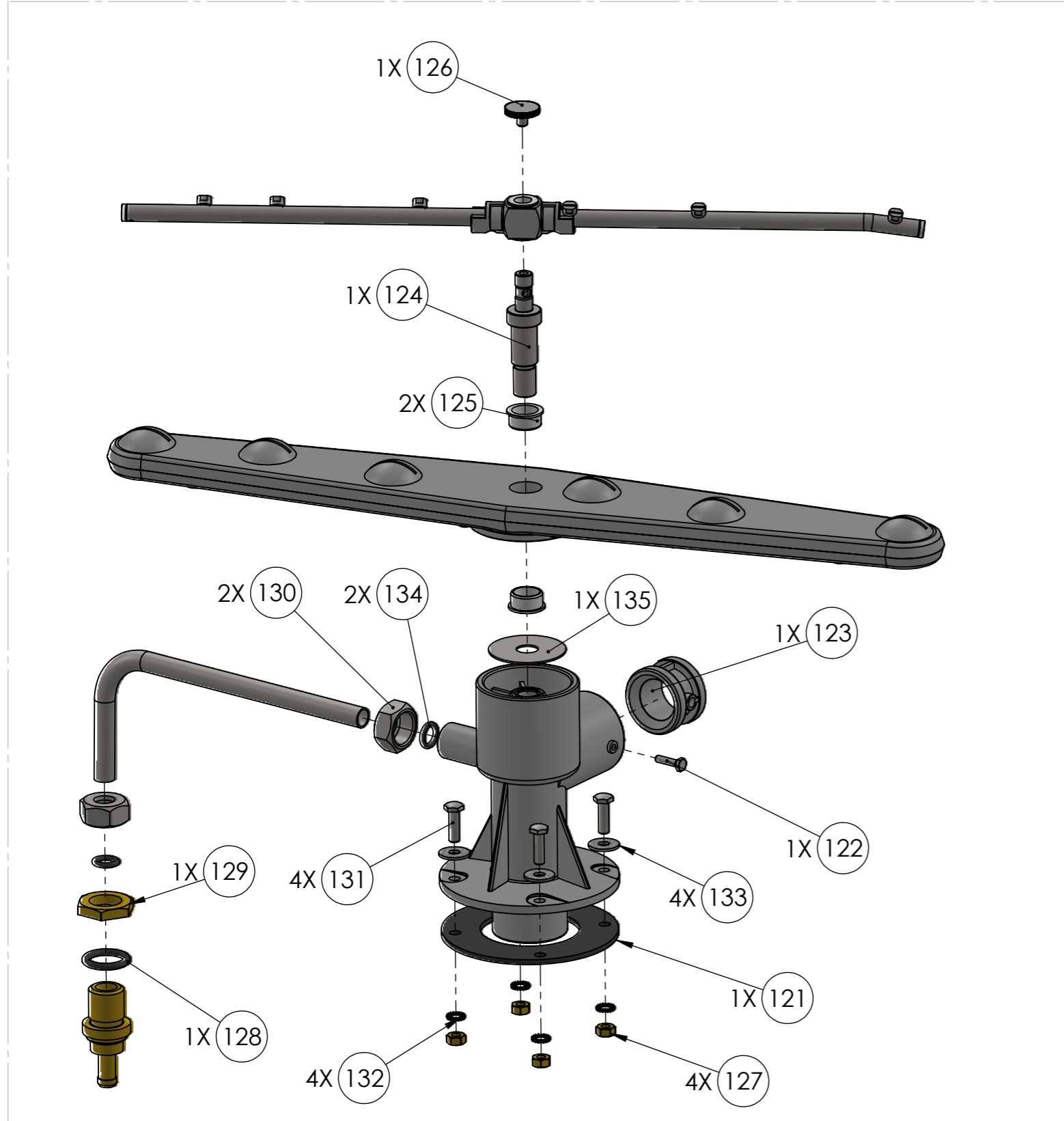


ITEM CODE:	ITEM DESCRIPTION:
MODEL CODE: 004.55.00003	PAGE: 16
	REVISION: 0.0

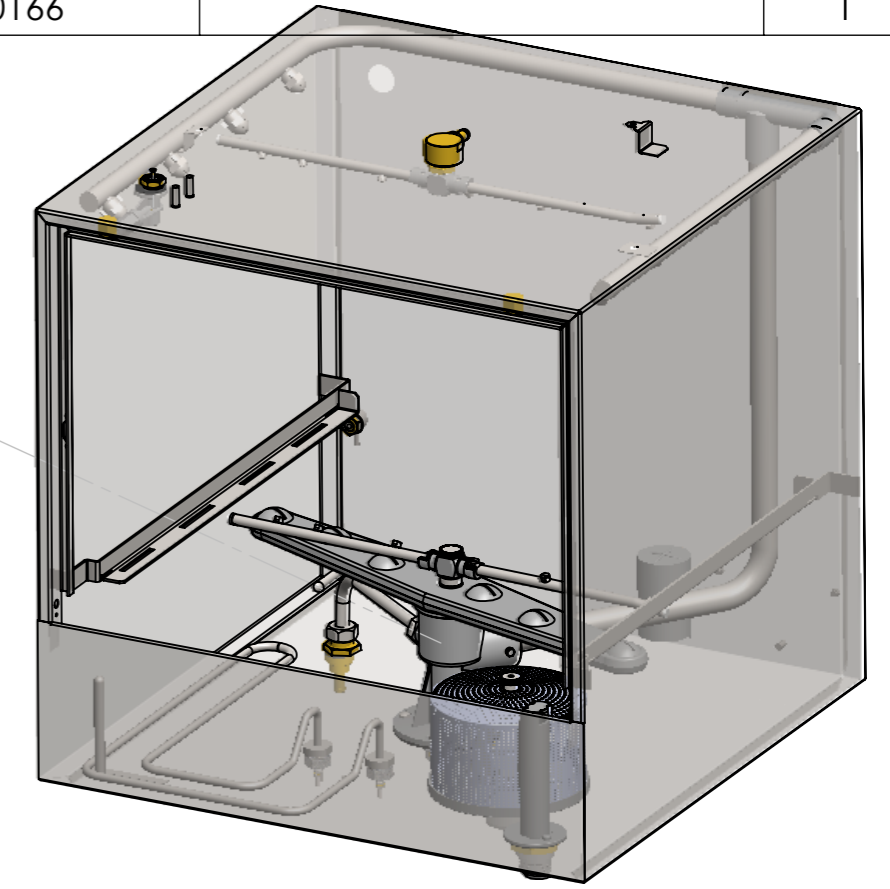
SERIES DESCRIPTION:
DISH WASHER

MODEL DESCRIPTION:
KNOSSOS 50

MODEL VERSION:
KNOSSOS 50 230V ~N
50/60 Hz



ITEM NO.	PART NUMBER	DESCRIPTION	QTY.
121	002.00.00105	RUBBER GASKET 103X58X3	1
122	003.00.00106	INOX HEX BOLT M4X15	1
123	002.50.00024	ADAPTOR Φ 40-25 FOR WASH BASE	1
124	002.11.00002	AXLE INOX FOR BASE DOWN V500	1
125	002.00.00229	TEFLON Φ 23X10	2
126	002.50.00004-1	LOCK NUT FOR RINSING ARM	1
127	003.00.00041	NUT M6 GALVANISED	4
128	002.00.00097	O-RING 20X4	1
129	002.00.00062	NUT 1/2	1
130	002.00.00144	RINSE PIPE RETAINING NUT	2
131	003.00.00104	INOX HEX BOLT M6X20	4
132	001.00.00204	GALVANIZED LOCK WASHER 6,4x11x0,7	4
133	003.00.00516	WASHER STEEL Φ 6X18	4
134	002.00.00091	ORING 3X10,5	2
135	002.50.00016	FLOW CONTROL DISK FOR BASE V-K	1
136	003.00.00166		1



SERIES DESCRIPTION:
DISH WASHER

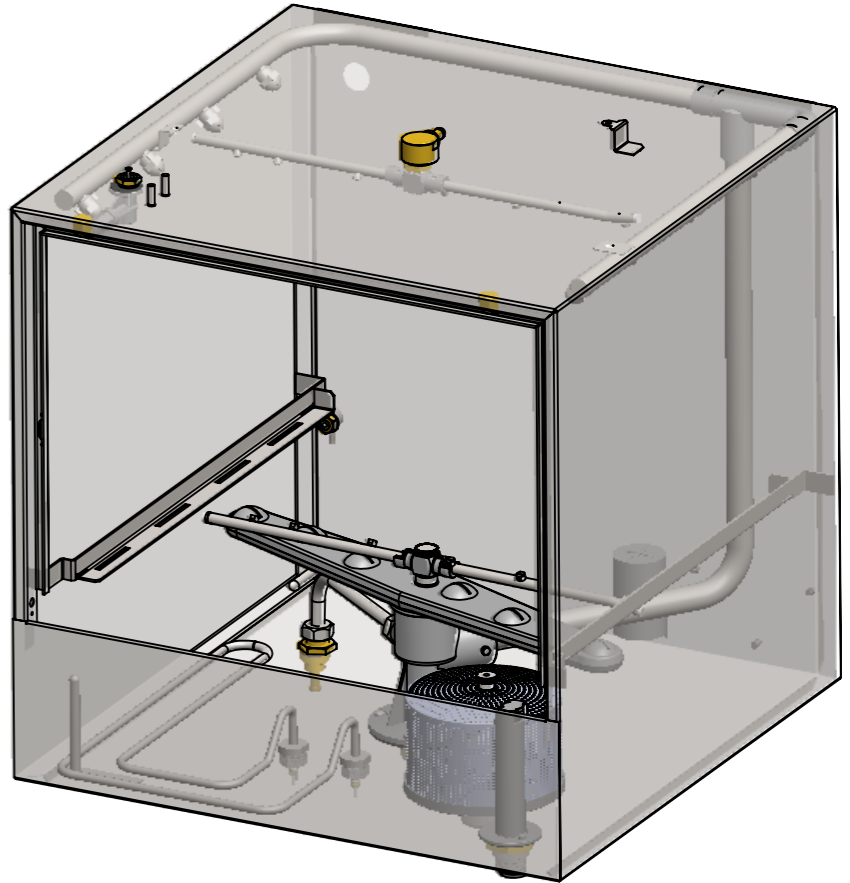
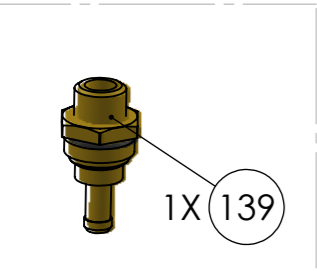
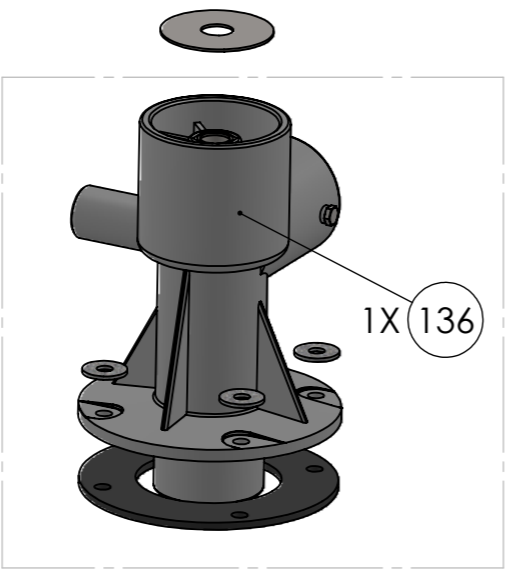
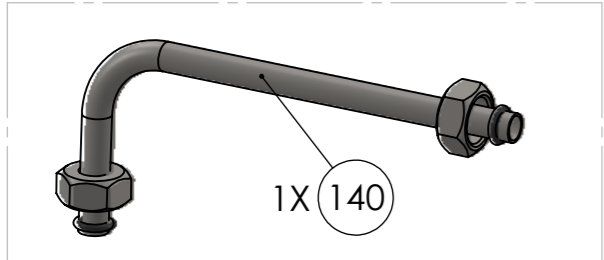
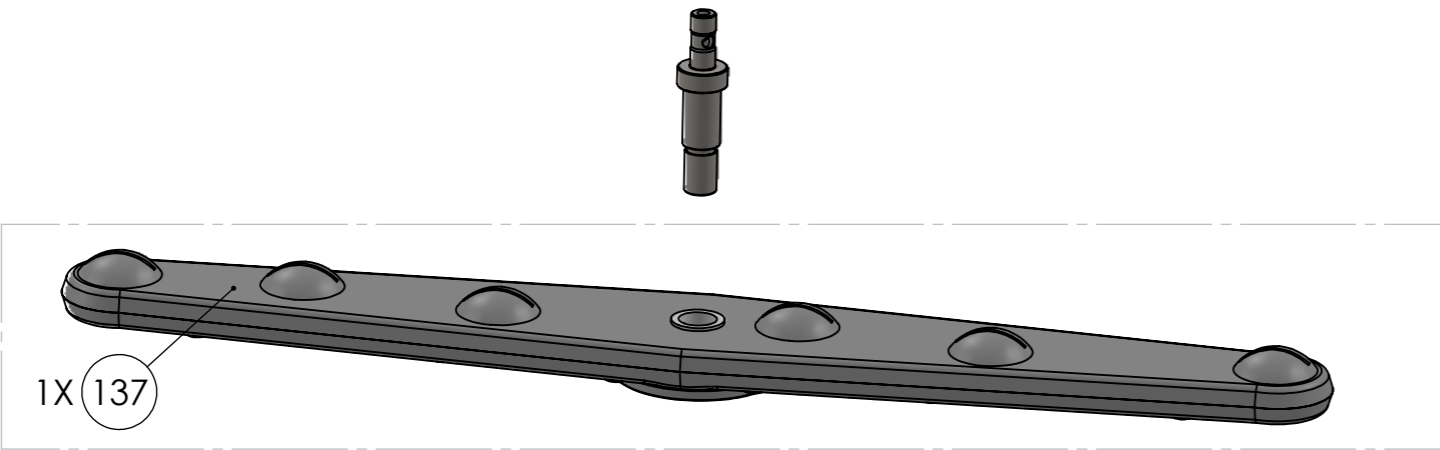
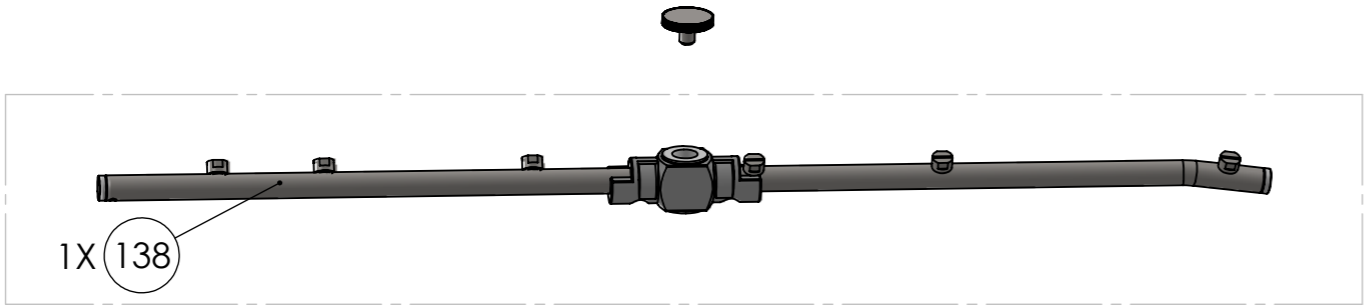
MODEL DESCRIPTION:
KNOSSOS 50

MODEL VERSION:
KNOSSOS 50 230V ~N
50/60 Hz

ITEM CODE:
MODEL CODE:
004.55.00003

ITEM DESCRIPTION:
PAGE:
17
REVISION:
0.0

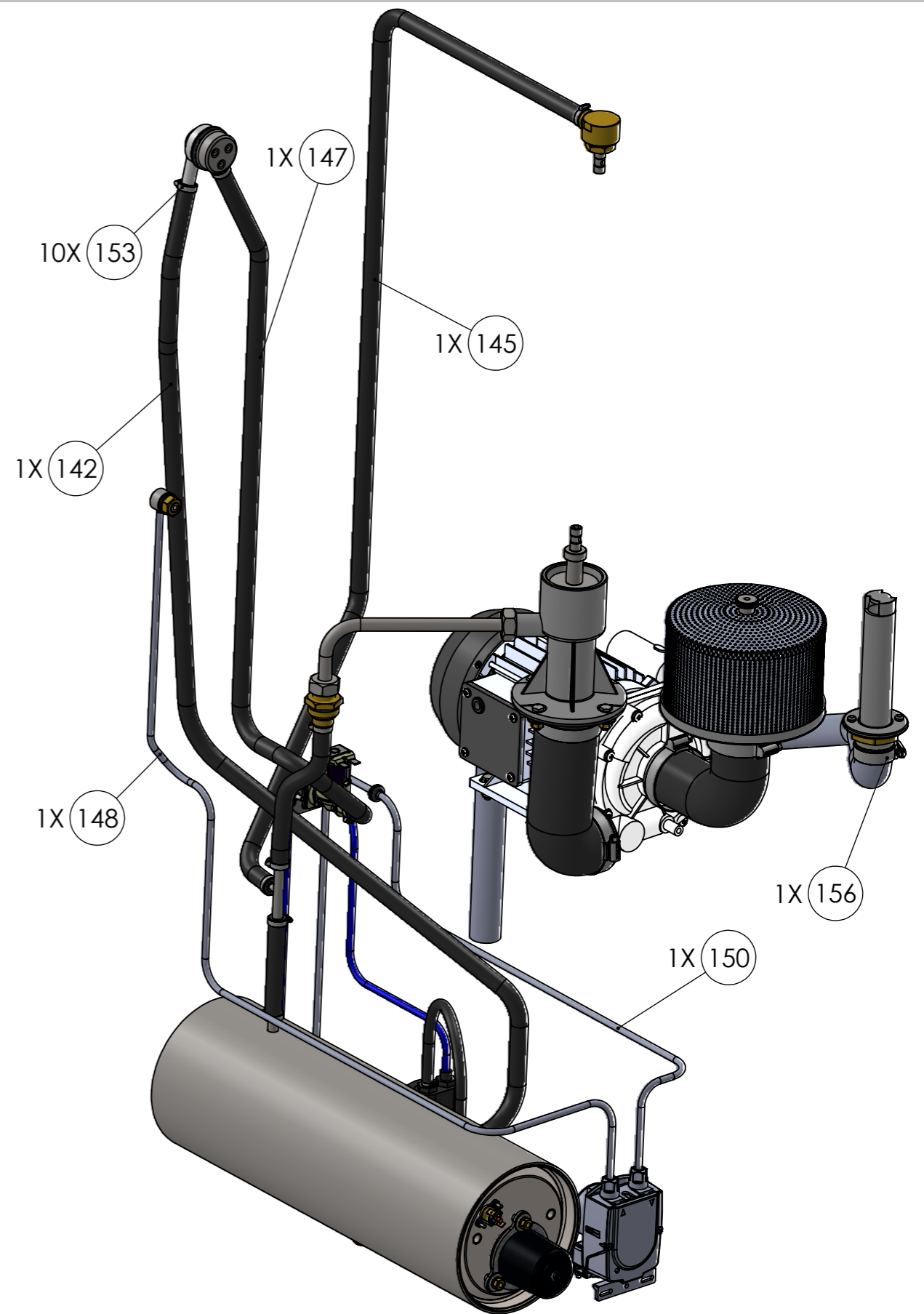
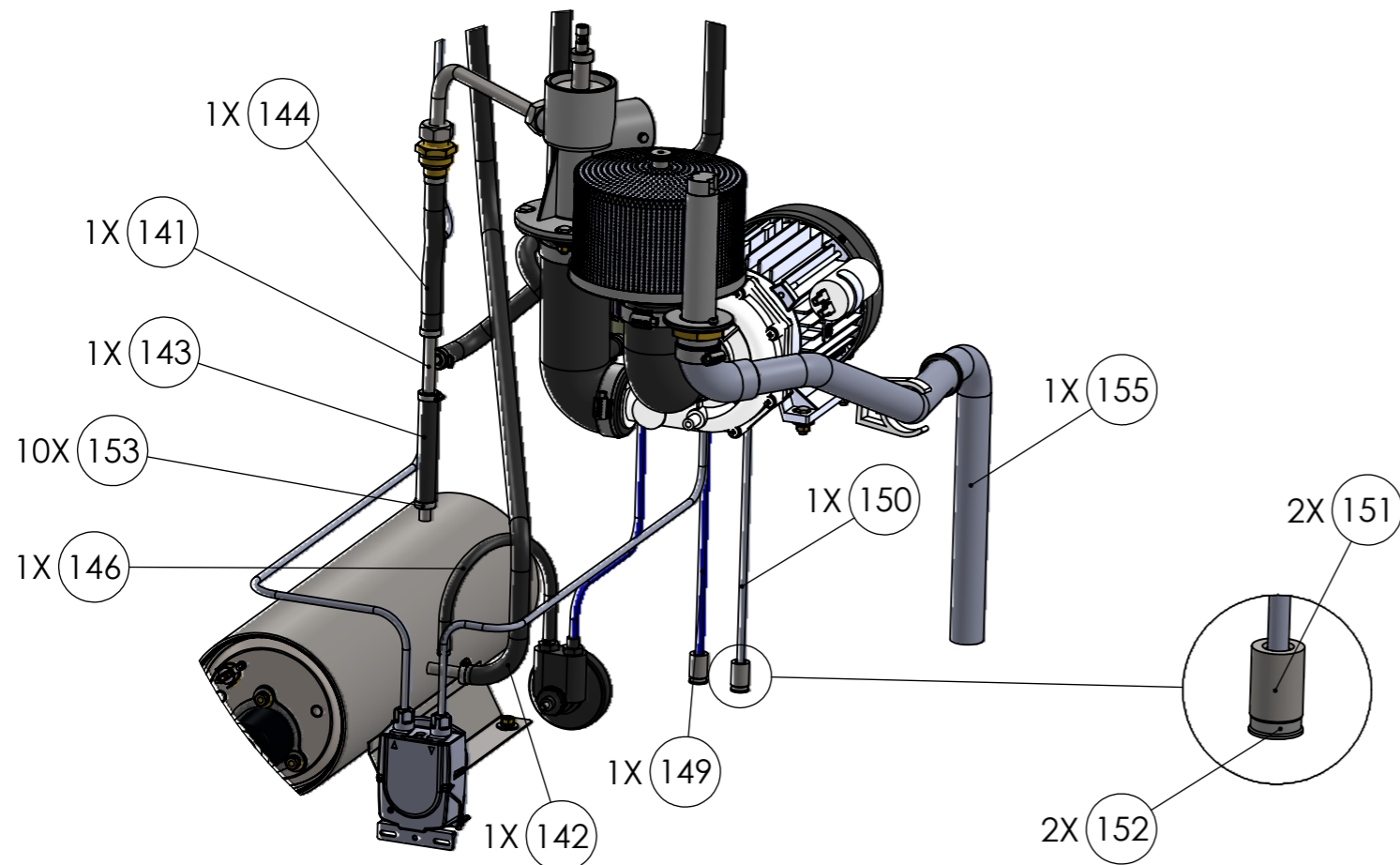
ITEM NO.	PART NUMBER	DESCRIPTION	QTY.
136	002.50.00036	WASHING BASE DOWN V-K COMPLETE	1
137	002.50.00006	LOWER WASHING ARM V50	1
138	002.50.00026	RINSING ARM UP OR DOWN V-K	1
139	002.00.00083	RINSE BASE TU-KN	1
140	002.50.00022	RINSE PIPE INOX V-K	1



ITEM CODE:	ITEM DESCRIPTION:
MODEL CODE: 004.55.00003	PAGE: 18
	REVISION: 0.0

SERIES DESCRIPTION: DISH WASHER	MODEL DESCRIPTION: KNOSSOS 50	MODEL VERSION: KNOSSOS 50 230V ~N 50/60 Hz
------------------------------------	----------------------------------	--

ITEM NO.	PART NUMBER	DESCRIPTION	QTY.
141	002.51.00007	T-CONNECTION BOLIER KNOSSOS	1
142	002.51.00002	HOSE PRES. INPUT BOILER KN50 1140mm	1
143	002.51.00003	HOSE PRES. OUTLET BOILER (T) KN50 230mm	1
144	002.51.00004	HOEW PRES. OUTLET BOILER (DOWN) KN50 110mm	1
145	002.51.00005	HOSE PRES. OUTLET BOILER (UP) KN50 1200mm	1
146	002.51.00006	HOSE PRES. RINSE AID KN50 230mm	1
147	002.51.00001	HOSE PRES. INPUT VALVE KN50 900mm	1
148	003.00.00140_2	TUBO CRISTALLO 4X6	1
149	003.00.00487	TUBE PVC BLUE 4X6	1
150	003.00.00140_3	TUBO CRISTALLO 4X6	1
151	002.00.00195	BALANCE F15X20	2
152	002.00.00242	FILTER PLASTIC FOR RINSE AID VALVE	2
153	002.00.00052	CLAMP 10-16	10
154	002.00.00231	CLAMP 8-12	2
155	002.00.00234	ELBOW DRAINING PIPE OD29 - ID24 - 2m	1
156	003.00.00244	CLAMP 20-32	1



SERIES DESCRIPTION:
DISH WASHER

MODEL DESCRIPTION:
KNOSSOS 50

MODEL VERSION:
KNOSSOS 50 230V ~N
50/60 Hz

ITEM CODE:

ITEM DESCRIPTION:

MODEL CODE:
004.55.00003

PAGE:
19

REVISION:
0.0