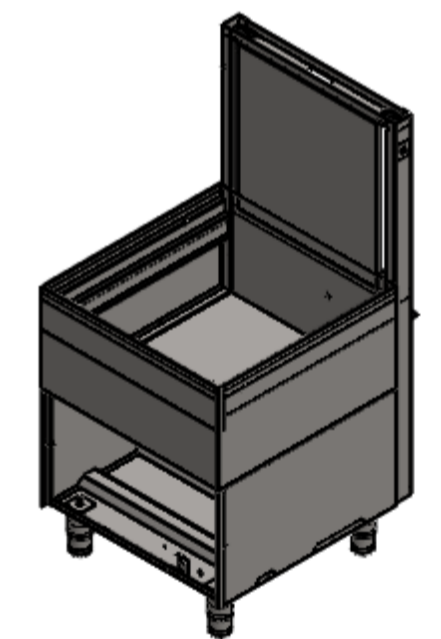
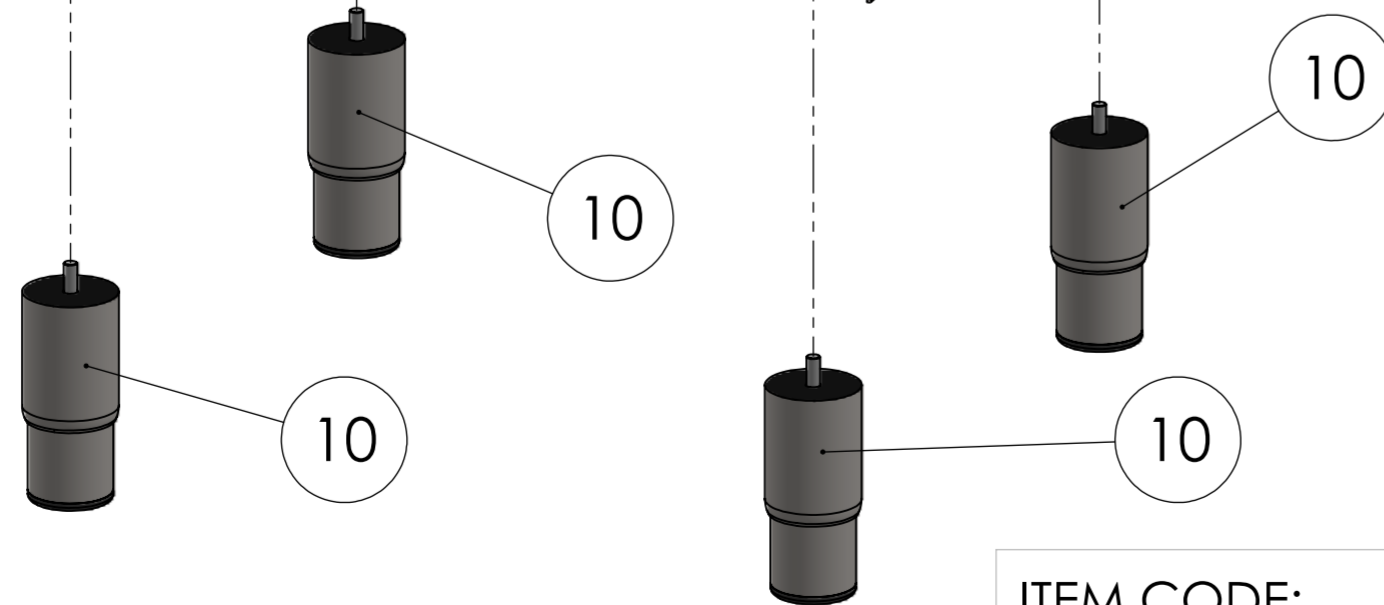
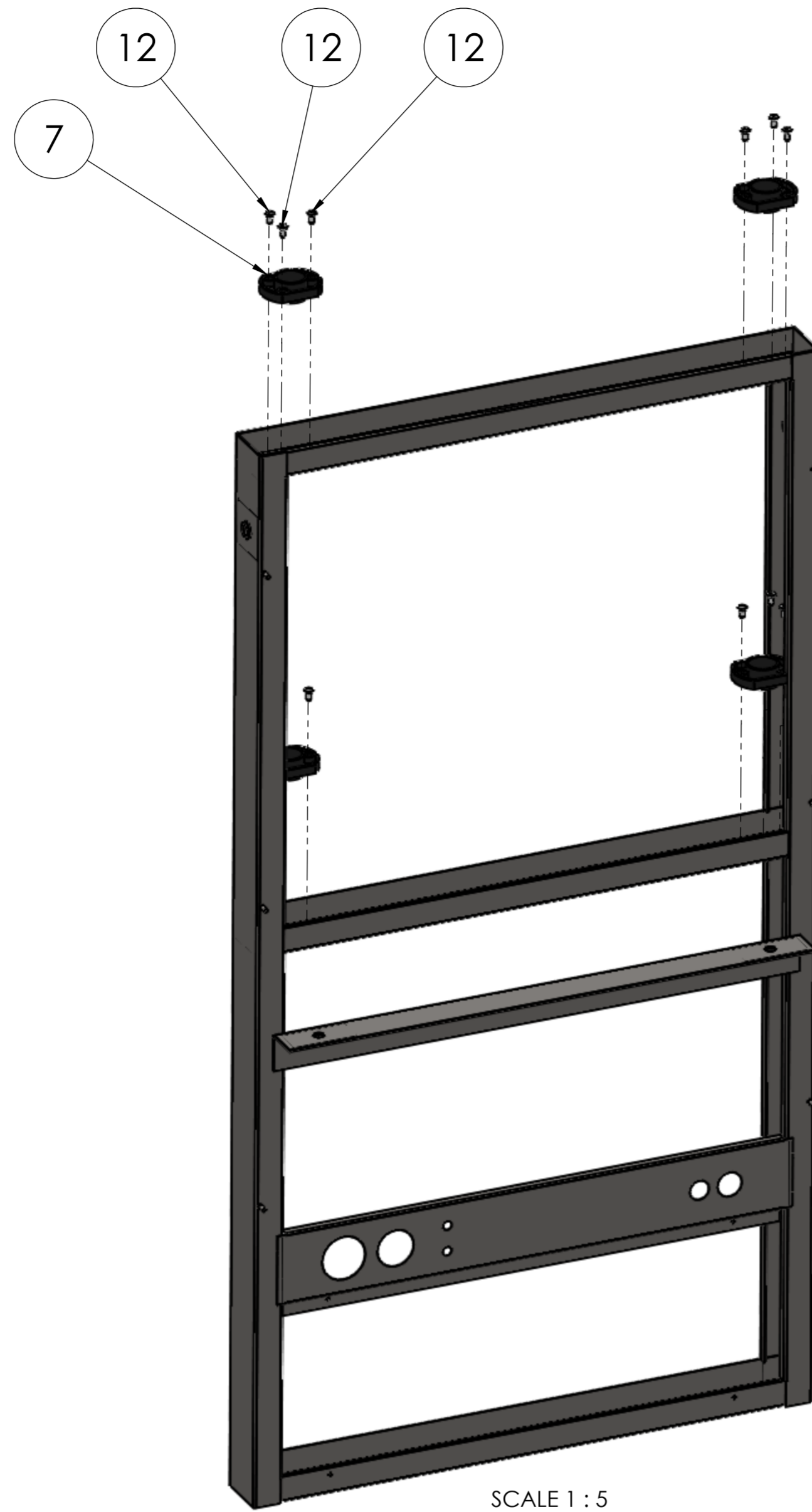


SCALE 1 : 5



ITEM NO.	PART NUMBER	DESCRIPTION	QTY.
10	001.00.00250	LEVELING FEET 1 3/4	4



SCALE 1 : 5



SCALE 1 : 20

ITEM NO.	PART NUMBER	DESCRIPTION	Default/ QTY.
7	002.15.00044	PLASTIC GUIDE D.30	4
12	003.00.00346	TAPPING SCREW 4,8X13	12

ITEM CODE: 001.15.00090

ITEM DESCRIPTION:

SERIES DESCRIPTION: HOOD TYPE

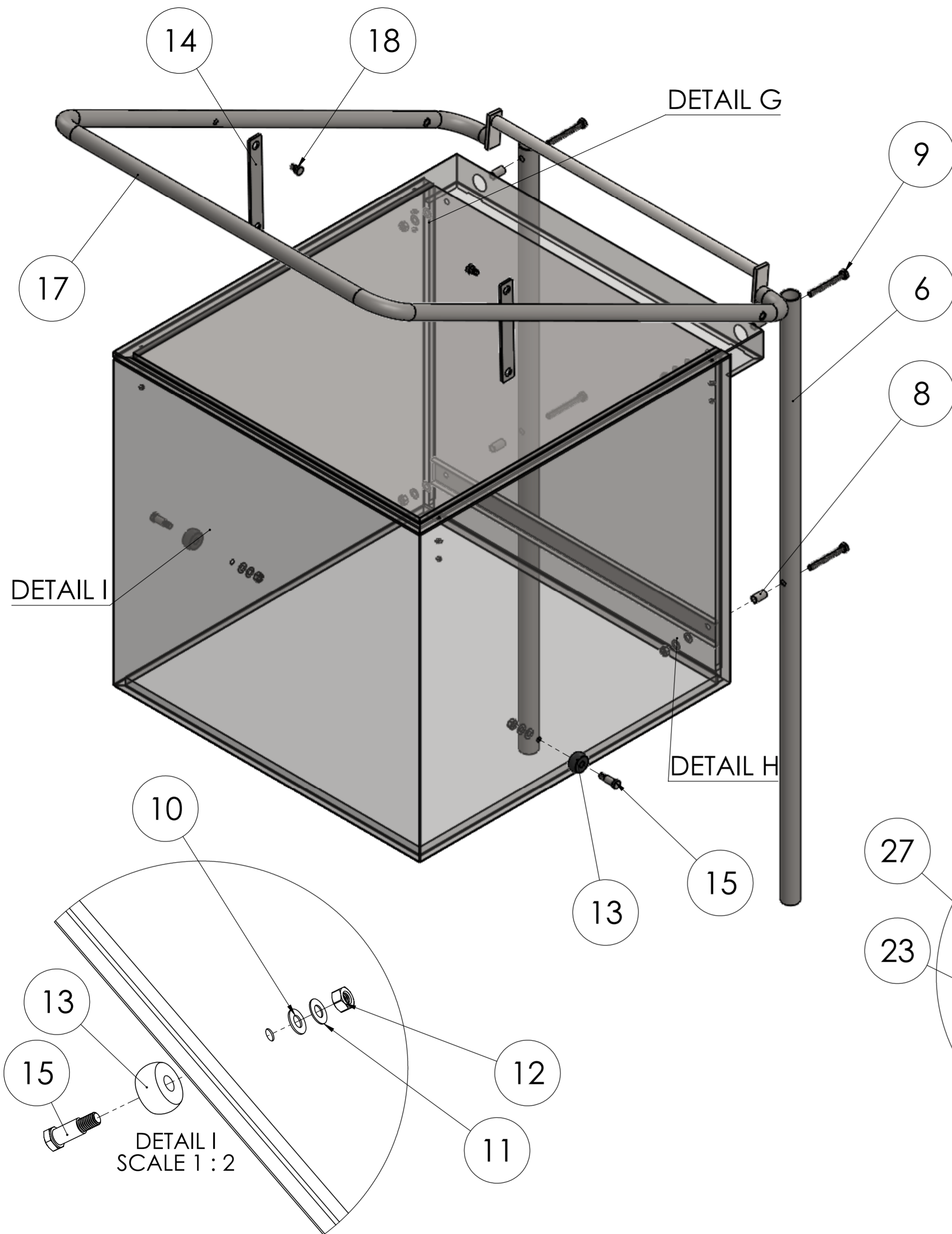
MODEL DESCRIPTION: T1500 / C1500

MODEL VERSION: TURBO1500

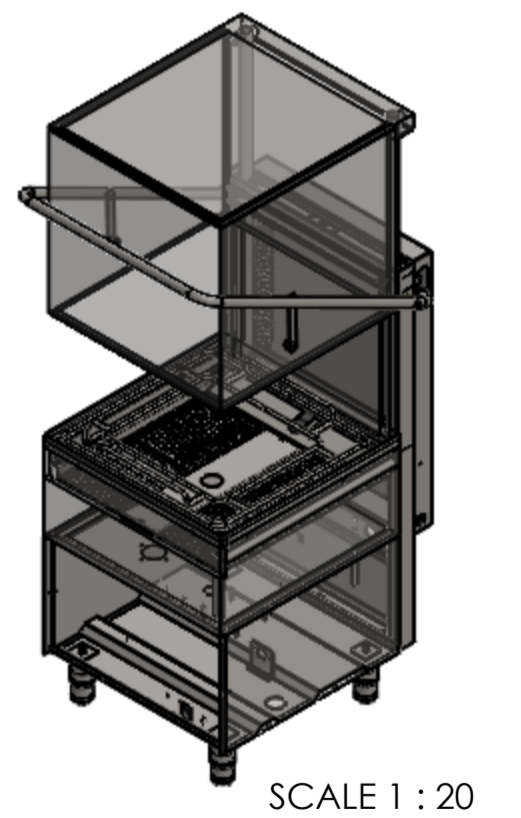
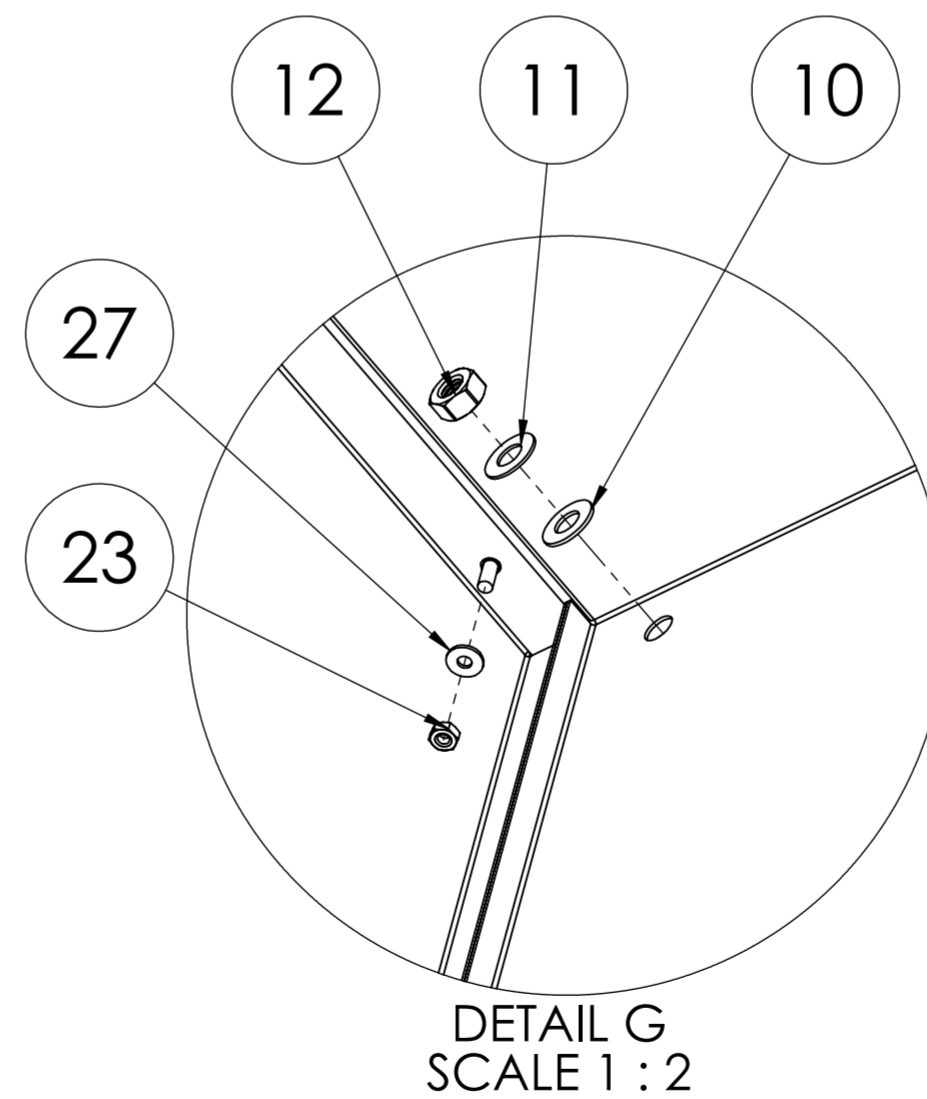
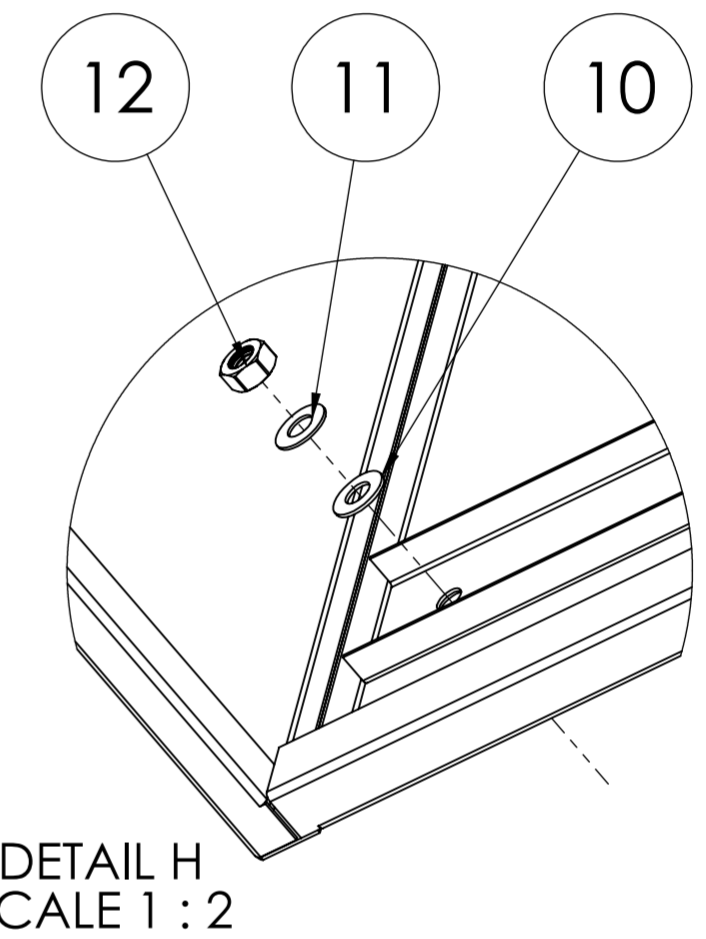
MODEL CODE: 004.15.00000

PAGE: 1

REVISION: 0



ITEM NO.	PART NUMBER	DESCRIPTION	QTY.
6	001.15.00084	HOOD SUPPORT PIPE $\Phi 30 \times 1100$	2
8	001.15.00145-1	INOX HOOD SPACER $\Phi 12 \times 24$	4
9	001.15.00036	INOX BOLT M8 X 70	4
10	002.15.00074	TEFLON WASHER $\Phi 16 \times \Phi 8 \times 1\text{mm}$	6
11	003.00.00221	INOX WASHER $\Phi 6 \times \Phi 18$	6
12	002.00.00117	INOX NUT M8	6
13	003.00.00323	COPLER $\Phi 8 \times \Phi 31$	2
14	001.15.00100	DOOR HANDLE TO HOOD CONNECTOR	2
15	002.15.00053	INOX AXLE BOLT M8x35 LONG	2
17	001.15.00029	DOOR HANDLE 1500	1
18	002.15.00052	INOX AXLE BOLT SHORT M8 X 17	2
23	002.00.00095	INOX NUT M4	4
27	002.00.00274	TEFLON 10X4X1	4



ITEM CODE:

ITEM DESCRIPTION: STEEL STRUCTURE

SERIES DESCRIPTION: HOOD TYPE

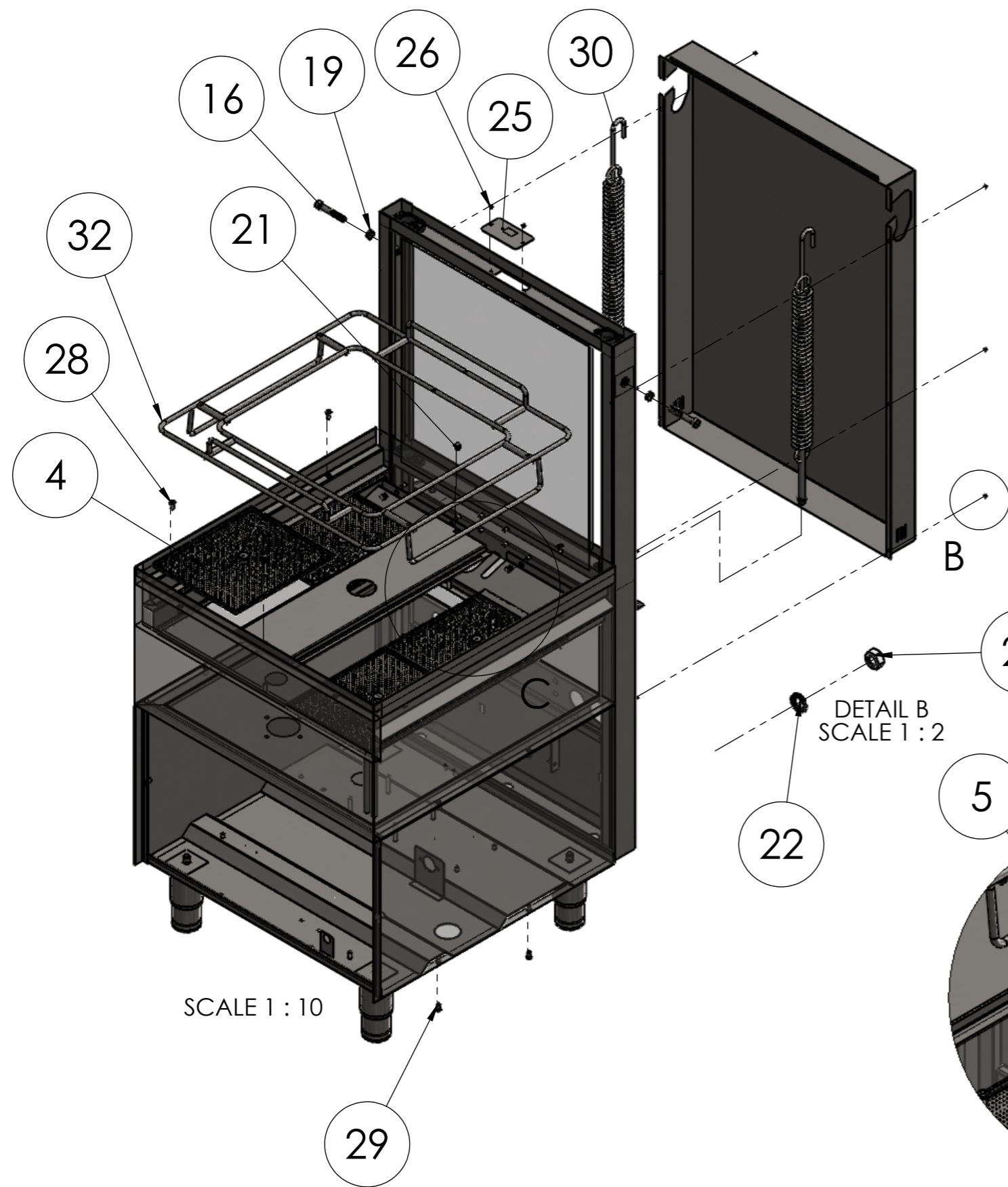
MODEL DESCRIPTION: T1500

MODEL VERSION: TURBO1500

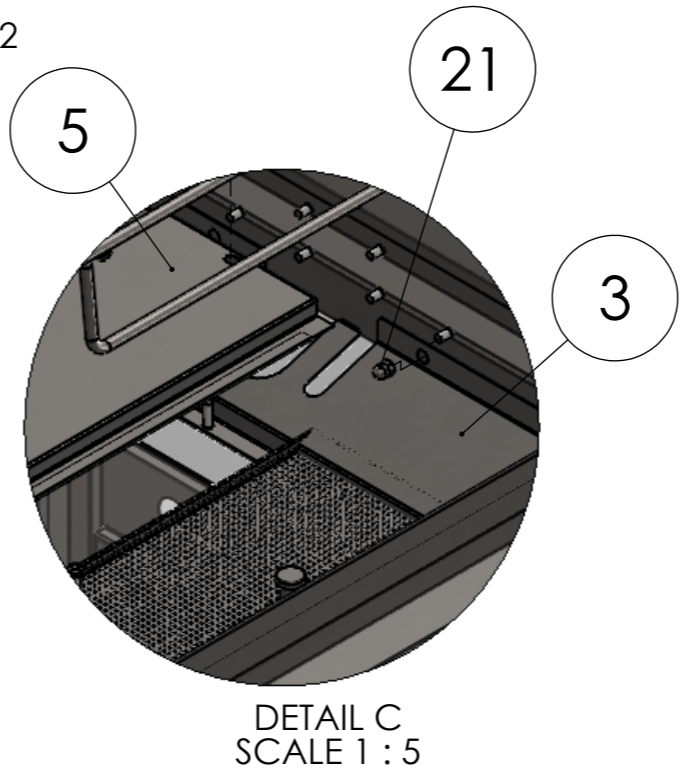
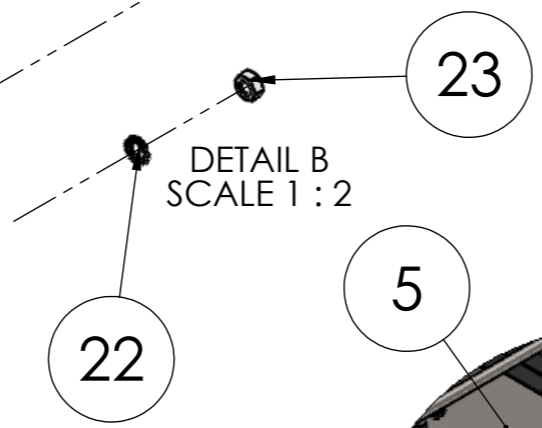
MODEL CODE: 004.15.00000

PAGE: 3

REVISION: 0

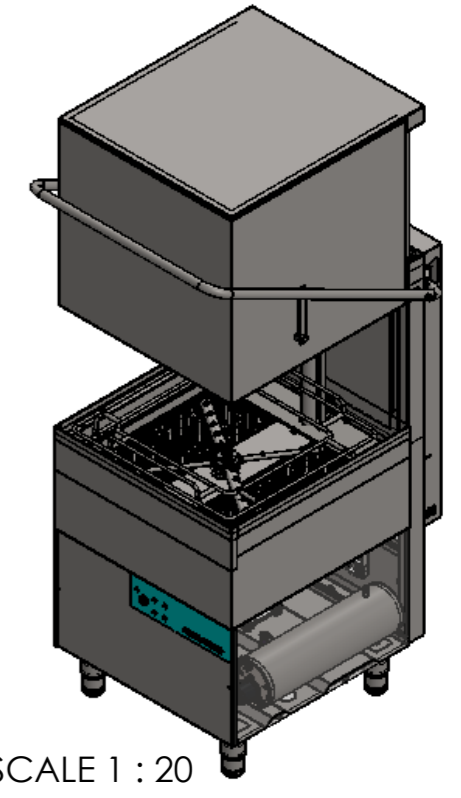
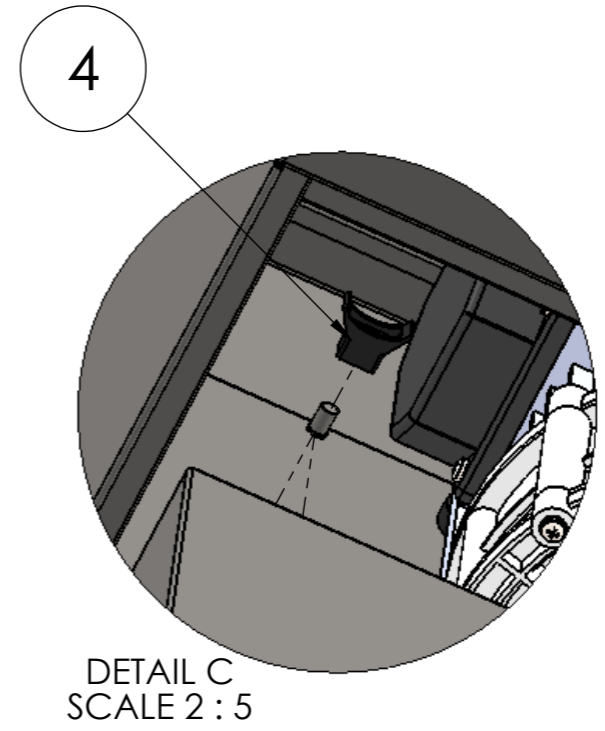
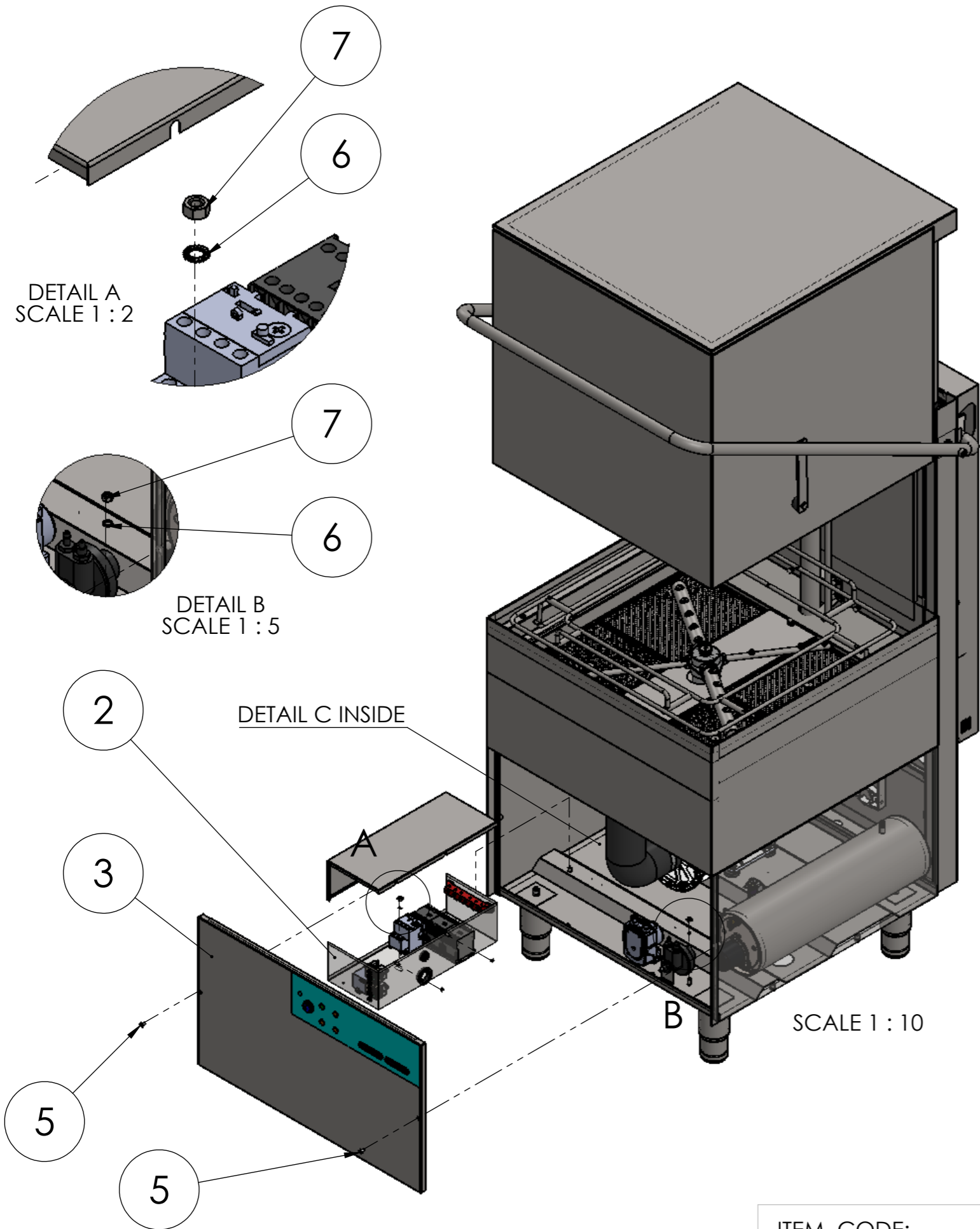


ITEM NO.	PART NUMBER	DESCRIPTION	QTY.
3	001.15.00095	SUPPORT FOR FILTER BACK	1
4	001.15.00012	FILTER ELEMENT	4
5	001.15.00094	SUPPORT FOR FILTER MID	1
16	003.00.00274	INOX BOLT M10 X 64 ALLEN	2
19	001.00.00093	INOX NUT M10	2
22	002.00.00140	LOCK WASHER INOX Φ4	6
23	002.00.00095	INOX NUT M4	6
25	001.15.00131	SUPPORT PLATE FOR PRESSOSTAT	1
26	003.00.00046	NUT M4 (GALV)	2
28	003.00.00443	INOX TAPPERED SCREW M6X15	4
29	003.00.00242	INOX HEX SCREW M6X12	4
30	001.15.00037	DOOR SPRING TURBO 1500	2
32	001.15.00113	BASKET SUPPORT 1500	1



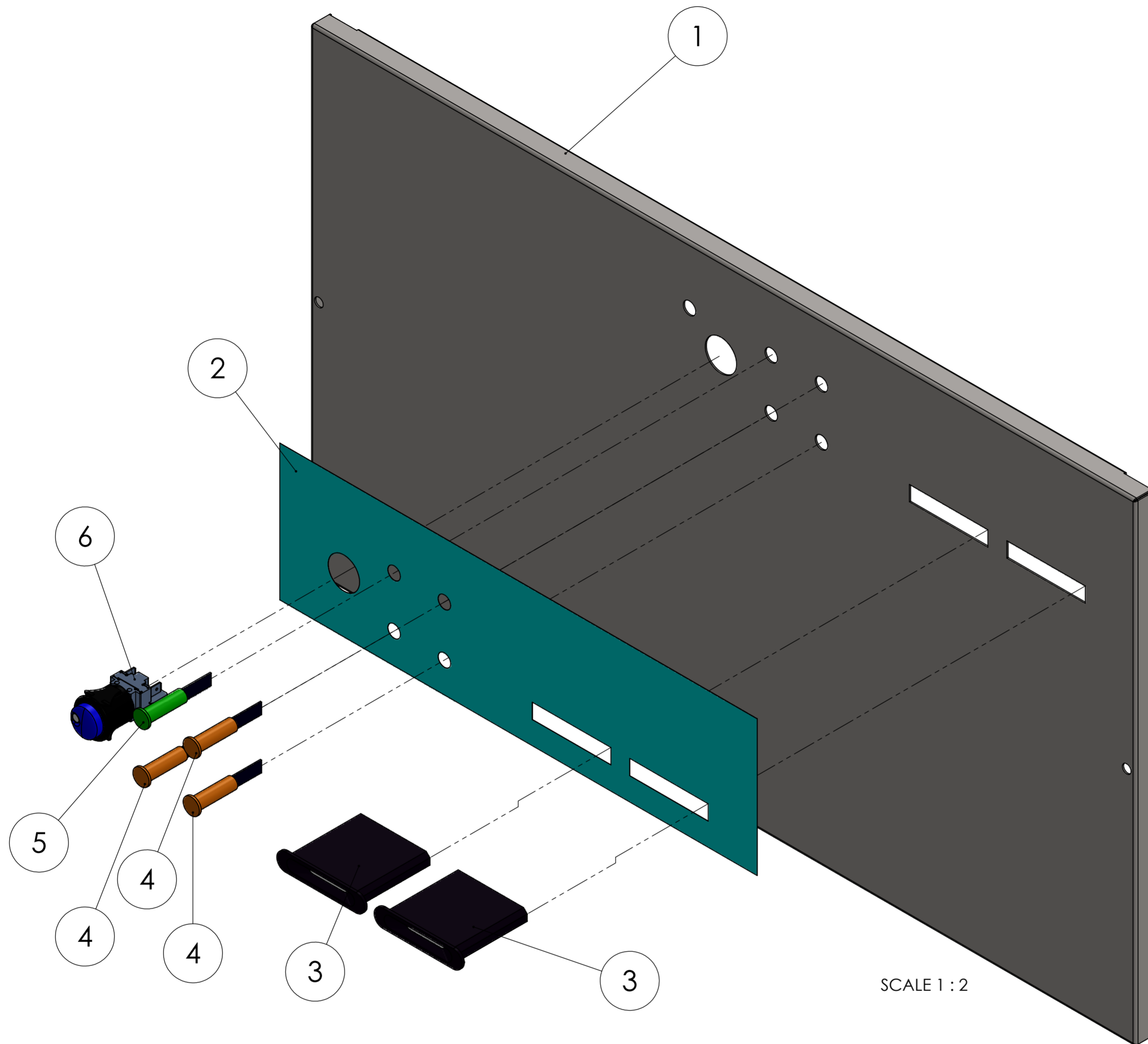
SERIES DESCRIPTION: HOOD TYPE	MODEL DESCRIPTION: T1500	ITEM CODE:	ITEM DESCRIPTION: STEEL STRUCTURE	PAGE: 2	REVISION: 0
		MODEL VERSION: TURBO 1500	MODEL CODE: 004.15.00000		

ITEM NO.	PART NUMBER	DESCRIPTION	QTY.
2	006.15.00002	ELECTRICAL BOX COMPLETE T-1500	1
3	003.15.00115	ELECTRICAL PANEL T-1500 COMPLETE	1
4	003.00.00494	CABLE PLASTIC CLAMP	1
5	001.00.00247	M6X25 SCREW DIN6115	2
6	001.00.00204	LOCK WASHER Φ6	2
7	003.00.00041	NUT M6 (GALV.)	2

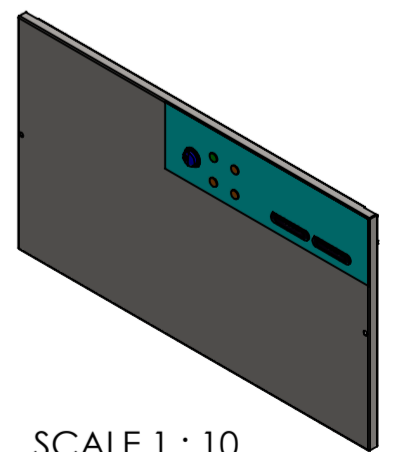


SERIES DESCRIPTION: HOOD TYPE	MODEL DESCRIPTION: T1500	ITEM CODE:	ITEM DESCRIPTION: ELECTRICAL EQUIPMENT	PAGE: 1	REVISION: 0
		MODEL VERSION: TURBO1500	MODEL CODE: 004.15.00000		

ITEM NO.	PART NUMBER	DESCRIPTION	QTY.
1	001.15.00044	FRONT COVER 1500	1
2	003.15.00094	FILM FOR T1500	1
3	003.00.00505	THERMOMETER 2500mm	2
4	003.00.00028	INDICATOR ORANGE	3
5	003.00.00176	INDICATOR GREEN	1
6	003.00.00563	SWITCH ON-OFF ROUND 4 CONT.	1



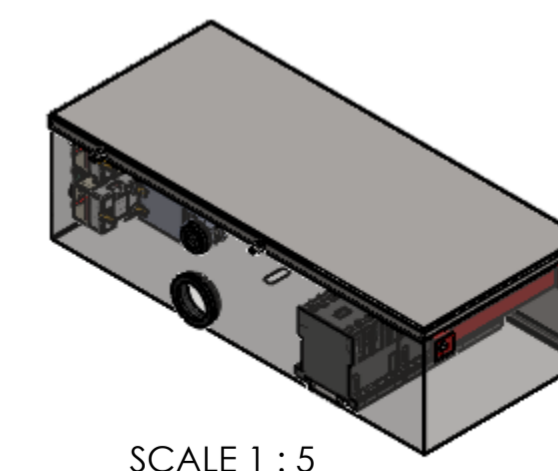
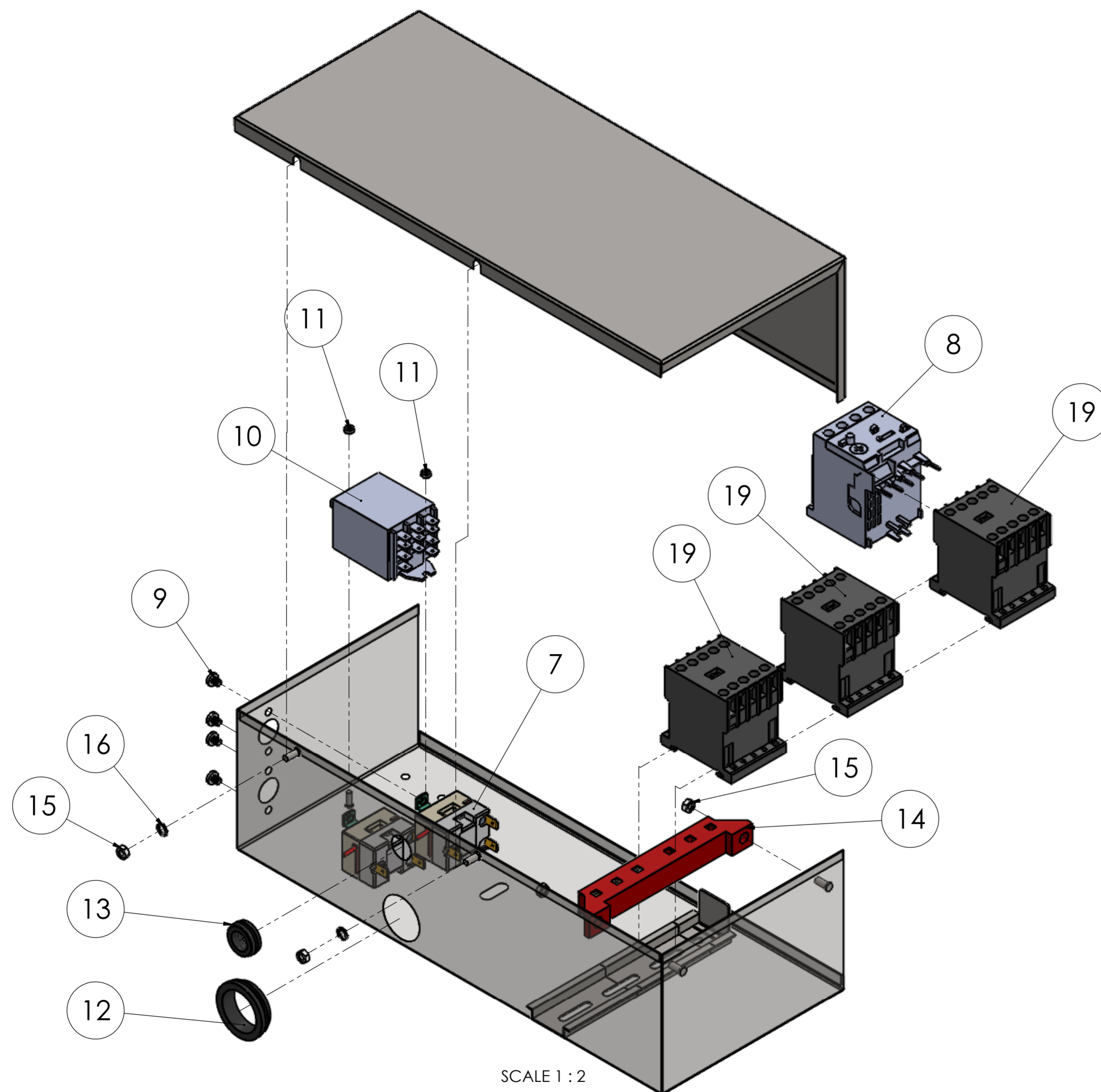
SCALE 1 : 2



SCALE 1 : 10

SERIES DESCRIPTION: HOOD TYPE		MODEL DESCRIPTION: T1500		ITEM CODE: 003.15.00115		ITEM DESCRIPTION: CONTROL PANEL COMPLETE T-1500			
				MODEL VERSION: TURBO1500		MODEL CODE: 004.15.00000		PAGE: 1	REVISION: 0

ITEM NO.	PART NUMBER	DESCRIPTION	QTY.
19	003.00.00056	MAGNETIC CONTACTOR	3
7	003.00.00213	THERMOSTAT 0-90oC 1500mm	2
8	003.15.00010	THERMAL OVERLOAD RELAY 2,5 - 4,0	1
9	001.00.00076	GALVANIZED MACHINE SCREW M4 X 5	4
10	003.00.00082	MICRO RELAY 11 PINS WITH FASTON	1
11	002.00.00090	GALV. NUT M3	2
12	003.00.00466	RUBBER CABLE PROTECTION N.30	1
13	003.00.00347	RUBBER CABLE PROTECTION N.01	1
14	003.00.00030	POWER SUPPLY BOARD 6 CONN.	1
15	002.00.00095	INOX NUT M4	4
16	002.00.00140	LOCK WASHER INOX Φ4	2



ITEM CODE: 006.15.00002

ITEM DESCRIPTION: ELECTRICAL BOX COMPLETE T-1500

SERIES DESCRIPTION: HOOD TYPE

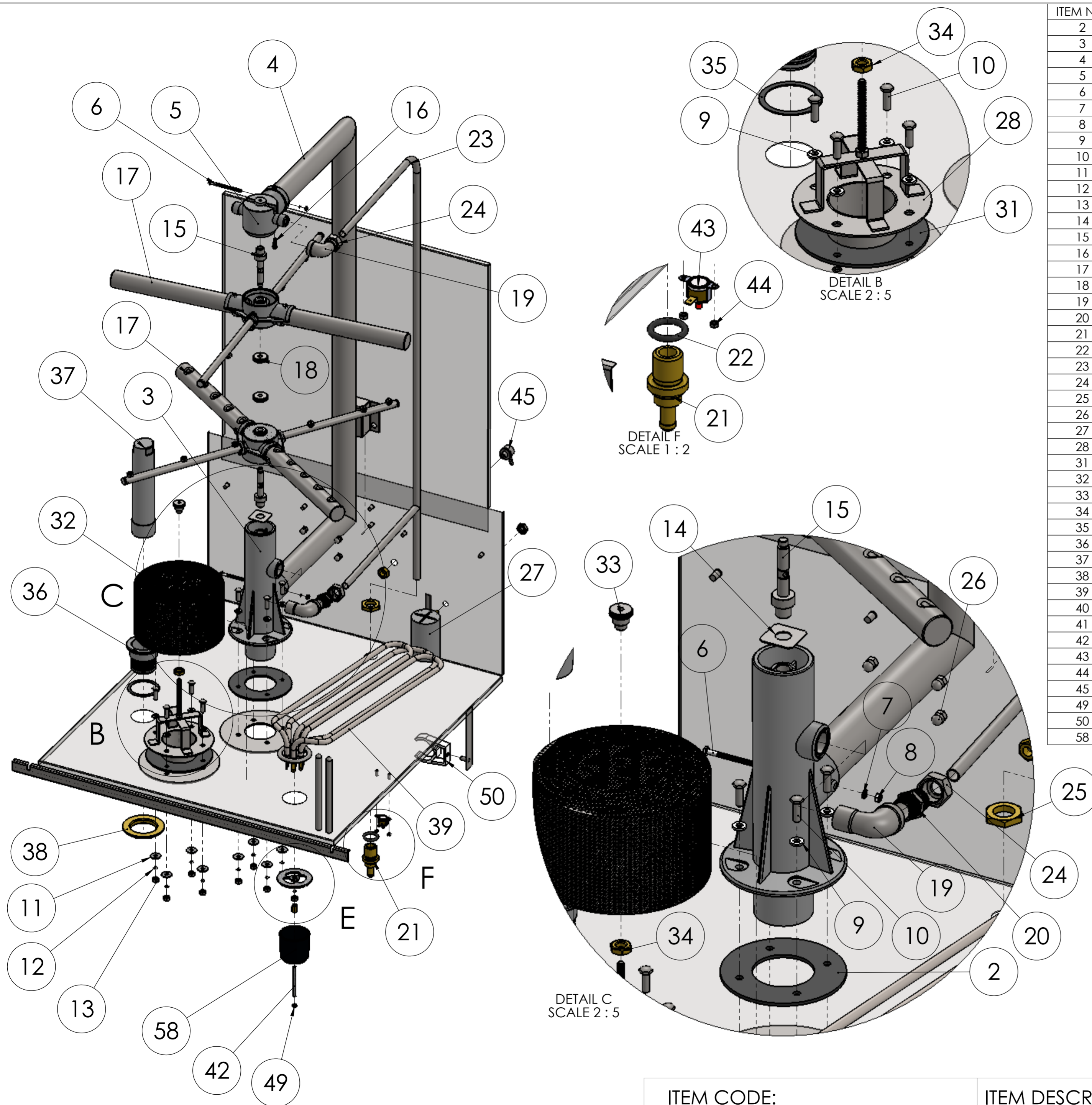
MODEL DESCRIPTION: T1500

MODEL VERSION: TURBO1500

MODEL CODE: 004.15.00000

PAGE: 1

REVISION: 0



ITEM NO.	PART NUMBER	DESCRIPTION	QTY.
2	002.00.00223	RUBBER GASKET Φ 109 X 54 X 3	1
3	002.15.00084-1	WASH & RINSE BASE TURBO 1500	1
4	002.15.00080	WASH SUPPLY INOX TURBO 1500	1
5	002.15.00086	WASH - RINSE UPPER BASE TURBO 1500	1
6	003.00.00441	INOX HEX BOLT M4 X 60	2
7	002.00.00140	LOCK WASHER INOX Φ 4	2
8	002.00.00095	INOX NUT M4	2
9	002.00.00169	TEFLON 12-6-2	8
10	003.00.00104	INOX HEX BOLT M6X20	8
11	003.00.00516	WASHER STEEL Φ 6X18	8
12	001.00.00204	LOCK WASHER Φ 6	9
13	003.00.00041	NUT M6 (GALV.)	9
14	002.15.00103	FLOW CONTROL DISK TURBO 1500	1
15	002.15.00082	INOX AXLE Φ 20 M8 TURBO 1500 EVO	2
16	002.00.00207	TAPPING SCREW 4,2 X 19	1
17	002.15.00091	WASH AND RINSE CROSS TURBO COMPLETE	2
18	002.15.00083	INOX RETAINING NUT Φ 25 X 7 M8	2
19	002.00.00226	INCH ANGLE MALE - FEMALE 1/2	2
20	002.00.00030	NIPPLE 1/2 INOX	1
21	002.00.00083	RINSE BASE TUR - KN	1
22	002.00.00097	O-RING 20X4	1
23	002.15.00090	RINSE SUPPLY INOX TURBO 1500	1
24	002.00.00144	RINSE PIPE RETAINING NUT	2
25	002.00.00062	NUT 1/2	1
26	001.00.00110	DOMED CAP NUT M6	4
27	003.00.00014	PRESSOSTAT CHAMBER	1
28	002.15.00012	BASE FOR TANK FILTER TURBO 1500	1
31	002.15.00075	TANK FILTER BASE RUBBER GASKET TURBO1500	1
32	001.15.00078	PUMP FILTER TURBO 1500	1
33	001.00.00017	FILTER RETAINING NUT	1
34	001.00.00093	INOX NUT M10	1
35	002.00.00102-1	DRAINING BASE GASKET 1500	1
36	002.15.00017	DRAIN AND OVERFLOW BASE	1
37	002.15.00031	DRAIN AND OVERFLOW PIPE	1
38	002.00.00037	DRAIN & OVERFLOW BASE NUT 1 1/2	1
39	003.15.00032	TANK HEATING ELEMENT	1
40	003.00.00570	TANK HEATING ELEMENT RETAINING BRACKET	1
41	003.00.00431	HEATING ELEMENT NUT 13mm M4-M6	1
42	003.00.00086	THREADED SHAFT M4X60	1
43	003.00.00168	TANK THERMOFUSE 90°C	1
44	002.00.00090	GALV. NUT M3	2
45	002.00.00233	DETERGENT TANK INJECTOR	1
49	003.00.00046	NUT M4 (GALV)	1
50	003.00.00540	DRAIN HOSE PLASTIC SUPPORT Φ 40	1
58	003.00.00004	HEATER ELEMENT COVER	1

SERIES DESCRIPTION: HOOD TYPE

MODEL DESCRIPTION: T1500

ITEM CODE:

ITEM DESCRIPTION: MECHANICAL EQUIPMENT

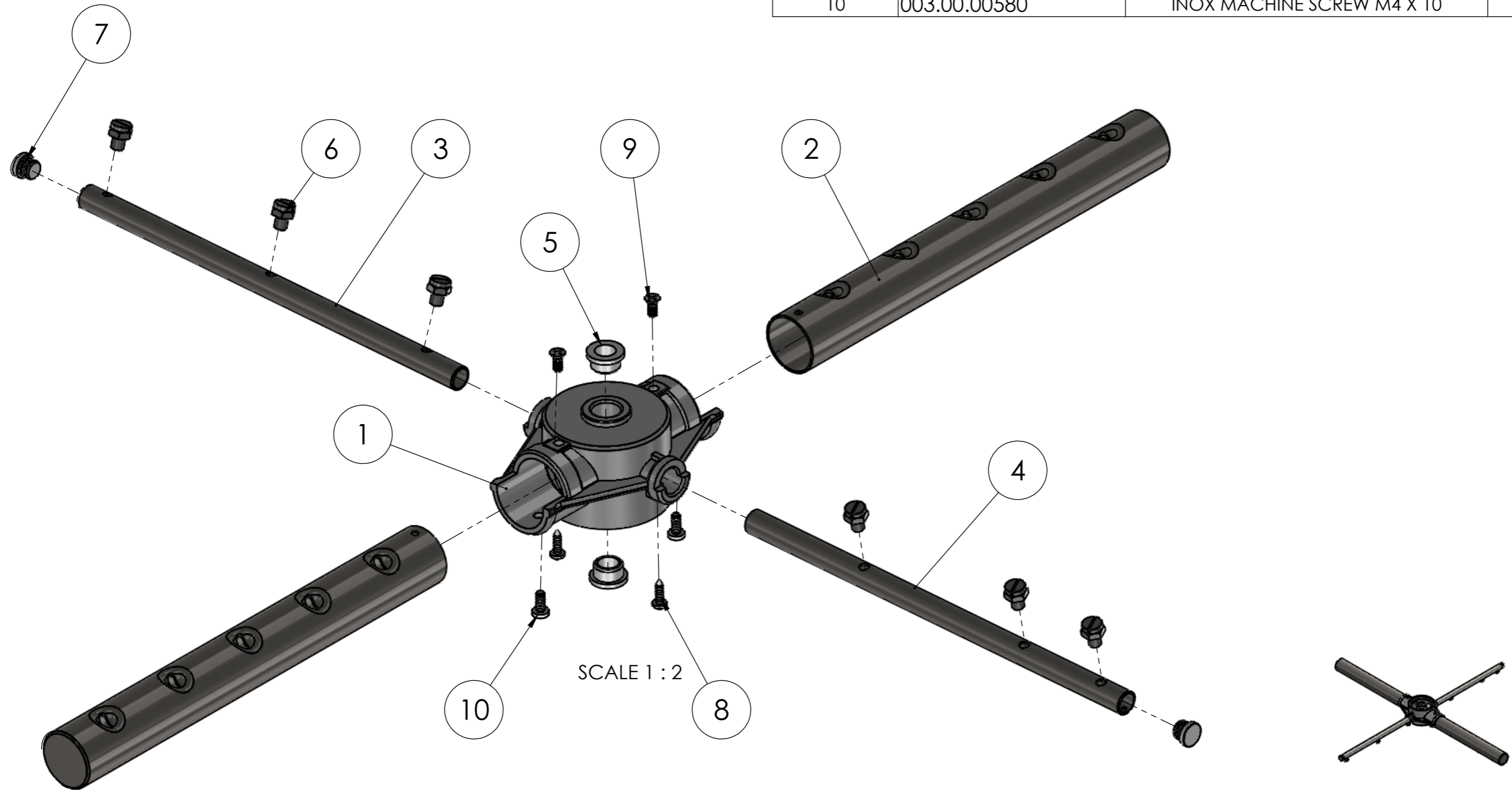
MODEL VERSION: TURBO1500

MODEL CODE: 004.15.00000

PAGE: 2

REVISION: 0

ITEM NO.	PART NUMBER	DESCRIPTION	Default/QTY.
1	002.15.00085	RINSING - WASHING CROSS TURBO 1500	1
2	002.15.00089	PIPES TURBO 1500 INOX Φ 30 X 1 X 248	2
3	002.15.00093-B	INOX RINSE PIPE TURBO 1500 Φ 12 X 245	1
4	002.15.00093-A	INOX RINSE PIPE TURBO 1500 Φ 12 X 245	1
5	002.35.00026	TEFLON Φ 18 X 10	2
6	002.11.00008	SPRAYER FOR RINSING ARM BL,EU,VE,KN,1500	6
7	002.00.00145	CAP FOR RINSE ARM VE-KN-1500	2
8	003.00.00377	INOX MACHINE SCREW 3,5 X 13	2
9	003.00.00579	INOX SCREW M4 X 10	2
10	003.00.00580	INOX MACHINE SCREW M4 X 10	2



ITEM CODE: 002.15.00091

ITEM DESCRIPTION: WASH AND RINSE CROSS TURBO COMPLETE

SERIES DESCRIPTION: HOOD TYPE

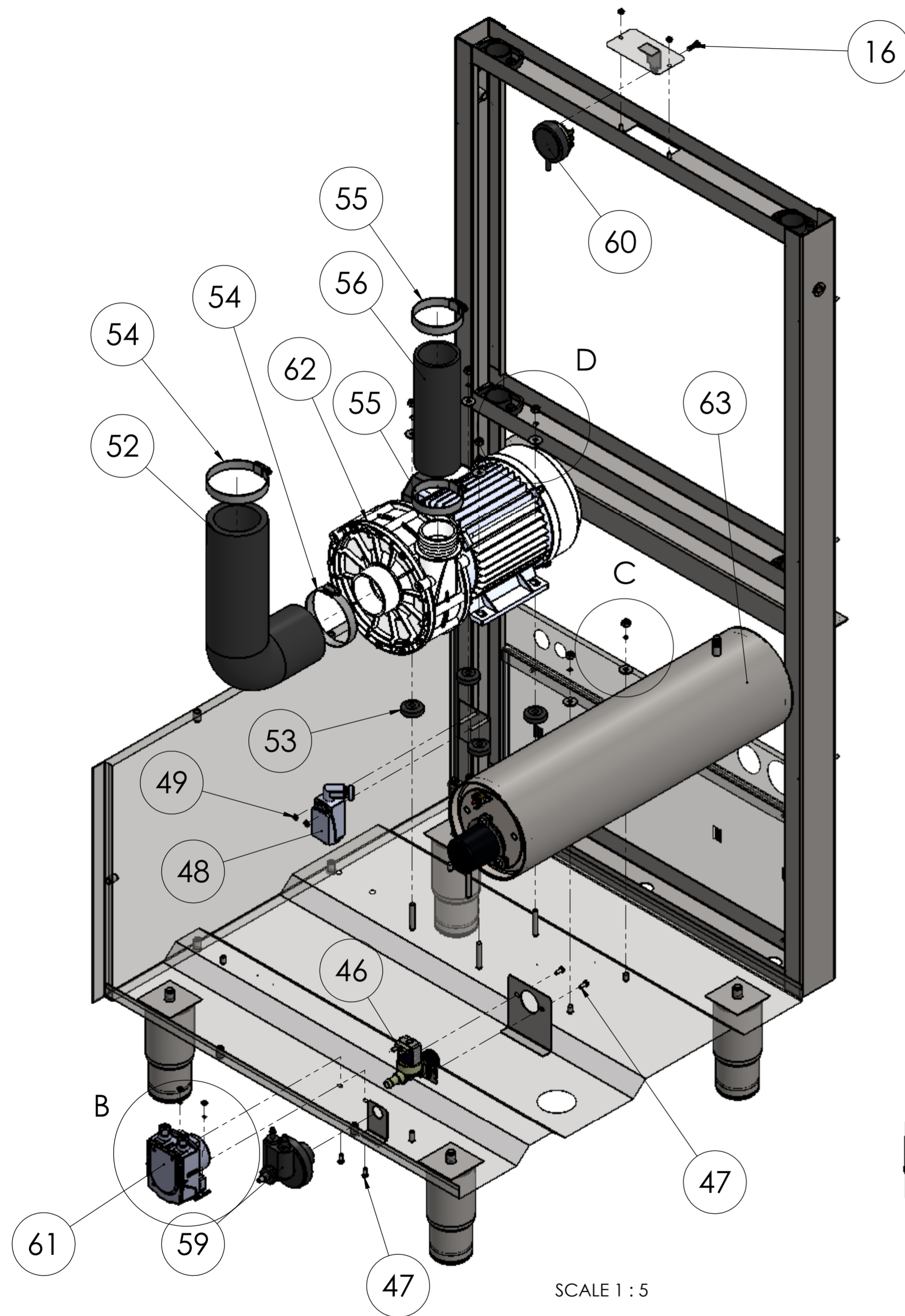
MODEL DESCRIPTION: T1500/C1500

MODEL VERSION: TURBO1500

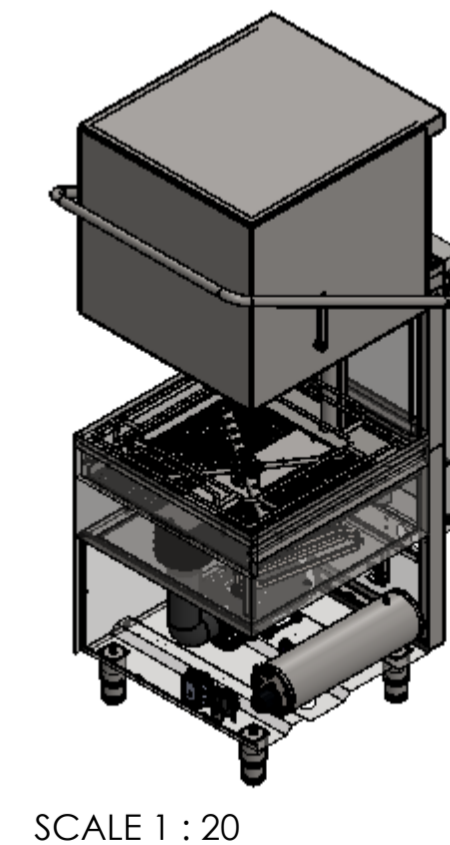
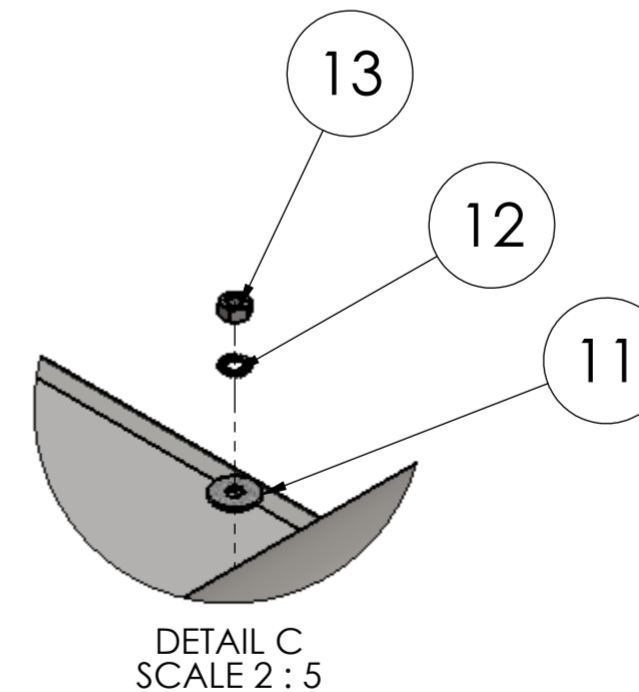
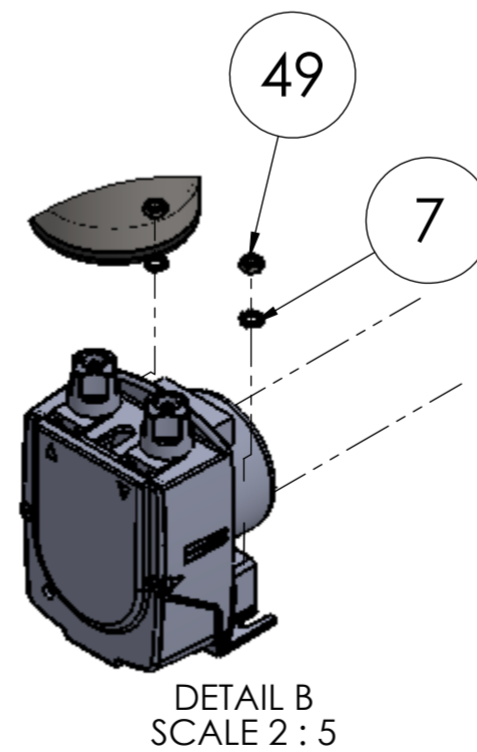
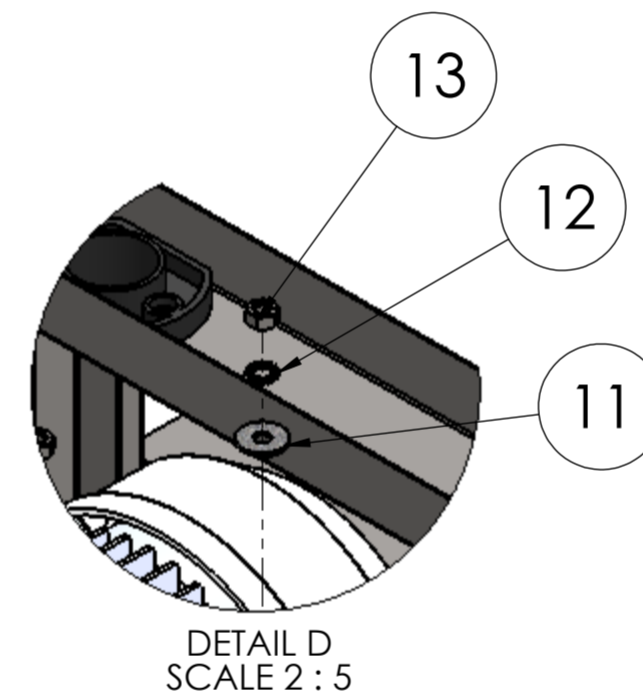
MODEL CODE: 004.15.00000

PAGE: 1

REVISION: 0



ITEM NO.	PART NUMBER	DESCRIPTION	QTY.
7	002.00.00140	LOCK WASHER INOX Ø4	2
11	003.00.00516	WASHER STEEL Ø6X18	6
12	001.00.00204	LOCK WASHER Ø6	6
13	003.00.00041	NUT M6 (GALV.)	6
16	002.00.00207	TAPPING SCREW 4,2 X 19	2
46	003.00.00031	WATER INPUT VALVE	1
47	003.00.00278	GALV. BOLT M4X10	4
48	003.15.00003	TERMINAL FUSE A1500	1
49	003.00.00046	NUT M4 (GALV)	4
62	003.00.00063	PUMP 1,50Hp, 400V, 50Hz	1
52	002.15.00058	PUMP INLET HOSE	1
53	003.00.00323-B	COPLER Ø8 -Ø31	4
54	002.00.00051	CLAMP 60-80	2
55	002.00.00051-1	CLAMP 60-80	2
56	002.15.00029	PUMP OUTPUT HOSE	1
63	006.15.00008	BOILER 1500 400V COMPLETE (1 HEATING ELEMENTS)	1
59	003.00.00268	HYDRAULIC RINSE AID PUMP	1
60	003.00.00033	PRESSOSTAT	1
61	003.00.00429	PERISTALTIC DETERGENT PUMP G300 / 230V	1



ITEM CODE:

ITEM DESCRIPTION: MECHANICAL EQUIPMENT

SERIES DESCRIPTION: HOOD TYPE

MODEL DESCRIPTION: T1500

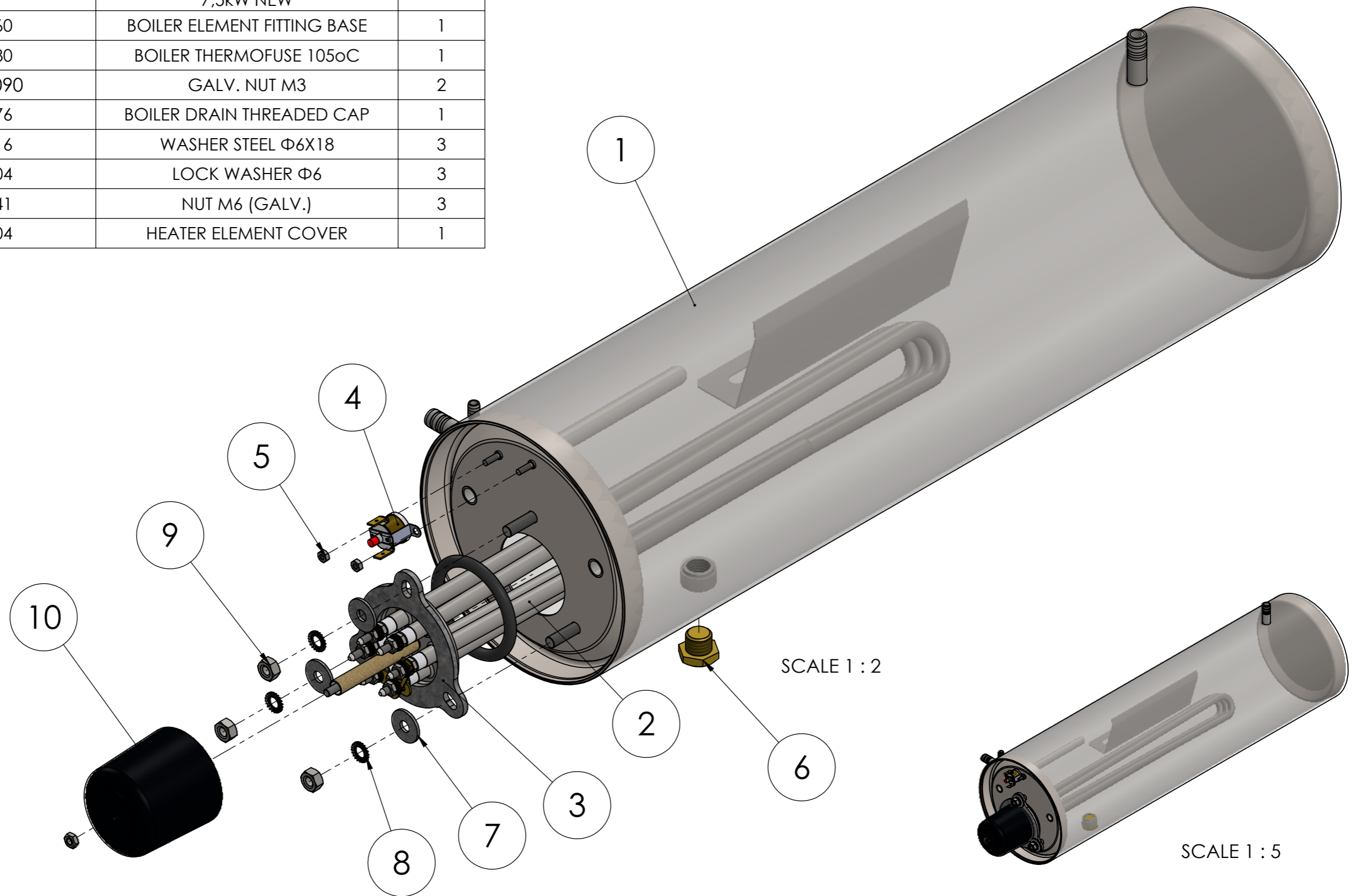
MODEL VERSION: TURBO1500

MODEL CODE: 004.15.00000

PAGE: 1

REVISION: 0

ITEM NO.	PART NUMBER	DESCRIPTION	QTY.
1	001.15.00148	BOILER TURBO 1500 NEW	1
2	003.00.00575	HEATER ELEMENT BOILER 1500, 7,5kW NEW	1
3	003.00.00260	BOILER ELEMENT FITTING BASE	1
4	003.00.00180	BOILER THERMOFUSE 105oC	1
5	002.00.00090	GALV. NUT M3	2
6	002.00.00076	BOILER DRAIN THREADED CAP	1
7	003.00.00516	WASHER STEEL $\Phi 6 \times 18$	3
8	001.00.00204	LOCK WASHER $\Phi 6$	3
9	003.00.00041	NUT M6 (GALV.)	3
10	003.00.00004	HEATER ELEMENT COVER	1



ITEM CODE: 006.15.00008

ITEM DESCRIPTION: BOILER 1500 400V COMPLETE (1 HEATING ELEMENTS)

SERIES DESCRIPTION: HOOD TYPE

MODEL DESCRIPTION: T1500

MODEL VERSION: TURBO1500

MODEL CODE: 004.15.00000

PAGE: 1

REVISION: 0