



DK357 50Hz - 230V (1N)
DK358 50Hz - 400V (3N)

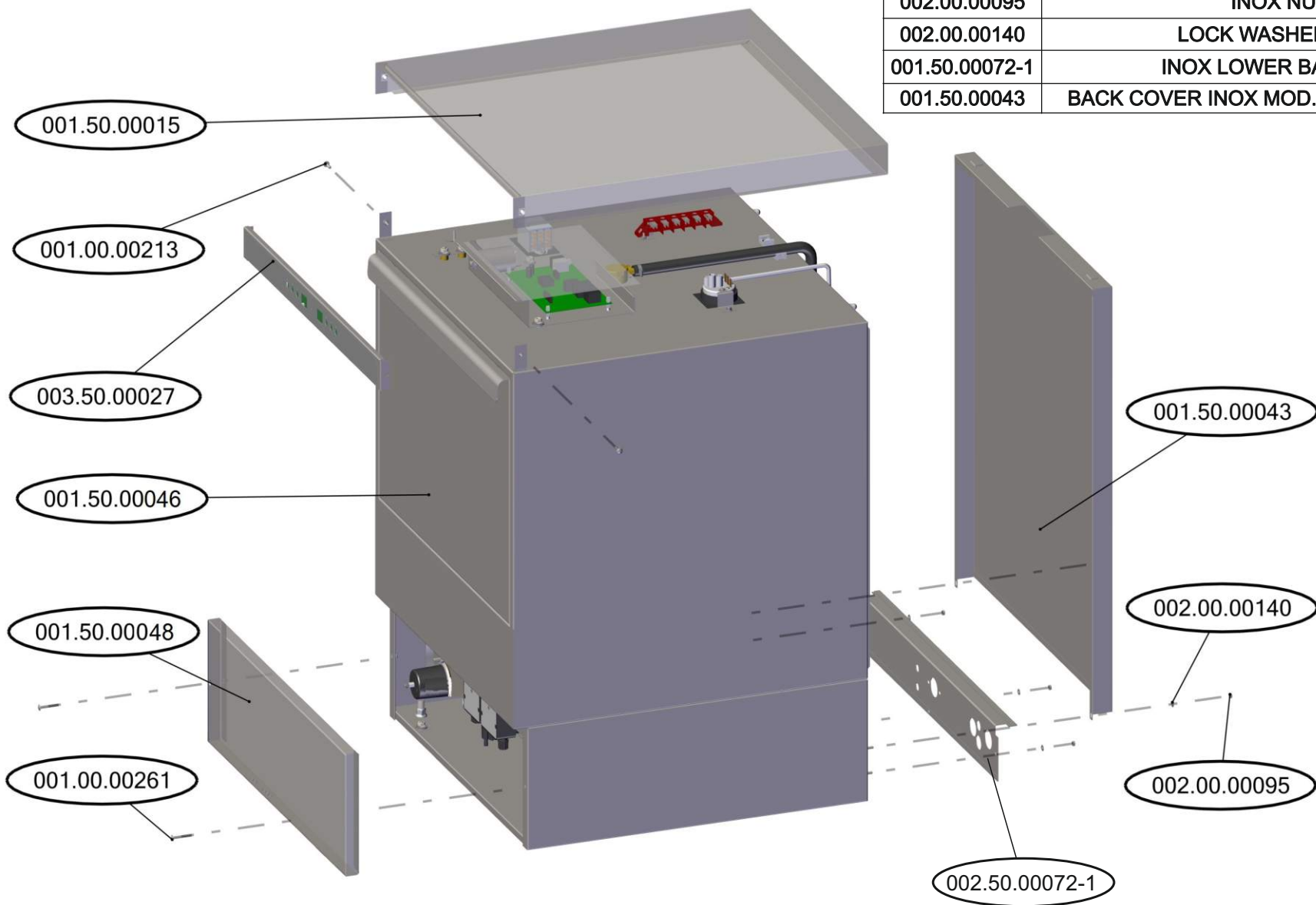
MODEL A500

R1

DESCRIPTION : STEEL STRUCTURE AND COVERS

ITEM CODE : -

PART ID	DESCRIPTION	QTY
001.50.00015	COVER UPPER INOX MOD50/V1/STANDARD	1
001.00.00213	INOX SCREW M4X15	2
003.50.00027	DISPLAY PANEL COMPLETE	1
001.50.00046	DOOR COMPLETE STANDARD	1
001.50.00048	FRONT COVER INOX MOD50	1
001.00.00261	INOX SCREW M4X30	2
002.00.00095	INOX NUT M4	5
002.00.00140	LOCK WASHER INOX D4	9
001.50.00072-1	INOX LOWER BACK COVER	1
001.50.00043	BACK COVER INOX MOD.50 / DR1 / STANDARD	1



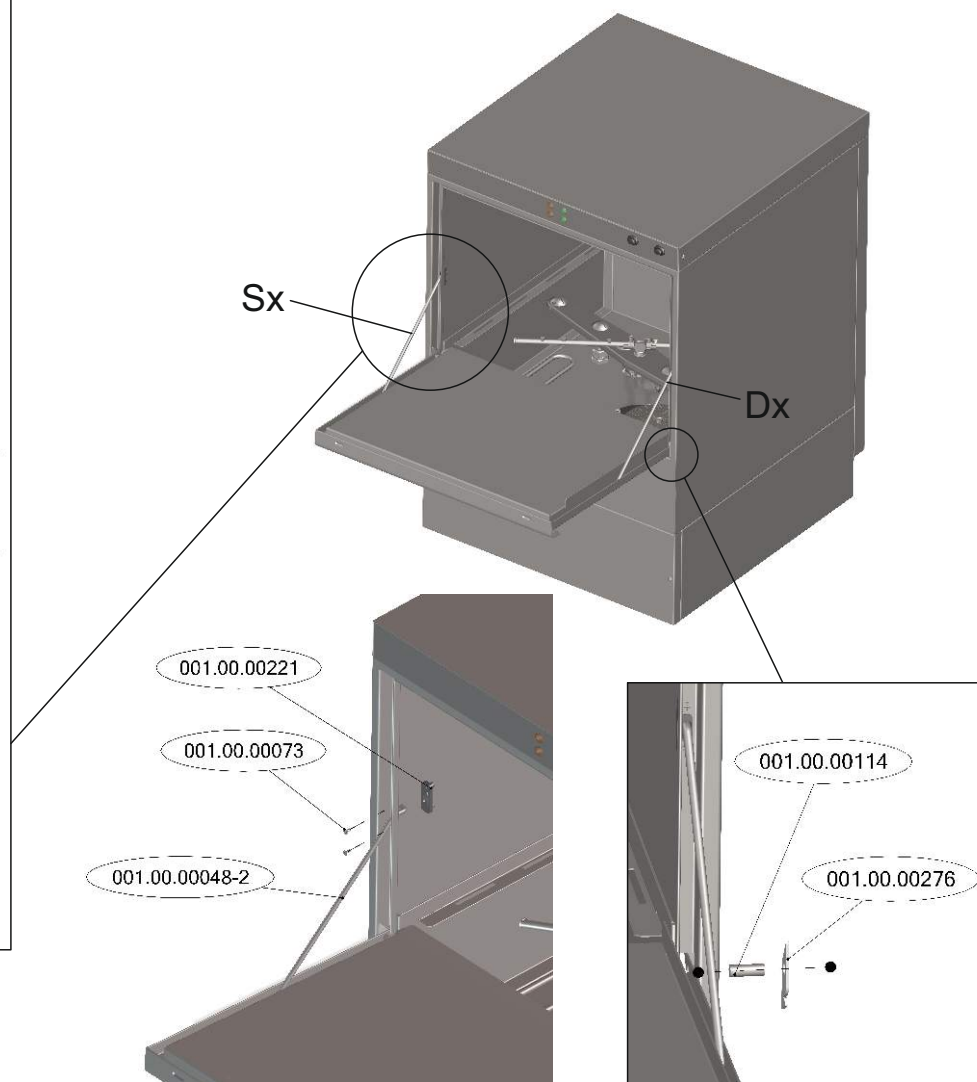
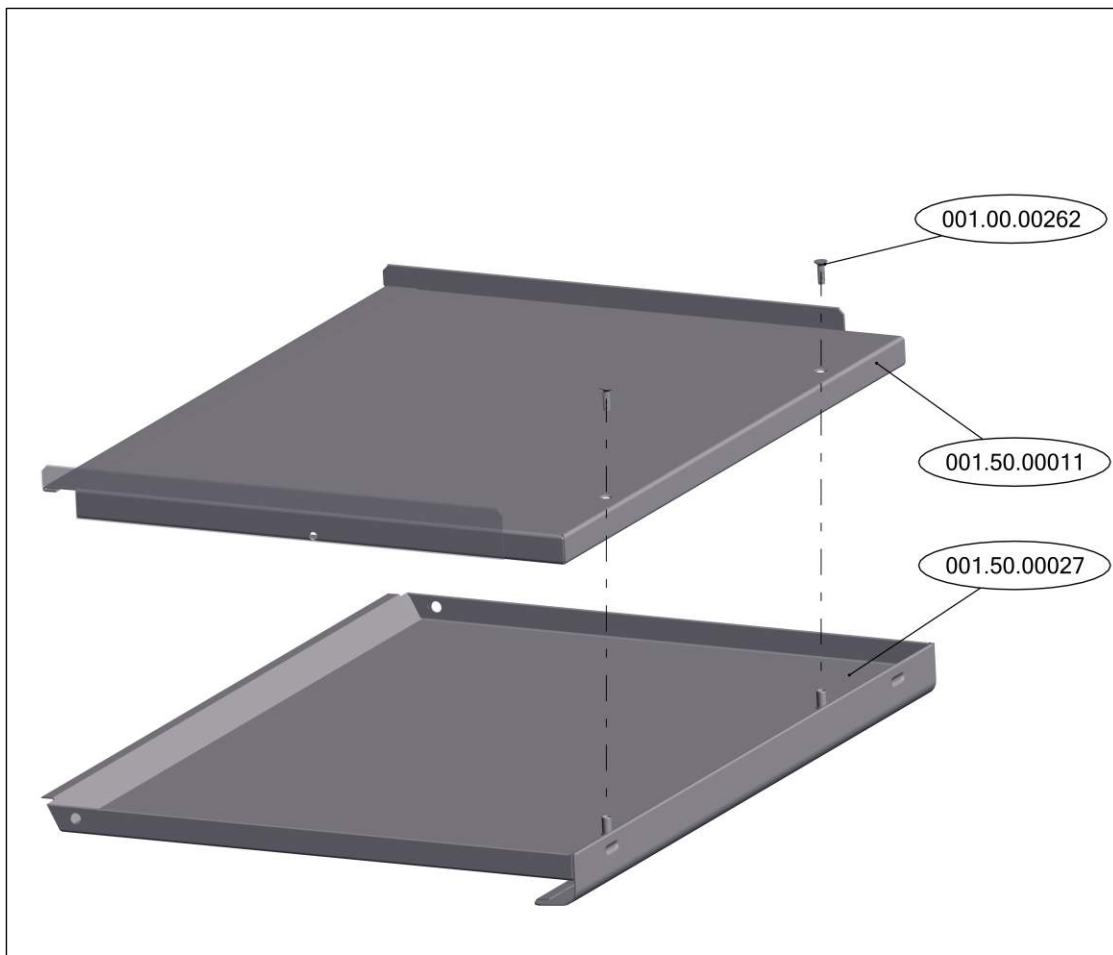
MODEL A500

R1

DESCRIPTION : DOOR ASSEMBLY

ITEM CODE : 001.50.00046

PART ID	DESCRIPTION	QTY
001.00.00262	INOX TAPPED SCREW M5x16	1
001.50.00011	BACK PART OF THE DOOR MOD 50	1
001.50.00027	FROND PART OF THE DOOR MOD50	1
001.50.00046	DOOR COMPLETE V-K	1
001.00.00114	DOOR SUPPORT 8X23	1
001.00.00276	DOOR SPACER NEW	2
001.00.00221	PLASTIC GUIDE FOR DOOR AXLE	3
001.00.00073	INOX SCREW 2.9x10	4
001.00.00048-1	DOOR SUPPORT AXLE DX (M6x300)	1
001.00.00048-2	DOOR SUPPORT AXLE SX (M6x300)	1



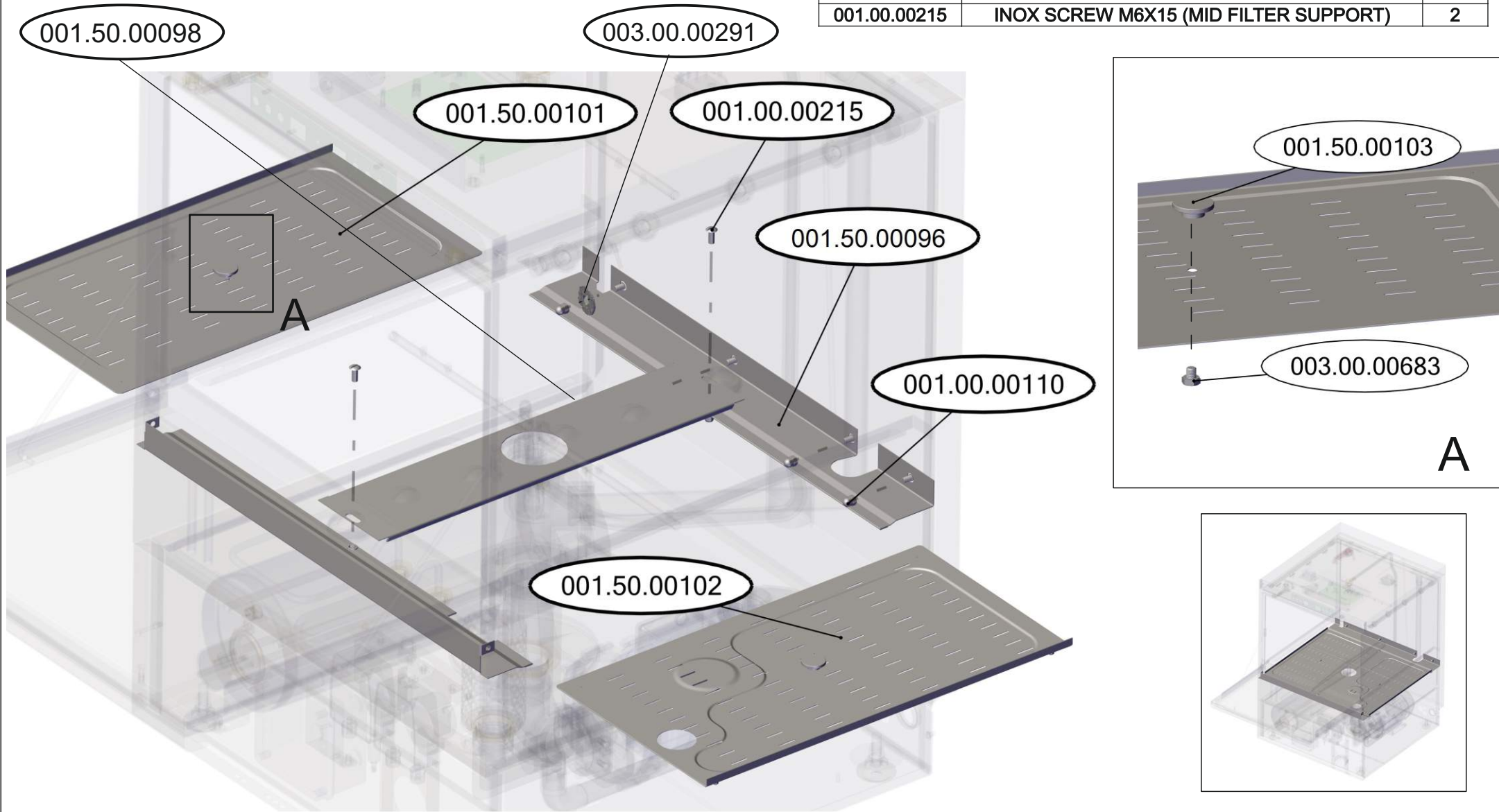
MODEL A500

R1

DESCRIPTION : SURFACE FILTER SYSTEM (*OPTIONAL)

ITEM CODE : -

PART ID	DESCRIPTION	QTY
001.50.00101	FILTER FOR MOD.50 LEFT COMPLETE	1
001.50.00102	FILTER FOR MOD.50 RIGHT COMPLETE	1
001.50.00103	INOX KNOB FOR SURFASE FILTER MOD.50	2
003.00.00683	INOX HEX BOLD M6X6	2
001.50.00096	FILTER SUPPORT BACK MOD.50	1
001.00.00110	DOMED CAP NUT M6 INOX	4
003.00.00291	WASHER INOX Φ 6X18 BACK	4
001.50.00098	FILTER SUPPORT MIDDLE MOD.50	1
001.00.00215	INOX SCREW M6X15 (MID FILTER SUPPORT)	2



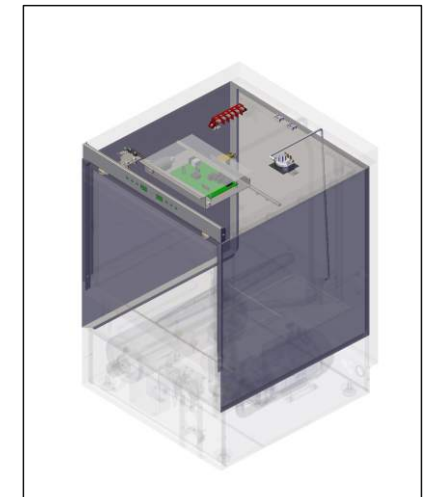
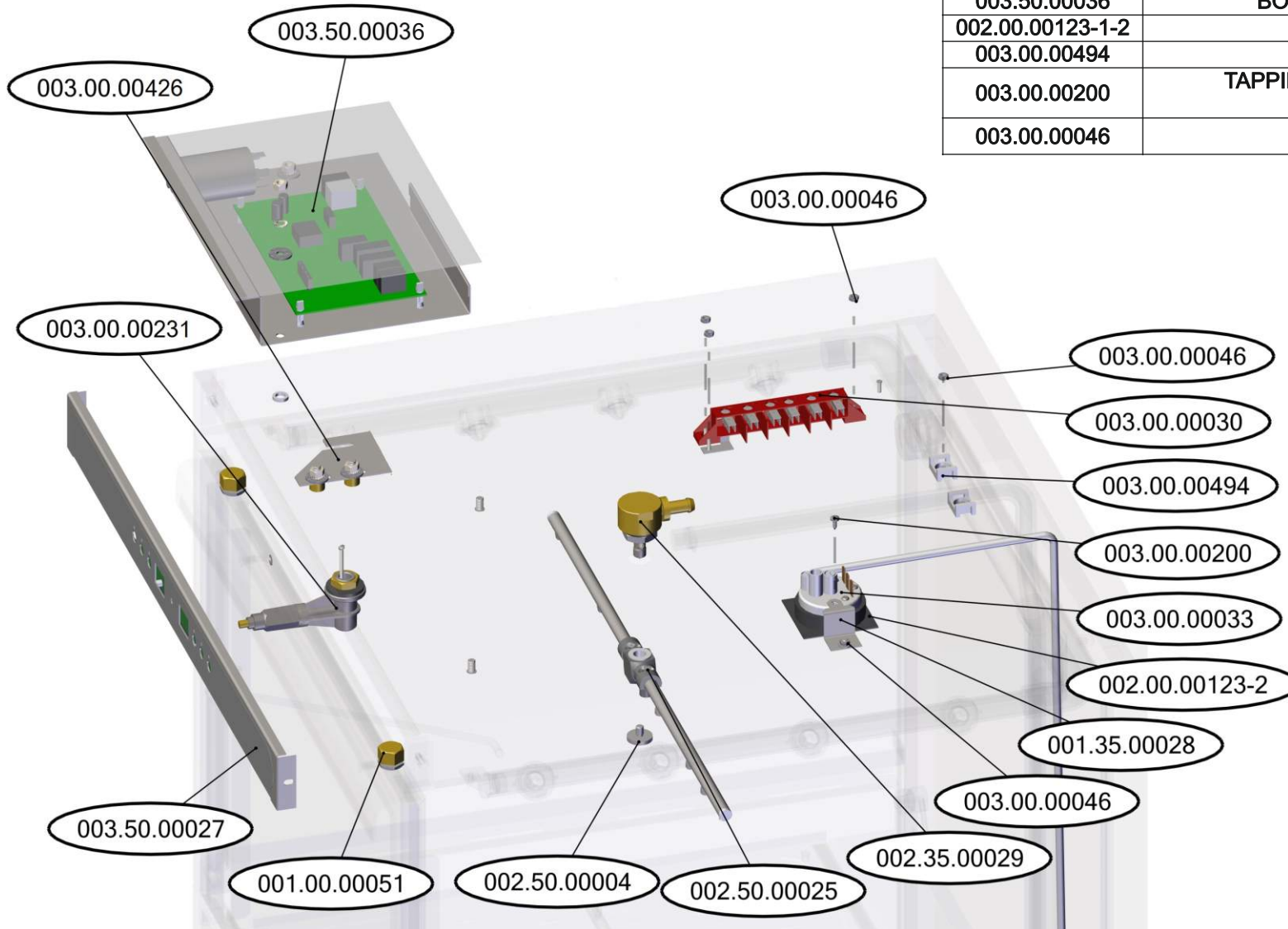
MODEL A500

R1

DESCRIPTION : ELECTROMECHANICAL EQUIPMENT-TOP

ITEM CODE : -

PART ID	DESCRIPTION	QTY
003.50.00027	DISPLAY PANEL COMPLETE	1
003.00.00426	DOOR SWITCH EL.PART COMPLETE	1
003.00.00033-1	PRESSOSTAT SWITCH	1
003.00.00231	DOOR SWITCH MECHANICAL PART-COMPLETE	1
002.35.00029	UPPER RINSE BASE COMPLETE	1
001.00.00051	DOOR SNAP SET	2
002.50.00026	RINSE ARM UP UP/DOWN MOD50	1
002.50.00004	LOCK NUT FOR RINSING ARM	1
003.00.00030	POWER SUPPLY BOARD 6con.	1
003.50.00036	BOARD PANEL COMPLETE A500	1
002.00.00123-1-2	RUBBER SHEET 1mm	1
003.00.00494	CABLE PLASTIC CLAMP	2
003.00.00200	TAPPING SCREW 3.9x9.5 GALVANISED (PRESSOSTAT SUPPORT)	1
003.00.00046	NUT M4 GALVANISED	6



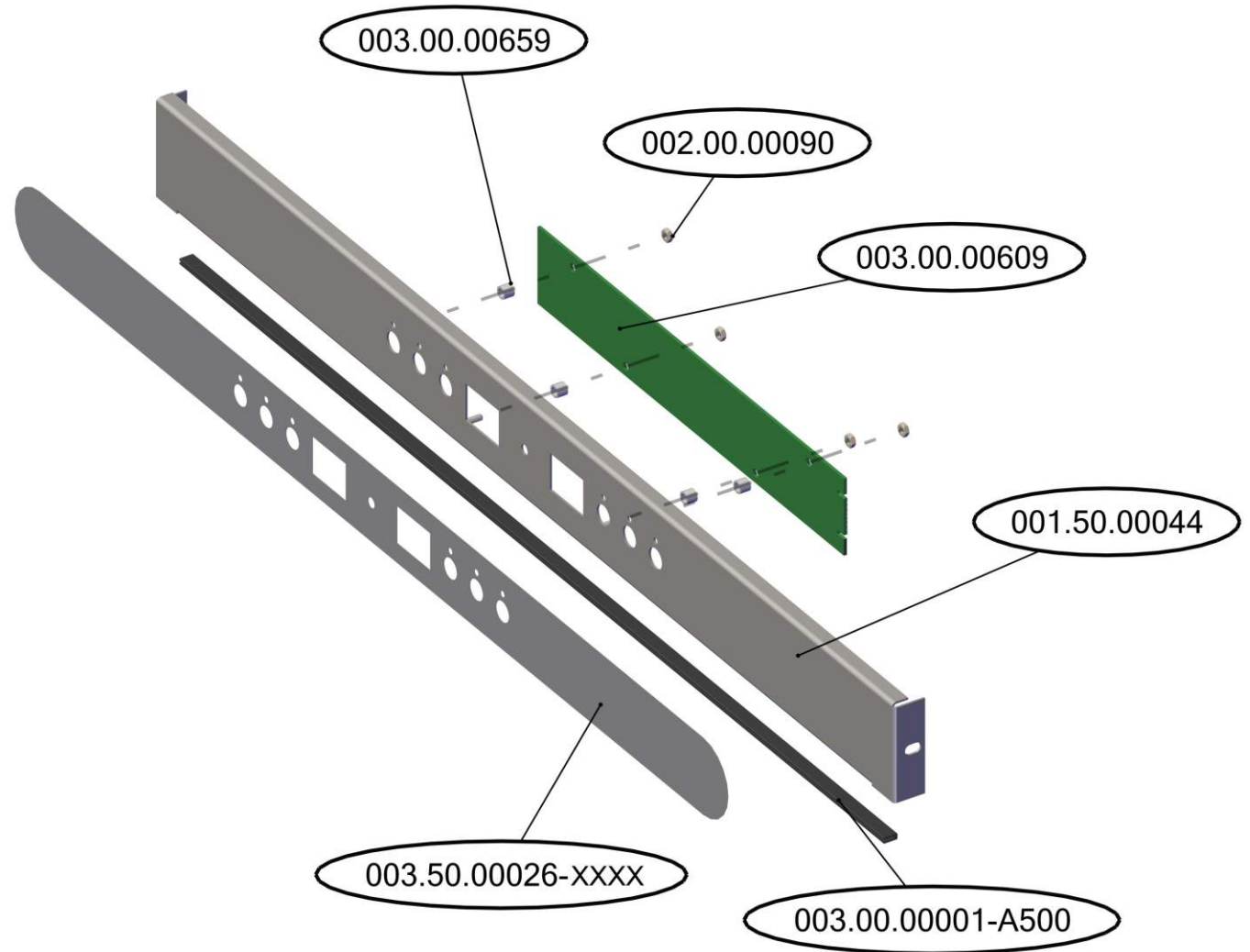
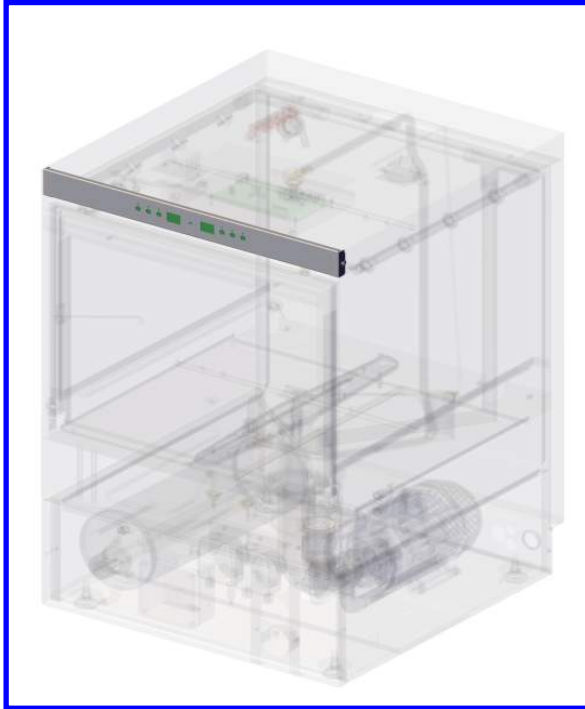
MODEL A500

R1

DESCRIPTION : DISPLAY PANEL COMPLETE

ITEM CODE : 003.50.00027

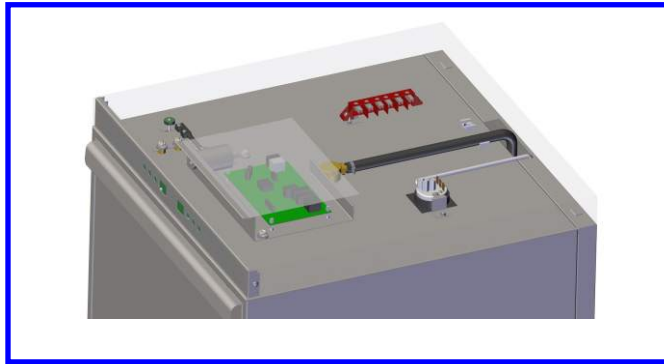
PART ID	DESCRIPTION	QTY
002.00.00090	NUT M3 GALVANISED	4
003.00.00659	PCU SPACER 3.4x6x5	4
003.00.00609	USER INTERFACE 7 SEGM. DISPLAY VERSION	1
001.50.00044 - A500	PANEL SWITCH INOX A500	1
003.00.00001 - A500	RUBBER INSERT TYPE U	1
003.50.00026 - xxxx	FILM LCD - ACCORDING TO CUSTOMER	1



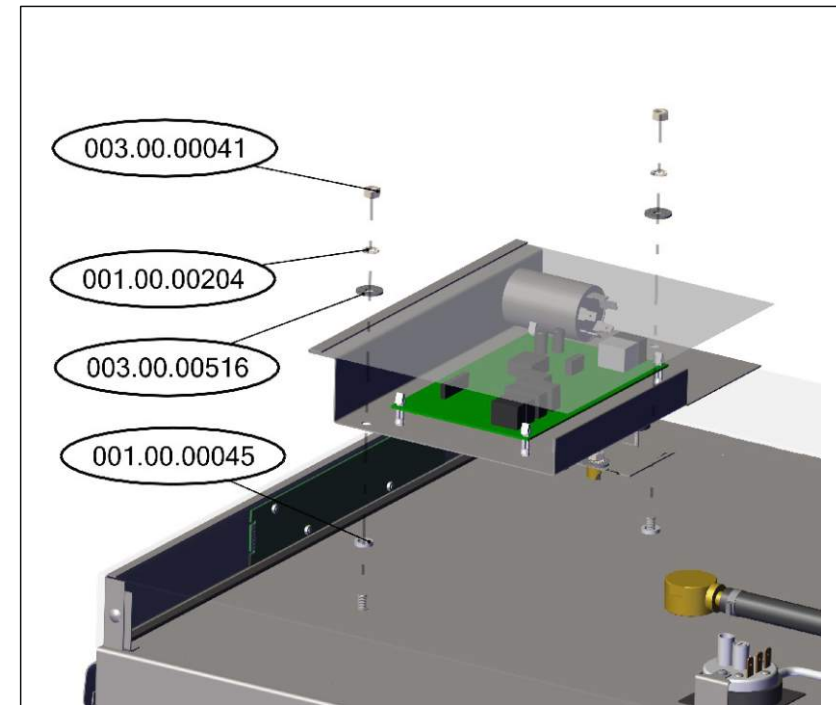
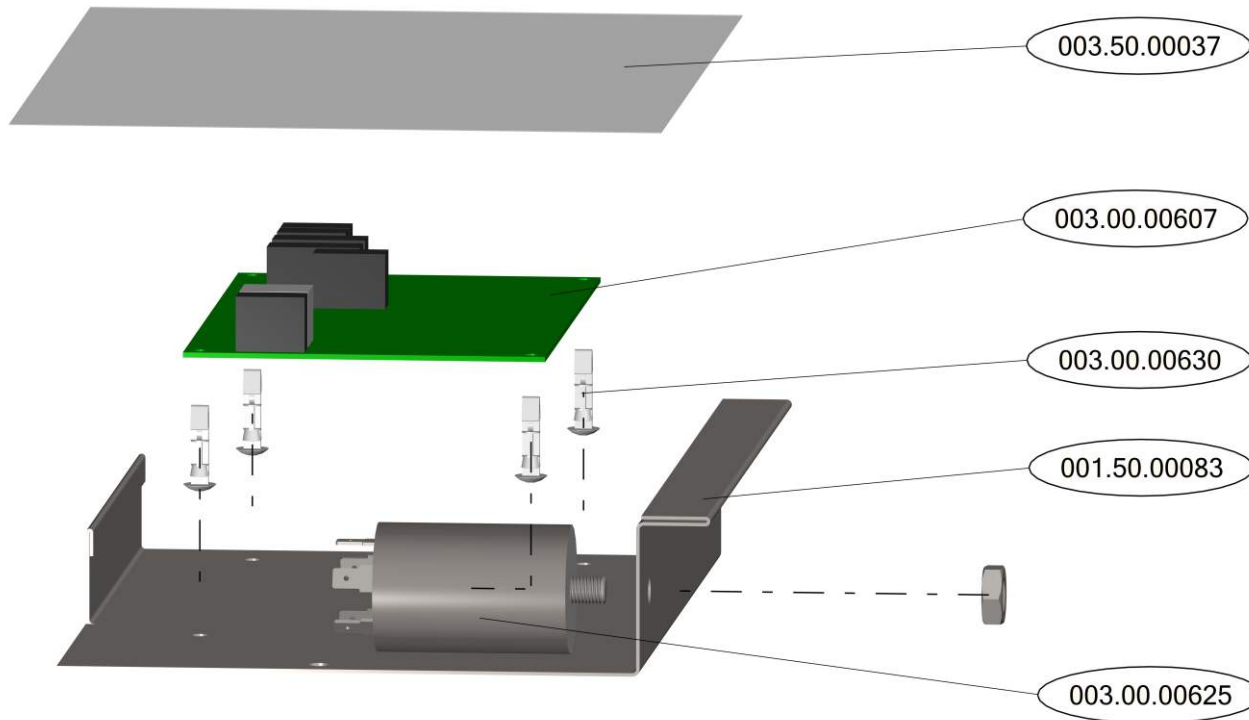
MODEL A500

R1

DESCRIPTION : BOARD PANEL COMPLETE

ITEM CODE : [003.50.00036](#)

PART ID	DESCRIPTION	QTY
003.00.00607	NUT M3 GALVANISED	1
003.00.00625	ELECTROMAGNETIC FILTER	1
003.00.00630	SPACER PLASTIC PCB RC-14	4
001.50.00083	BOARD BASE INOX	1
003.00.00587	THERMOCOUPLE SENSOR NTC 1.5M (NOT VISIBLE)	1
003.00.00610	ATLAS -USER CONNECTION CABLE L=500mm (NOT VISIBLE)	1
003.50.00037	COVER FOR PANEL A500	1
003.00.00041	NUT M6 (GALV)	2
003.00.00352	LOCK WASHER D6	2
003.00.00516	WASHER D6×18 GALVANISED	2
001.00.00045	TEFLON WASHER D 12,5 × 8 × 2,5	2
003.50.00034	WIRING SET Á500 - SF ARIANE (NOT VISSIBLE)	1



BOARD PANEL SUPPORT

MODEL A500

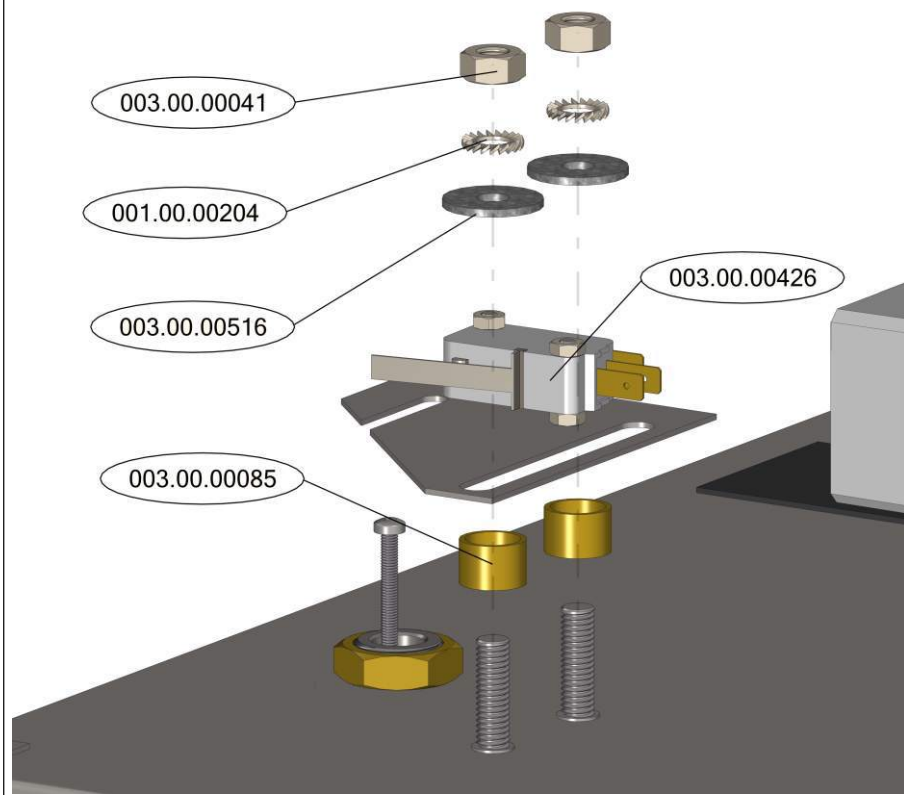
R1

DESCRIPTION : DOOR SWITCH ELECTRICAL PART COMP.

ITEM CODE : 003.00.00426

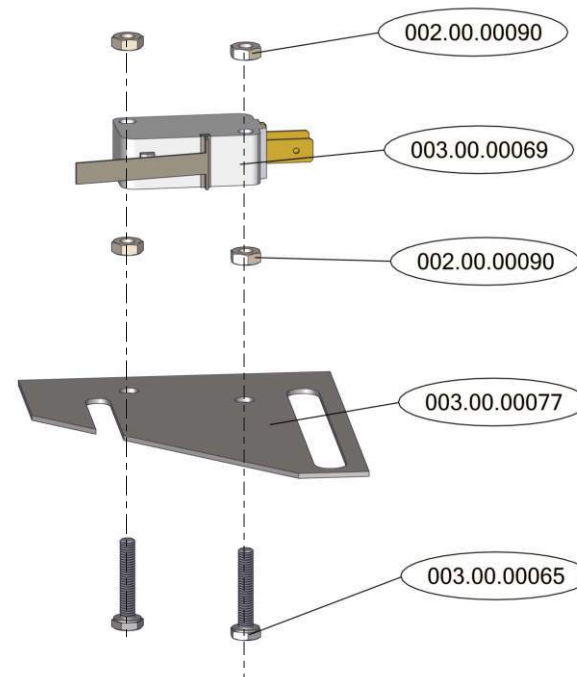
PART ID	DESCRIPTION	QTY
003.00.00426	DOOR SWITCH ELECTRICAL PART	1
003.00.00085	SPACER FOR DOOR SWITCH	2
003.00.00516	WASHER D6x18 GALVANISED	2
001.00.00204	LOCK WASHER D6	2
003.00.00041	NUT M6 GALVANISED	2

DOOR SWITCH ELECTRICAL PART - SUPPORT



PART ID	DESCRIPTION	QTY
003.00.00069	DOOR MICROSWITCH 16A	1
002.00.00090	NUT M3 GALVANISED	4
003.00.00077	STEEL ELECTRICAL DOOR SWITCH PLATE	1
003.00.00065	HEX BOLT M3x16 GALVANISED	2

DOOR SWITCH ELECTRICAL PART - ASSEMBLY



MODEL A500

R1

DESCRIPTION : MECHANICAL EQUIPMENT - TOP

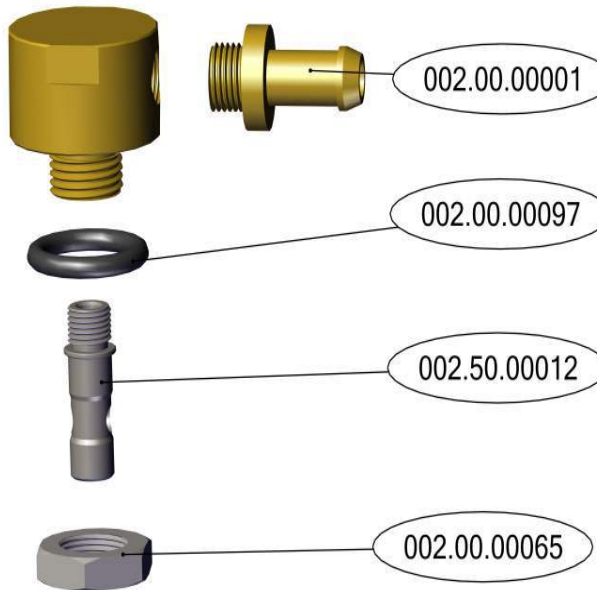
ITEM CODE :

PART ID	DESCRIPTION	QTY
002.00.00159	ORING 10x1.5	1
003.00.00071	NUT FOR DOOR SWITCH	1
003.00.00489	RUBBER GASKET 16x30x3	1
002.00.00001	FITTINGS 1/4x10	1
002.00.00097	O-RING 20x4	1
002.50.00012	INOX AXLE RINSE BASE	1
002.00.00065	NUT 3/8	1



COMPLETE SET

003.00.00231 SWITCH MECHANICAL PART



COMPLETE SET

002.35.00029 UPPER RINSING BASE



COMPLETE SET

001.00.00051 DOOR SNAP

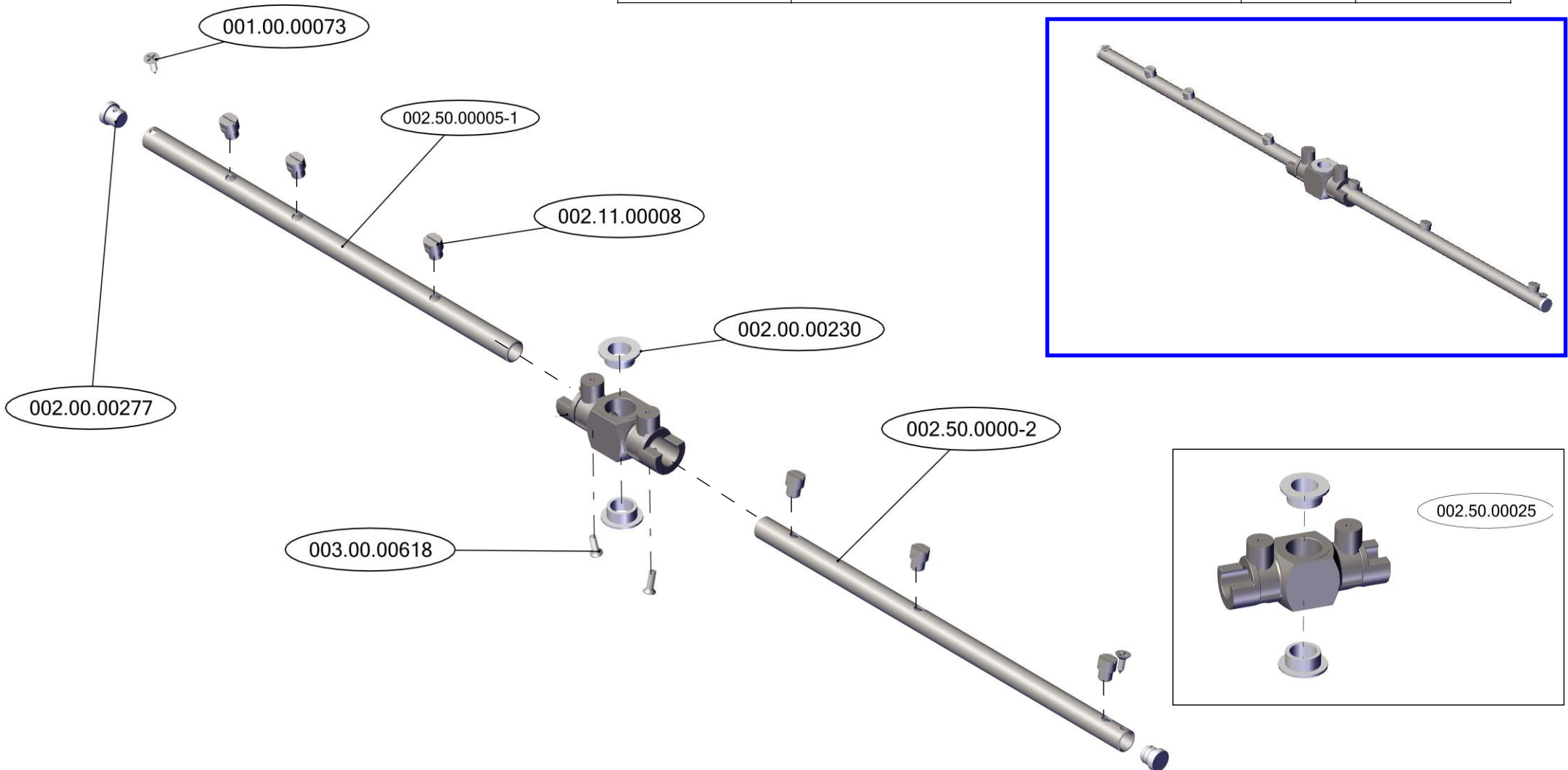
MODEL A500

R1

DESCRIPTION : RINSE ARM MOD50 COMPLETE - 2 SETS ONE UP AND ONE DOWN

ITEM CODE: 002.50.00026

PART ID	DESCRIPTION	QTY- SET	PER MACHINE
002.00.00230	TEFLON D18x6	2	4
002.50.00025	PLASTIC BASE FOR RINSING ARMS	1	2
003.00.00618	INOX SCREW M3x10	2	4
002.11.00008	SPRAYER FOR RINSING ARM	6	12
002.00.00277	PLASTIC CAP FOR RINSE ARM	2	4
002.50.00005-1	PIPE D10x220	1	2
002.50.00005-2	PIPE D10x220	1	2
001.00.00073	INOX SCREW 2.9x9.5	2	4



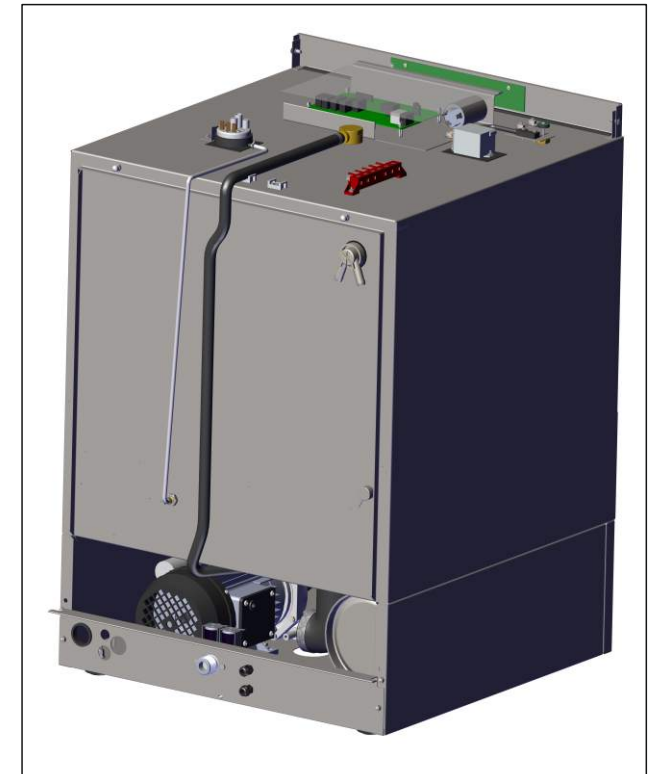
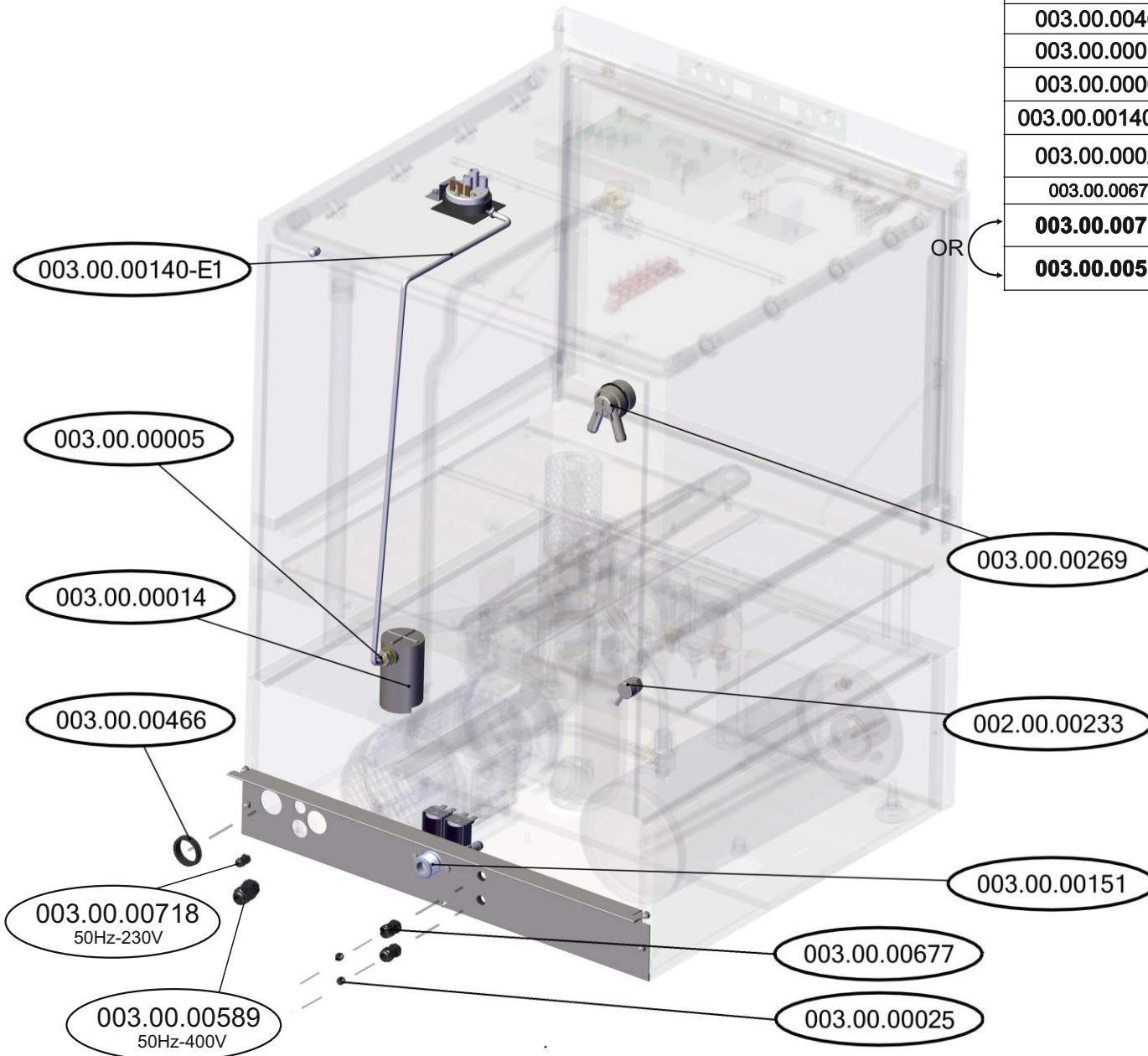
MODEL A500

R1

DESCRIPTION : ELECTROMECHANICAL - BACK

ITEM CODE : -

PART ID	DESCRIPTION	QTY
003.00.00269	NO RETURNE VALVE (DVGW)	1
002.00.00233	DETERGENT TANK INJEKTOR 4-6mm	1
003.00.00151	BOUBLE WATER INPUT VALVE	1
003.00.00278	HEX BOLT M4x10 GALVANISED (WATER INPUT VALVE SUPPORT)	2
003.00.00466	RUBBER CABLE PROTECTION N30	1
003.00.00014	PRESSOSTATS CHAMBER	1
003.00.00005	TIRE UP 98x2.5	2
003.00.00140-E1	TUBO TRANSPARENT 4X6 L :760mm	1
003.00.00025	CABLE RUBBER PROTECTOR NO3(STANDARD)	2
003.00.00677	CABLE CLAMP PG-07 (OPTIONAL*)	2
003.00.00718	CABLE GLAND Pg11 (50Hz-230V)	1
003.00.00519	CABLE GLAND Pg16 (50Hz-400V)	1



MODEL A500

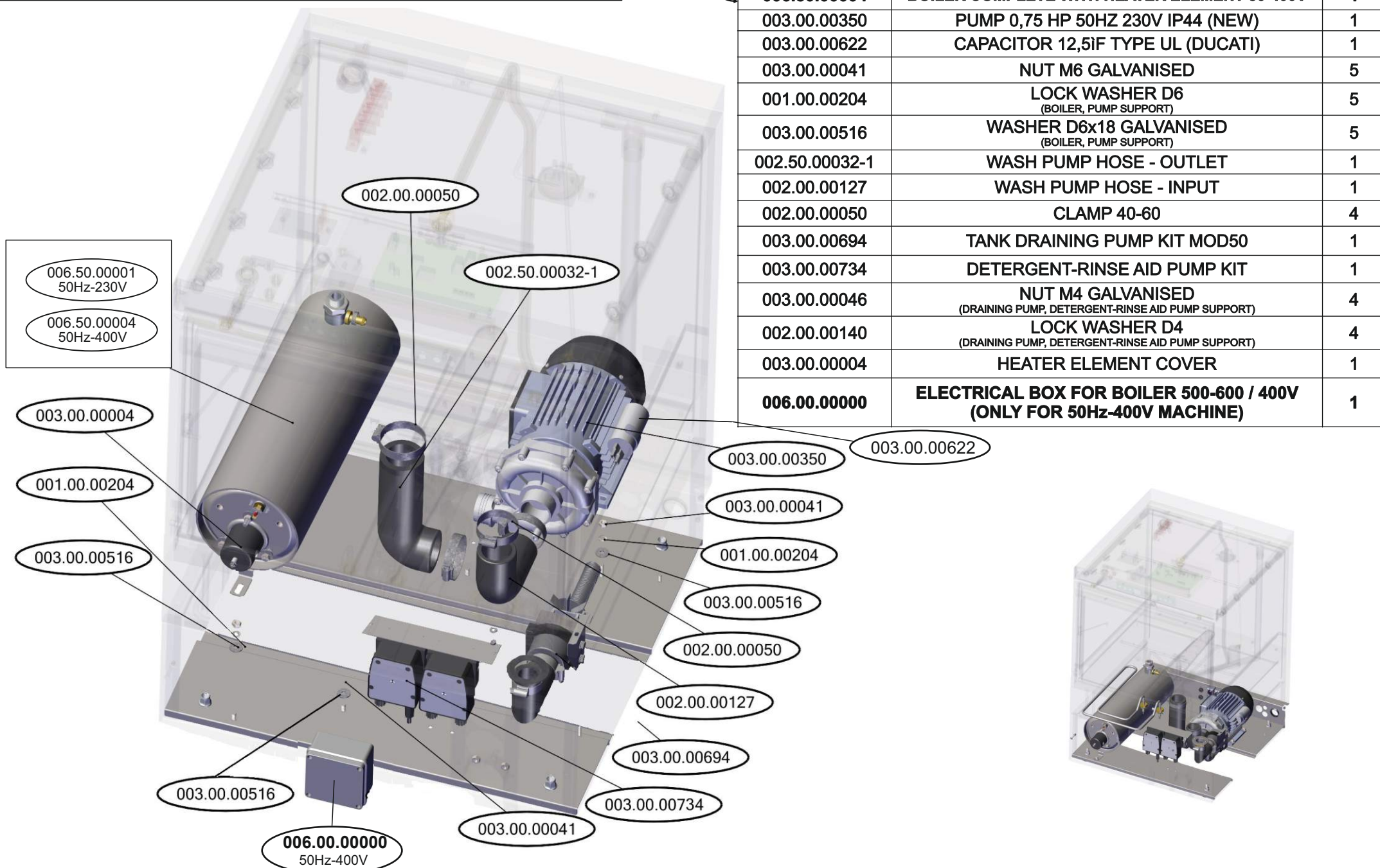
R1

DESCRIPTION : ELECTROMECHANICAL - BASE

ITEM CODE : -

OR

PART ID	DESCRIPTION	QTY
006.50.00001	BOILER COMPLETE WITH HEATER ELEMENT 50-230V	1
006.50.00004	BOILER COMPLETE WITH HEATER ELEMENT 50-400V	1
003.00.00350	PUMP 0,75 HP 50HZ 230V IP44 (NEW)	1
003.00.00622	CAPACITOR 12,5IF TYPE UL (DUCATI)	1
003.00.00041	NUT M6 GALVANISED	5
001.00.00204	LOCK WASHER D6 (BOILER, PUMP SUPPORT)	5
003.00.00516	WASHER D6x18 GALVANISED (BOILER, PUMP SUPPORT)	5
002.50.00032-1	WASH PUMP HOSE - OUTLET	1
002.00.00127	WASH PUMP HOSE - INPUT	1
002.00.00050	CLAMP 40-60	4
003.00.00694	TANK DRAINING PUMP KIT MOD50	1
003.00.00734	DETERGENT-RINSE AID PUMP KIT	1
003.00.00046	NUT M4 GALVANISED (DRAINING PUMP, DETERGENT-RINSE AID PUMP SUPPORT)	4
002.00.00140	LOCK WASHER D4 (DRAINING PUMP, DETERGENT-RINSE AID PUMP SUPPORT)	4
003.00.00004	HEATER ELEMENT COVER	1
006.00.00000	ELECTRICAL BOX FOR BOILER 500-600 / 400V (ONLY FOR 50Hz-400V MACHINE)	1



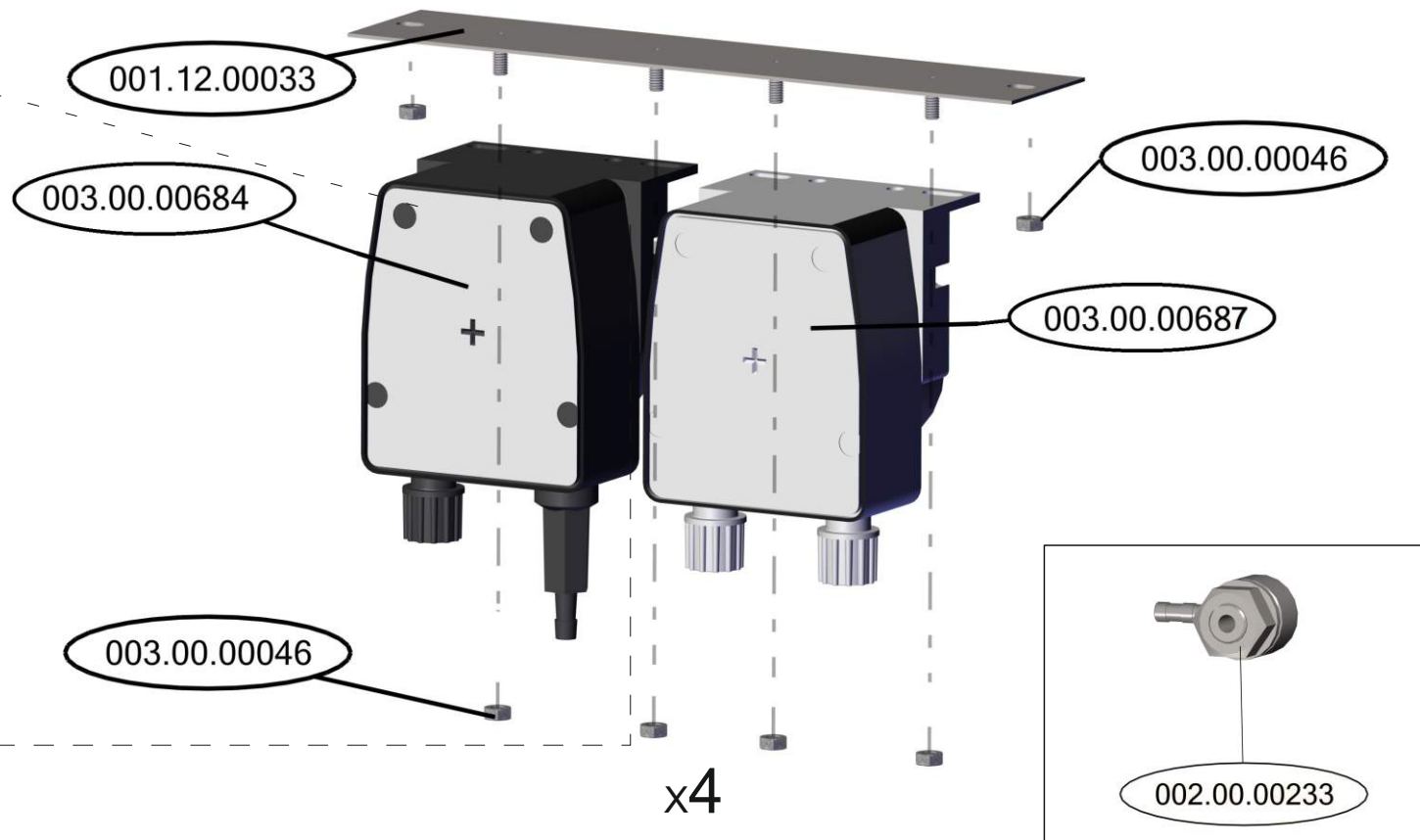
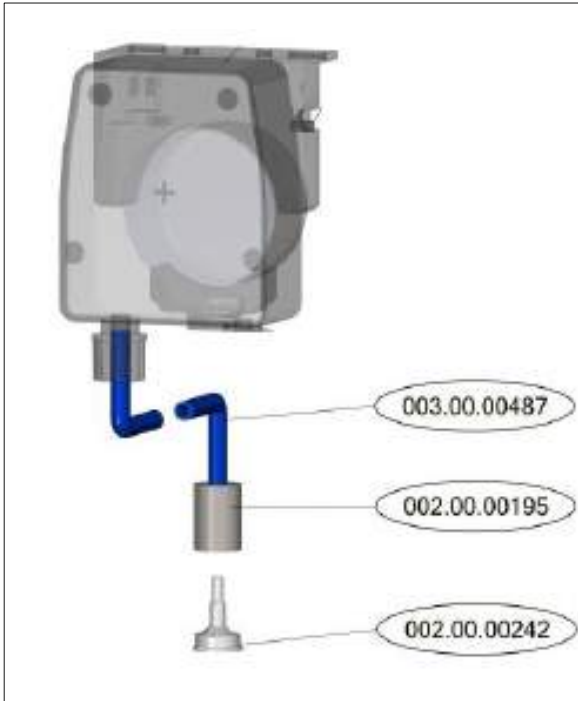
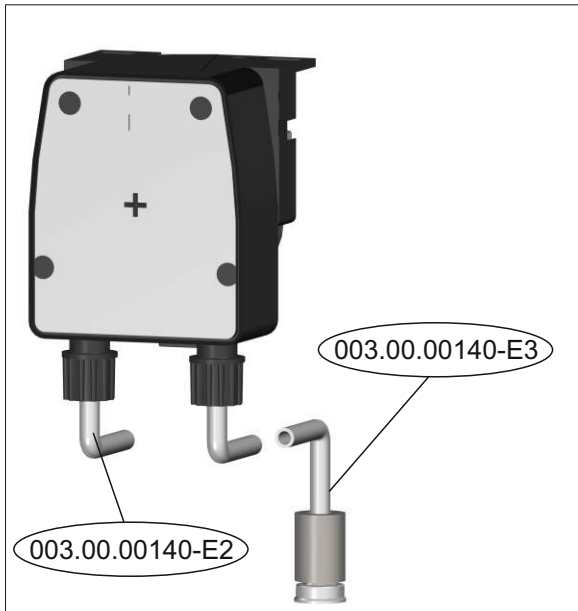
MODEL A500

R1

DESCRIPTION : DETERGENT & RINSE AID PUMP KIT

ITEM CODE : 003.00.00702

PART ID	DESCRIPTION	QTY
001.12.00033	BRACKET FOR PERISTALTIC PUMPS MODEL 1200	1
002.00.00195	BALANCE F15x20	2
002.00.00242	FILTER PLASTIC FOR RINSE AID VALVE	2
003.00.00046	NUT GALVANISED M4 (kit support, pump support)	6
003.00.00140-E2	TUBO TRANSPARENT 4x6 L : 1000mm	1
003.00.00140-E3	TUBO TRANSPARENT 4x6 L : 2100mm	1
003.00.00487	TUBO PVC BLUE 4x6 L : 2100mm	1
003.00.00684	PERISTALTIC DETERGENT PUMP SEKO	1
003.00.00687	PERISTALTIC RINSE AID PUMP SEKO	1
002.00.00162	LOCK WASHER M4	6
001.00.00280	WASHER Φ 4X10	6
002.00.00233	DETERGENT TANK INJEKTOR 4-6mm	1

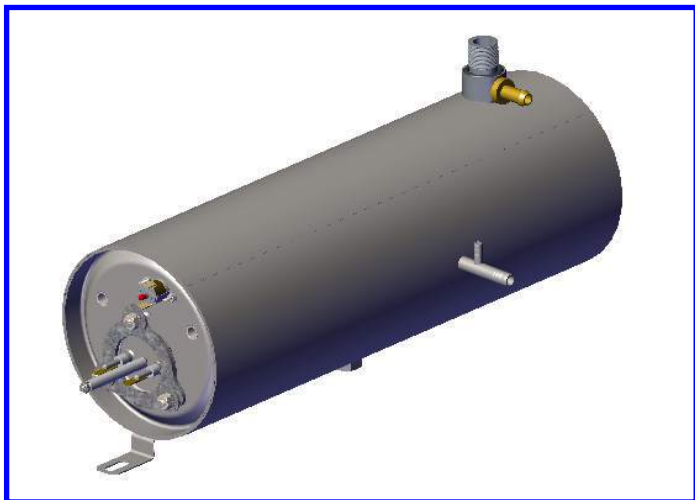


MODEL A500

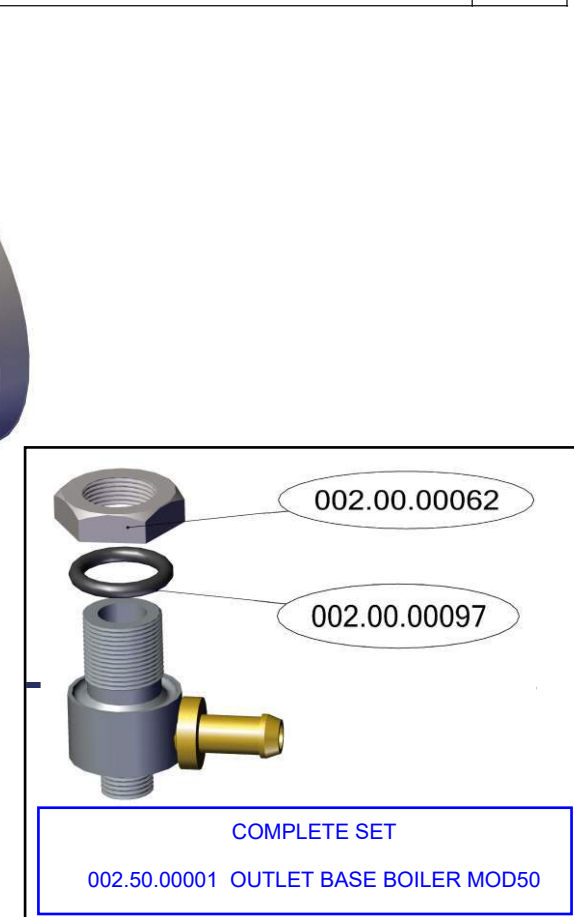
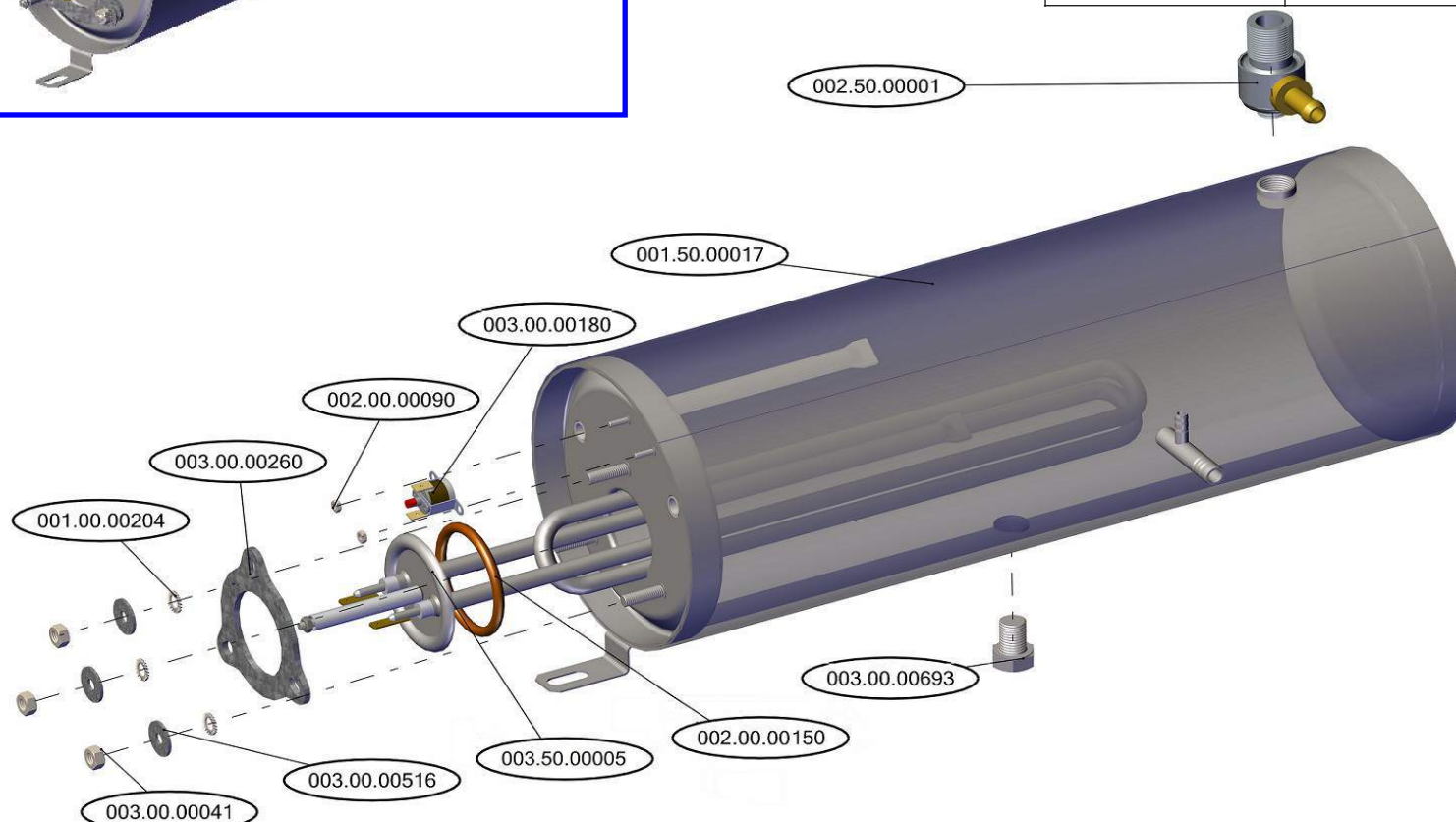
R1

DESCRIPTION : BOILER COMPLETE WITH HEATER ELEMENT 50-230 Volt

ITEM CODE : **006.50.00001** FOR SINGLE PHASE MACHINE



PART ID	DESCRIPTION	QTY
001.50.00017	BOILER FOR MOD50 - STEEL	1
003.00.00693	M12x16 INOX HEX (1.75)	1
003.50.00005	HEATER ELEM.BOILER 3KW 230V V-K (WITH ORING)	1
002.00.00150	O RING 45X6	1
003.00.00260	BOIL.ELEMENT FITTING BASE	1
003.00.00516	WASHER D6x18 GALVANISED	3
001.00.00204	LOCK WASHER D6	3
003.00.00041	NUT M6 GALVANISED	3
003.00.00180	THERMOFUSE BOILER 105°C	1
002.00.00090	NUT M3 GALVANISED	2
002.50.00001	OUTLET BASE BOILER MOD50	1
002.00.00062	NUT 1/2 INOX	1
002.00.00097	ORING 20x4	1
002.00.00001	FITTINGS 1/4X10	1



MODEL A500

R1

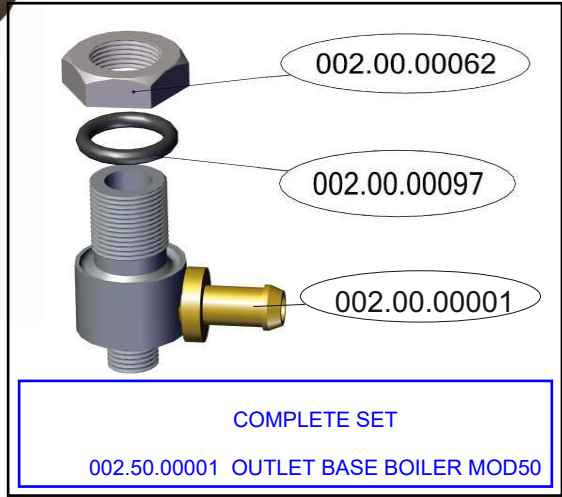
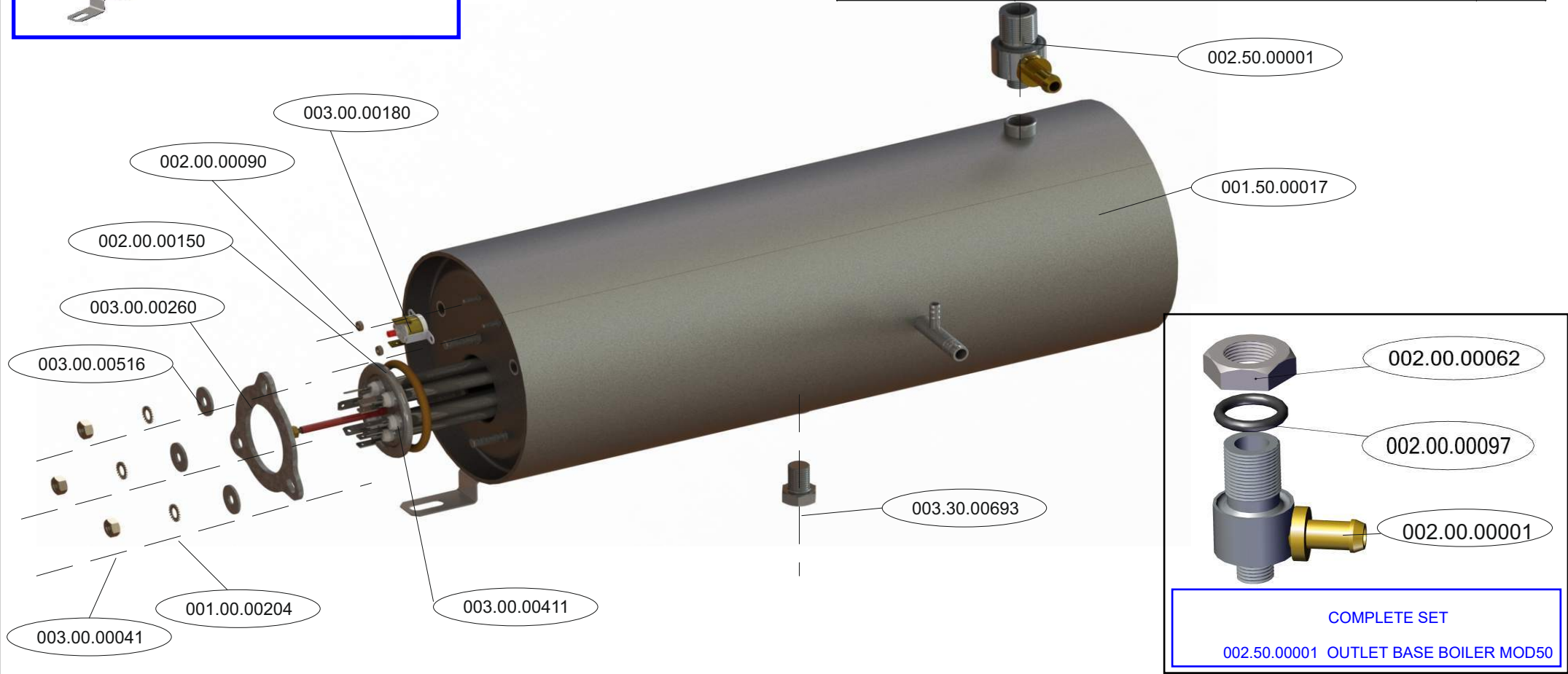
DESCRIPTION : BOILER COMPLETE WITH HEATER ELEMENT 50-400V

ITEM CODE : **006.50.00004**

FOR THREE PHASE MACHINE



PART ID	DESCRIPTION	QTY
001.50.00017	BOILER FOR MOD50 - STEEL	1
003.00.00693	M12x16 INOX HEX (1.75)	1
003.00.00411	HEATER ELEMENT BOILER 6KW 400V V-K (WITH ORING)	1
002.00.00150	O RING 45X6	1
003.00.00260	BOIL.ELEMENT FITTING BASE	1
003.00.00516	WASHER D6x18 GALVANISED	3
001.00.00204	LOCK WASHER D6	3
003.00.00041	NUT M6 GALVANISED	3
003.00.00180	THERMOFUSE BOILER 105°C	1
002.00.00090	NUT M3 GALVANISED	2
002.50.00001	OUTLET BASE BOILER MOD50	1
002.00.00062	NUT 1/2 INOX	1
002.00.00097	ORING 20x4	1
002.00.00001	FITTINGS 1/4X10	1

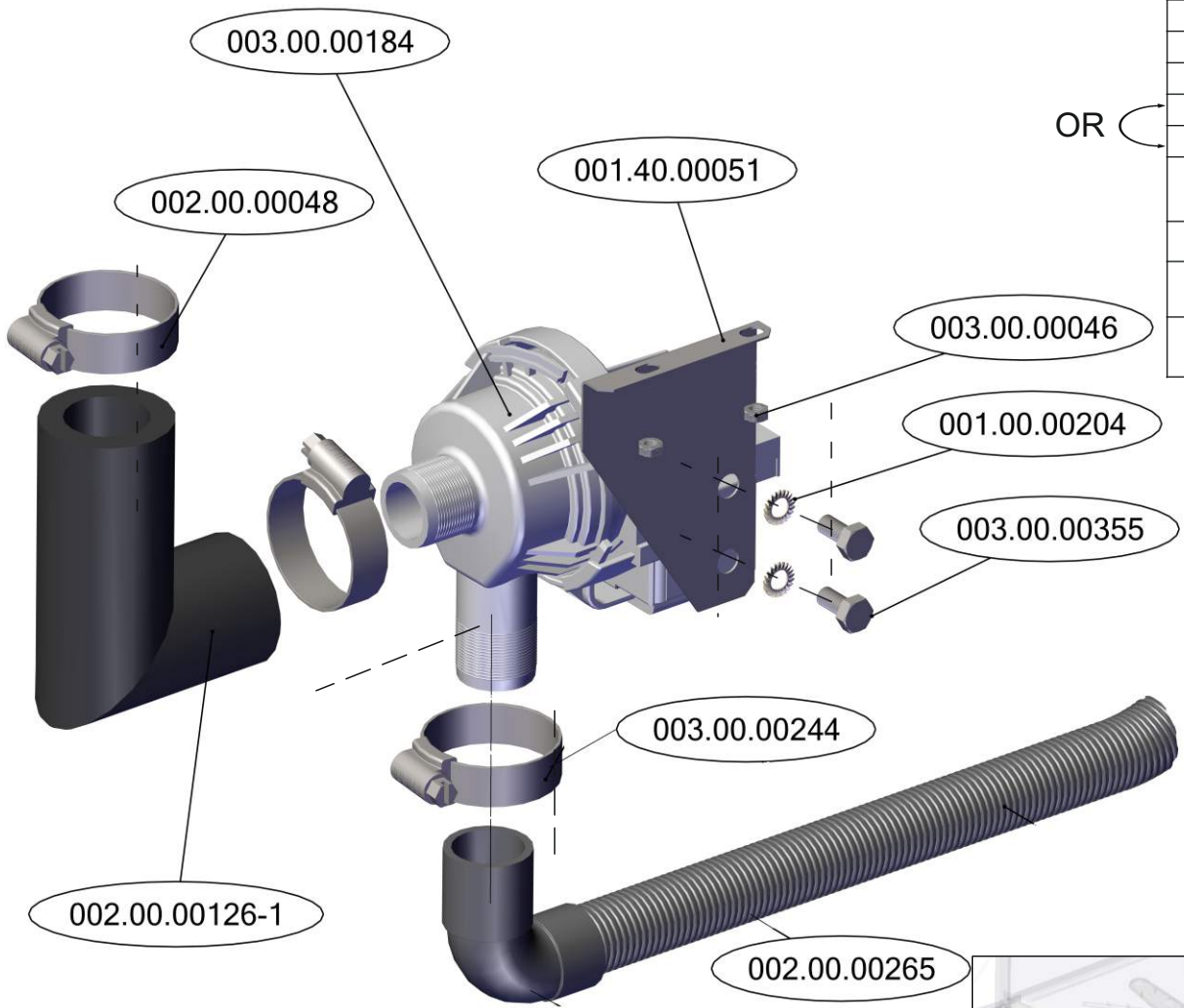


MODEL A500

R1

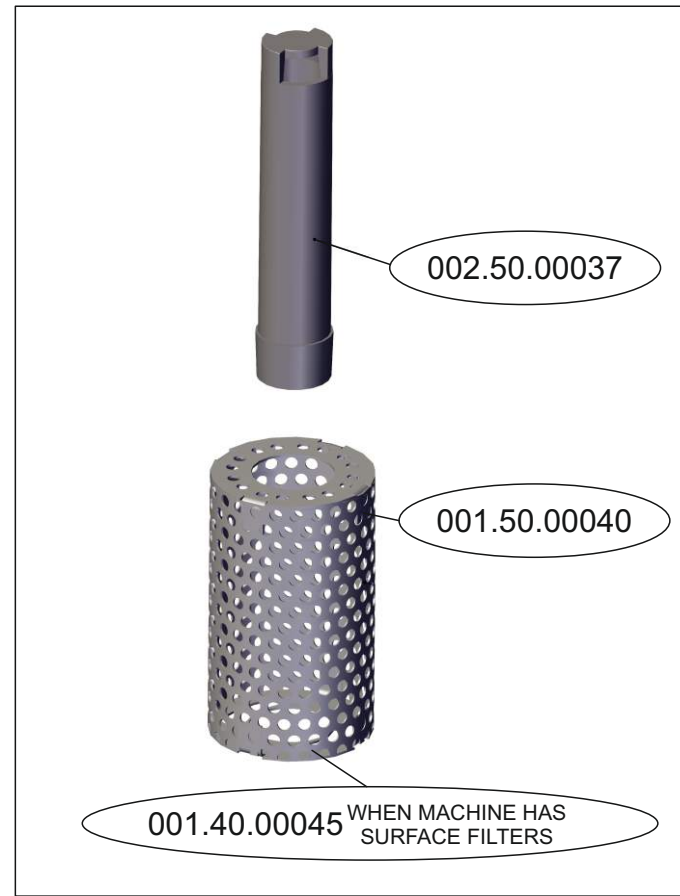
DESCRIPTION : DRAINING PUMP KIT

ITEM CODE : 003.00.00694



PART ID	DESCRIPTION	QTY
001.00.00204	LOCK WASHER D6	2
001.40.00051	INOX BASE FOR DRAINING PUMP	1
002.00.00048	CLAMP 25-40	2
002.00.00126-1	WASH PAMP HOSE (INPUT)	1
002.00.00265	ELBOW DRAINING PIPE OD22-ID19 L:1.5m	1
003.00.00184	TANK DRAINING PUMP 230v-65W	1
003.00.00355	HEX BOLT M6x12 GALVANISED	2
001.40.00045	DRAIN PUMP FILTER Eu40 - SURFACE FILTERS	1
001.50.00040	DRAIN PUMP FILTER MODEL 50 - STANDARD	1
002.50.00037	DRAIN&OVERFLOW VALVE PLASTIC PART FOR MODEL 50-DRAINING PUMP	1
003.00.00046	NUT M4 GALVANISED	2
002.00.00265	ELBOW DRAINING PIPE OD22-ID19 1,5l (NOT INCLUDED IN 003.00.00694 CODE)	1
003.00.00244	CLAMP 20-32 (NOT INCLUDED IN 003.00.00694 CODE)	1

OR



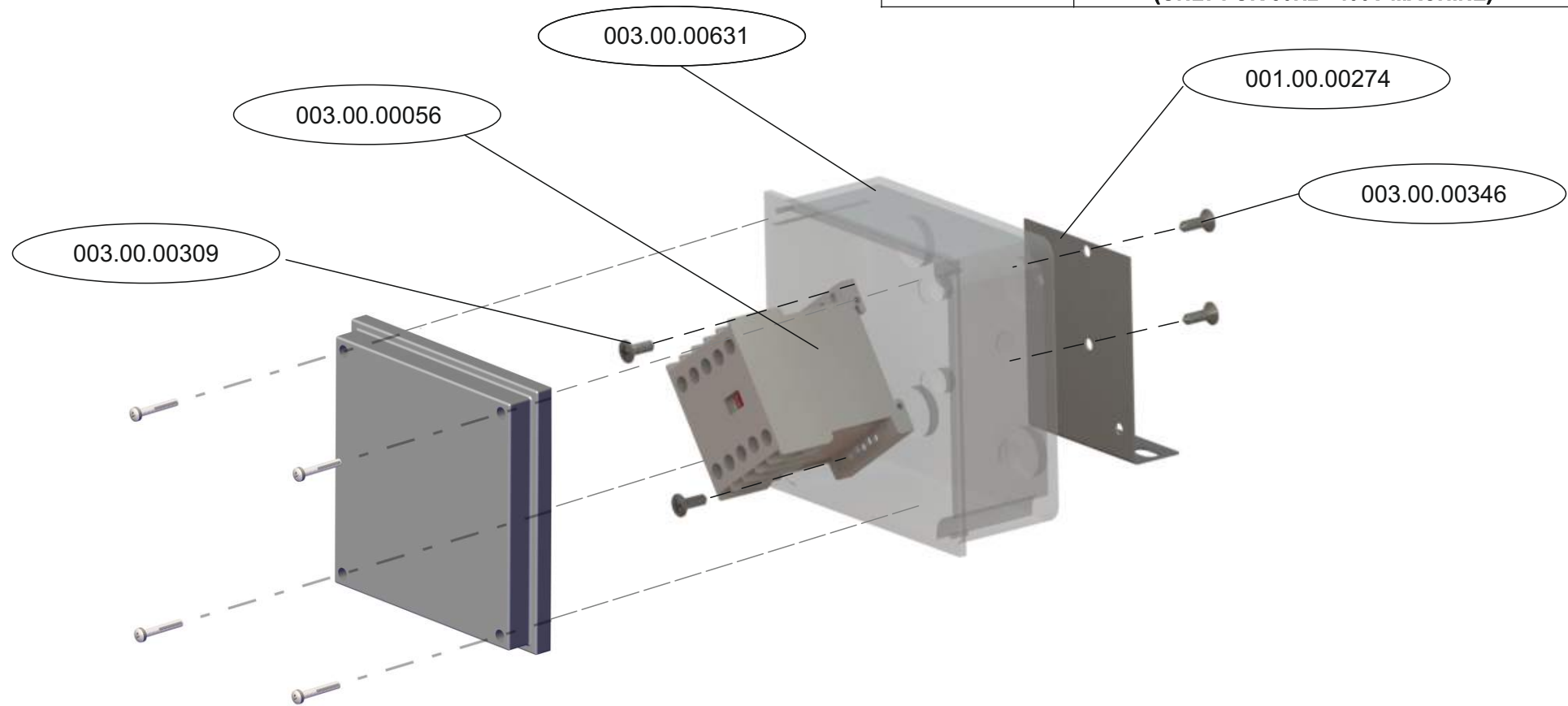
MODEL A500

R1

DESCRIPTION : COMPONENTS

ITEM CODE : 006.00.00000 (ONLY FOR 50Hz - 400V)

PART ID	DESCRIPTION	QTY
003.00.00631	BOX PLASTIC 100X100X70	1
001.00.00274	BRACKET FOR PLASTIC ELECTRICAL BOX	1
003.00.00056	MAGNETIC CONTACTOR MINI (1NO)	1
003.00.00346	TAPPING SCREW 4,8X13	1
003.00.00309	TAPPING SCREW 4.2X12	1
003.50.00035	WIRING SET EXTENSION Á500 - TF ARIANE- NOT VISIBLE (ONLY FOR 50Hz - 400V MACHINE)	1



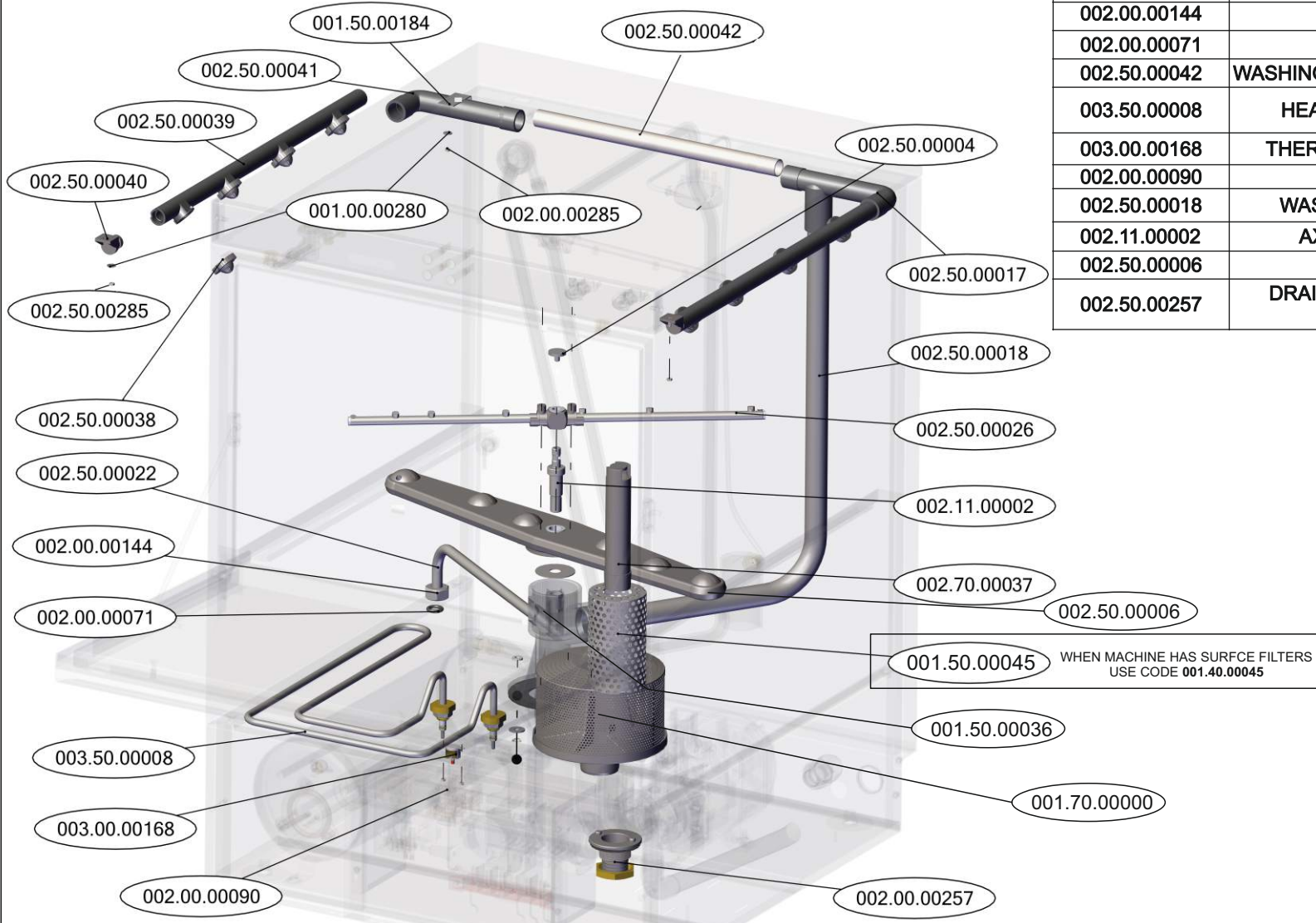
MODEL A500

R1

DESCRIPTION : ELECTROMECHANICAL - INSIDE-BOTTOM

ITEM CODE : -

PART ID	DESCRIPTION	QTY
001.50.00184	INOX BASE FOR WASHING ARM	1
002.50.00041	CONNECTOR WASHING SYSTEM 2 CON.	1
002.50.00017	CONNECTOR WASHING SYSTEM 3 CON.	1
001.00.00280	WASHER D4x10 INOX	3
001.00.00285	NUT M4 INOX	3
002.50.00039	PLASTIC WASH ARM MOD50 LEFT-RIGHT	2
002.50.00040	PLASTIC CAP FOR WASH ARM MOD50	2
002.50.00038	SPRAYER FOR UPPER WASH ARM MOD50	8
002.50.00022	RINSE PIPE MOD50 INOX	1
002.00.00144	RINSE PIPE RETAINING NUT	1
002.00.00071	ORING 11x4 (ON WASH BASE)	1
002.50.00042	WASHING UPPER MED CONNECTION PART 310mm	1
003.50.00008	HEATER ELEMENT TANK 2,8KW 230V V-K	1
003.00.00168	THERMOFUSE TANK 90o(UNDER THE TANK)	1
002.00.00090	NUT M3 GALVANISED	2
002.50.00018	WASHING UPPER SYSTEM INOX SUPPLY	1
002.11.00002	AXLE INOX FOR BASE DOWN MOD50	1
002.50.00006	WASHING ARM DOWN MOD.50	1
002.50.00257	DRAIN & OVERFLOW VALVE PLASTIC BASE COMPLETE	1

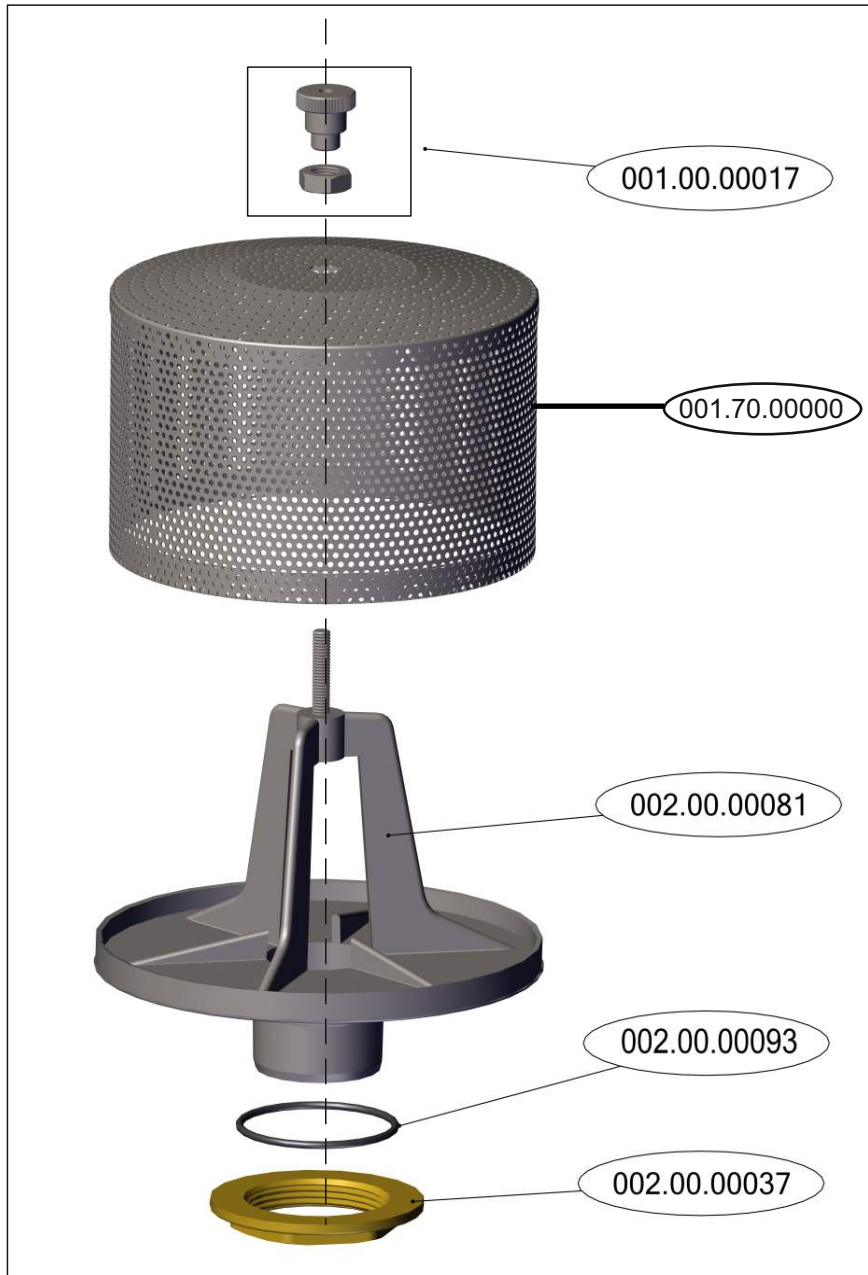


MODEL A500

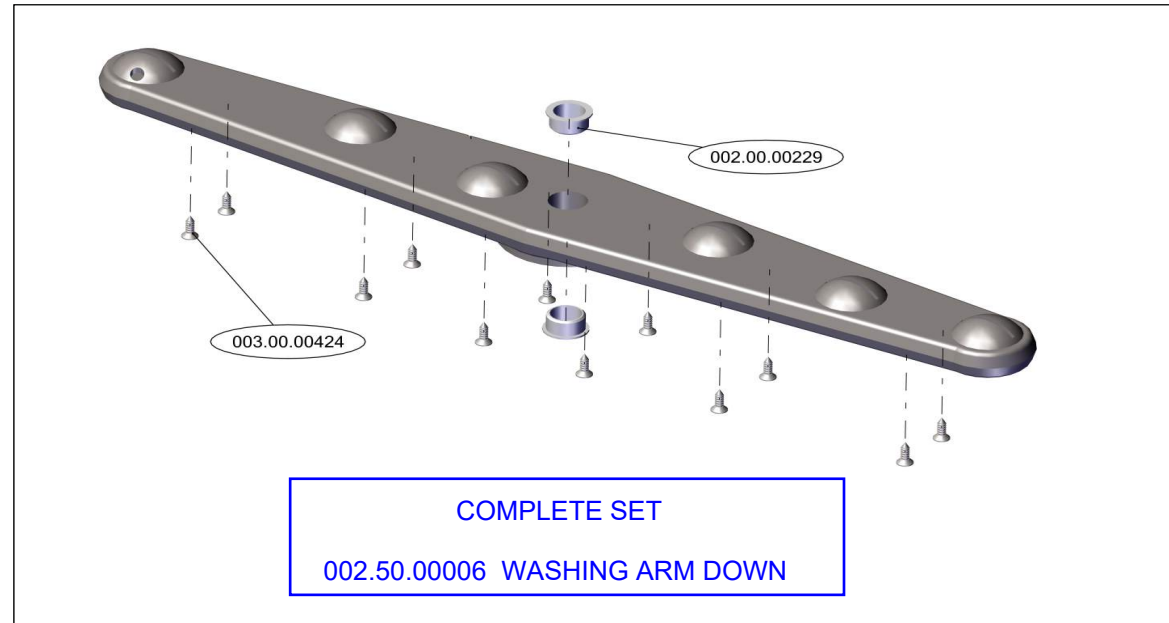
R1

DESCRIPTION : PUMP FILTER, WASHING ARM

ITEM CODE :



PART ID	DESCRIPTION	QTY
002.00.00229	TEFLON 23x10	2
003.00.00424	INOX SCREW 4.2x13	12
001.00.00017	FILTER RETAINING NUT M6	1
002.00.00081	PLASTIC BASE FOR TANK FILTER MOD 50 (WITH ORING 52x2.5)	1
002.00.00037	NUT 1 1/2"	1
002.00.00093	ORING 52x2.5	1
001.70.00000	FILTER IN THE TANK FOR THE PUMP	1
002.50.00006	WASHING ARM DOWN VE-KN	1



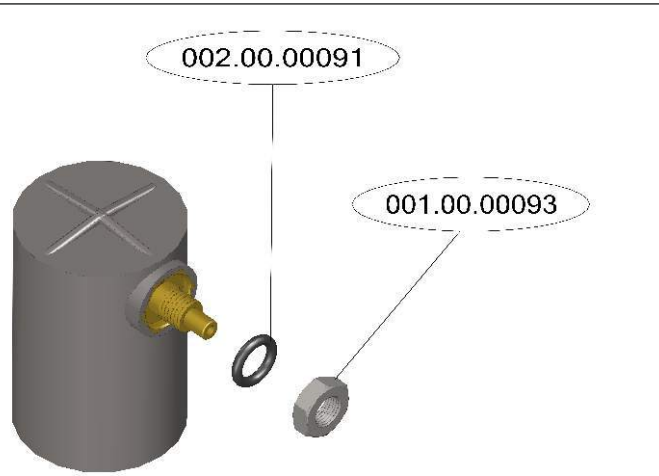
MODEL A500

R1

DESCRIPTION : COMPONENTS

ITEM CODE : -

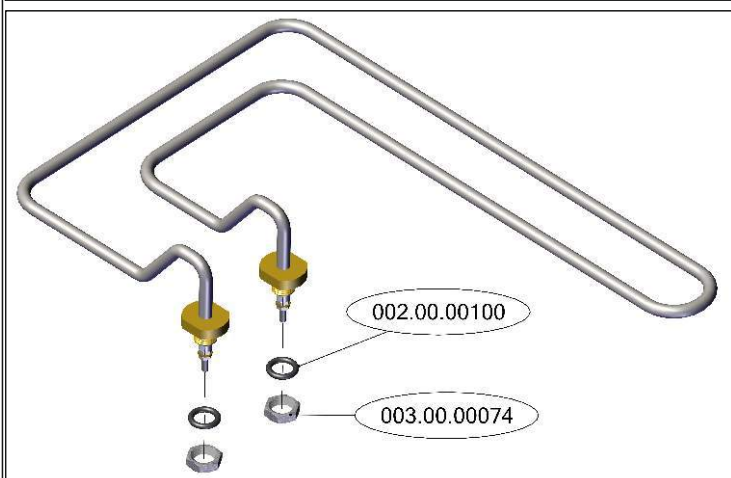
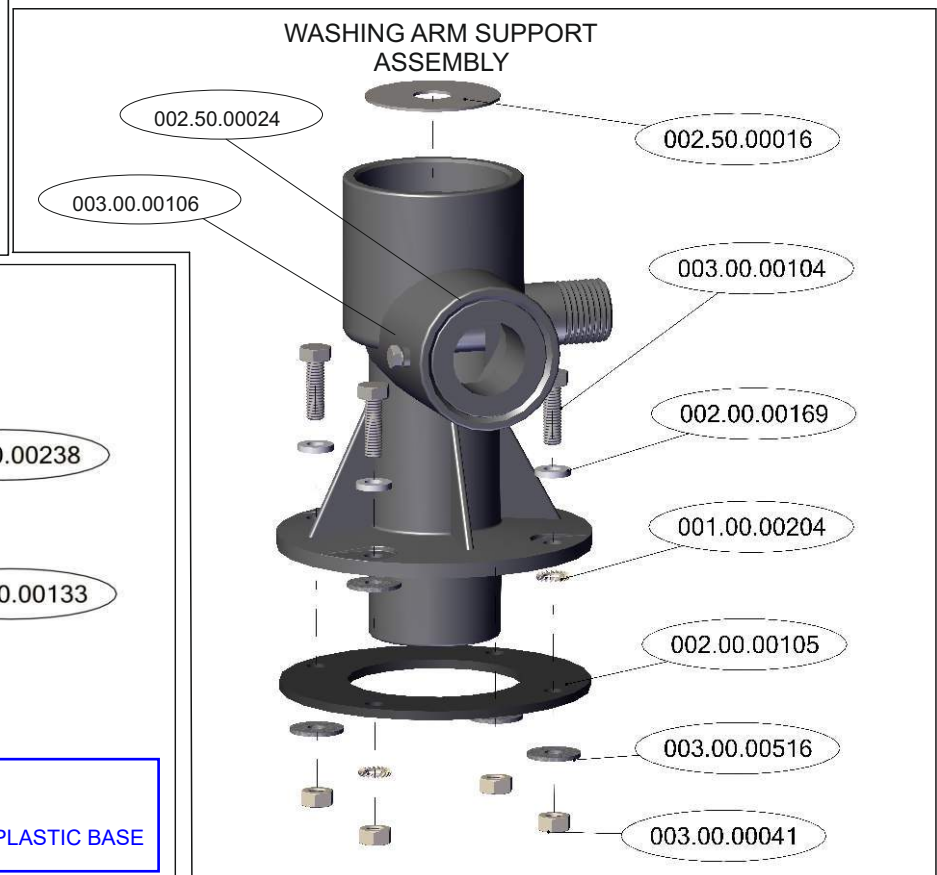
PART ID	DESCRIPTION	QTY
002.00.00238	RUBBER GASKET 36x55x1	1
002.00.00133	BRONZE NUT M36	1
002.00.00091	ORING 3x10.5	1
001.00.00093	NUT M10 INOX - HALF	1
002.00.00100	ORING 14x3.5	1
003.00.00074	NUT M14 GALVANISED	1
002.50.00036	WASHING BASE DOWN V-K (INCLUDED : 002.00.00169, 002.00.00105, 002.50.00024, 003.00.00106)	1
002.50.00016	FLOW CONTROL DISK MOD50	1
003.00.00104	HEX BOLT INOX M6x20	4
002.00.00169	TEFLON 12-6-2	4
001.00.00204	LOCK WASHER D6	4
003.00.00041	NUT M6 GALVANISED	4
002.00.00105	RUBBER GUSKET 103x58x3	1
003.00.00516	WASHER D6x18 GALVANISED	4
002.50.00024	ADAPTOR D40-25 FOR WASH BASE	1
003.00.00106	INOX HEX BOLD M4X15	1



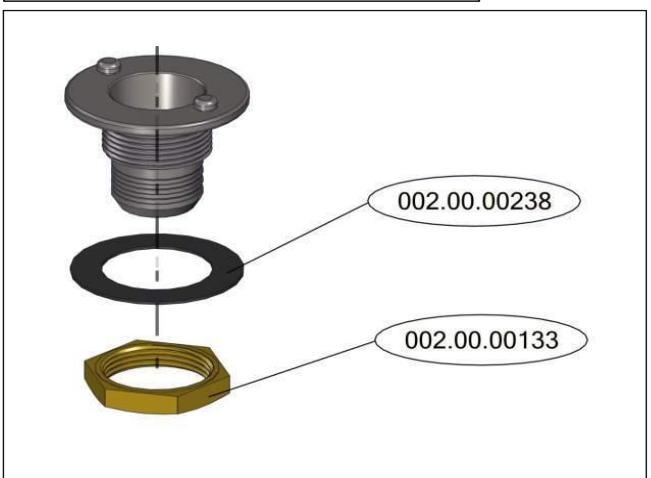
COMPLETE SET
003.00.00014 PRESSOSTAT CHAMBER SET



COMPLETE SET
002.50.00036 WASHING BASE DOWN



COMPLETE SET
003.50.00008 HEATER ELEMENT TANK 2,8Kw 230V



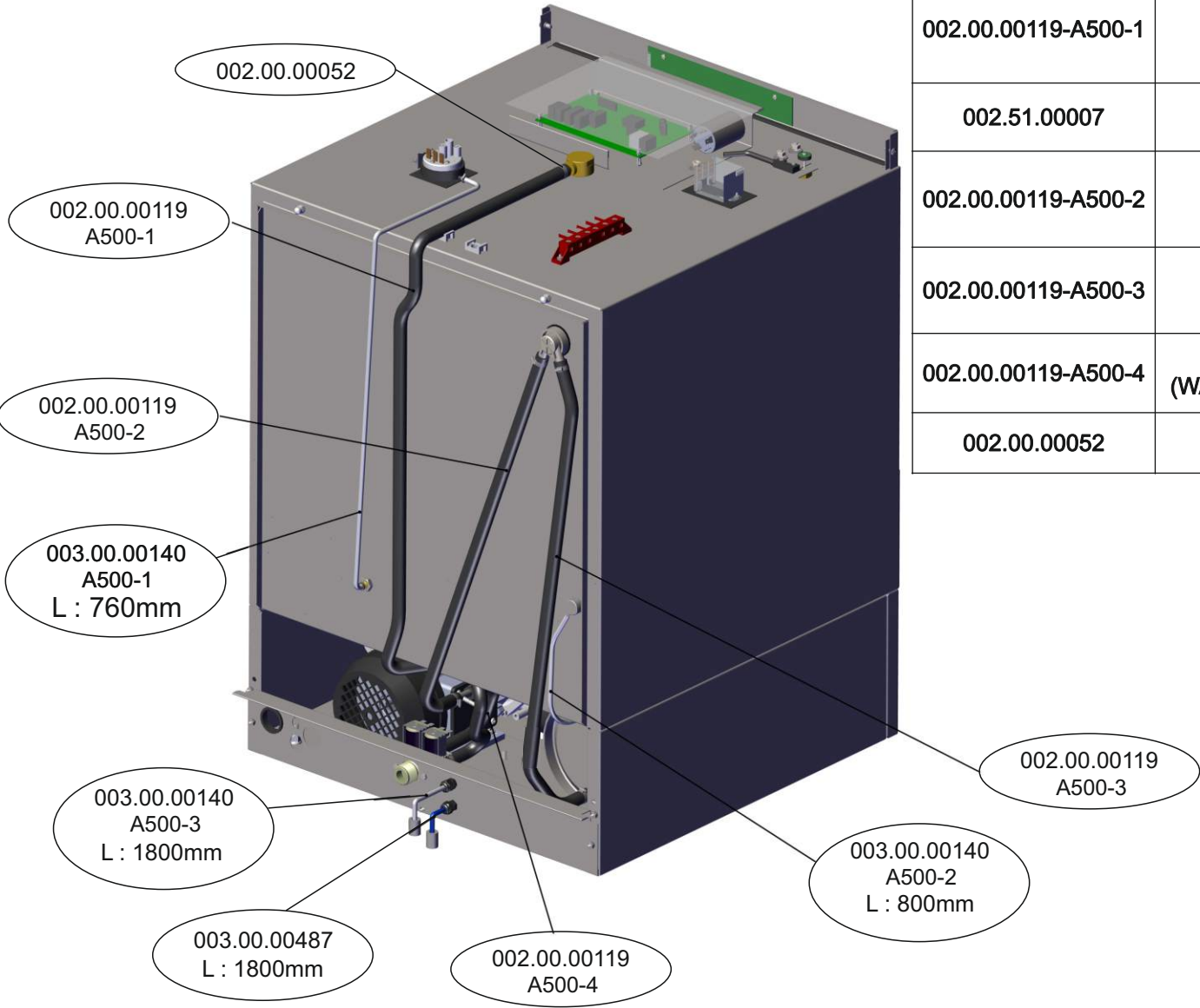
COMPLETE SET
002.00.00257 DRAIN & OVERFLOW VALVE PLASTIC BASE

MODEL A500

R1

DESCRIPTION : HOSES

ITEM CODE : -



PART ID	DESCRIPTION	QTY
002.00.00132-A500-1	HOSE BLACK (1/4) 6x12 , L : 450mm RINSE PUMP ↔ BOILER (HOSE NOT VISIBLE)	1
002.00.00231	CLAMP 8-12 (FOR HOSE 1/4)	4
002.00.00119-A500-1	HOSE BLACK (3/8) 10x16.5 L : 1200mm BOILER ↔ UPPER RINSE ARM	1
002.51.00007	T-CONNECTOR D10-D10 (APPLIED ON 002.00.00119-A500-1)	1
002.00.00119-A500-2	HOSE BLACK (3/8) 10x16.5 L:880mm WATER VALVE ↔ NO RETURN VALVE	1
002.00.00119-A500-3	HOSE BLACK (3/8) 10x16.5 L : 880mm BOILER ↔ NO RETURN VALVE	1
002.00.00119-A500-4	HOSE BLACK (3/8) 10x16.5 L : 200mm (WATER VALVE ↔002.00.00119-A500-1 T CONNECTOR)	1
002.00.00052	CLAMP 10-16 FOR HOSE 3/8	10

