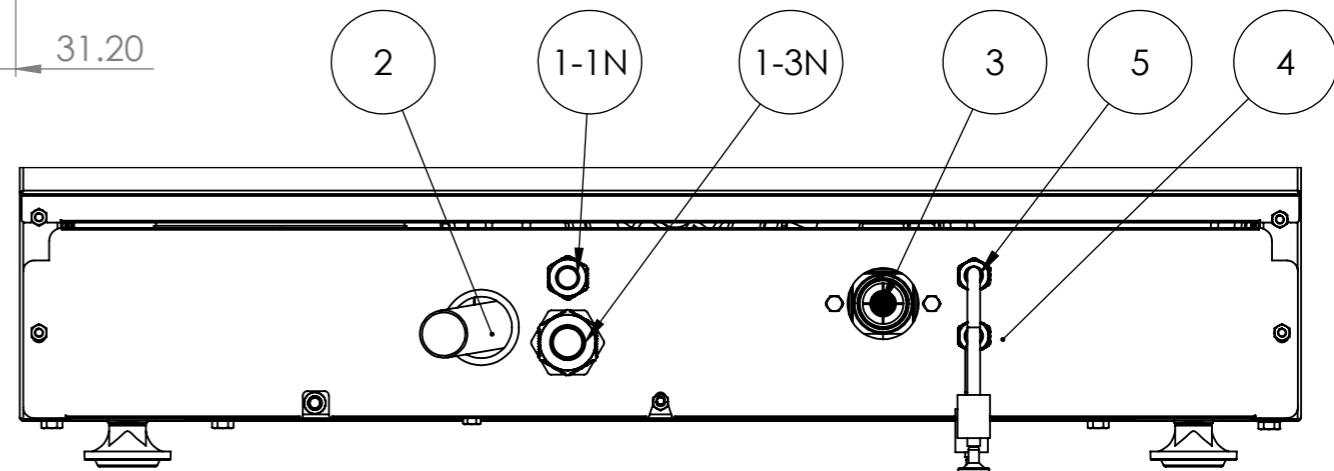


PLASTIC BASKET 50X50 FOR DISH
 MAXIMUM BASKET HEIGHT WITH DISH : 390mm



BOTTOM BACK VIEW-CONNECTIONS

MACHINE PROPERTIES					BALLOON INFORMATION		<h1>ELVIOMEX</h1> <p>INSTALLATION DRAWING E600</p> <p>R1</p>
CAPACITY (Lt)		WEIGHT (Kg)		VOLTAGE (V)	1.	Power Supply 1.75mm Connection <small>1N : H05 VV-F 3x2.5mm, CABLE LENGHT WITH NO PLUG : 1.3m 3N : H05 VV-F 5x2.5mm, CABLE LENGHT WITH NO PLUG : 1.3m</small>	
Boiler	Tank	Net	Gross	1N : 220-240V 50/60Hz	2.	Drainage Pipe (1,0m) OD25 - ID20	
6	9	70	75	3N : 380-415V 50/60Hz	3.	Inlet Male Nozzle Threaded End G3/4" for Water Supply (Pipe length : 1.5m)	
Max.Amp./Phase :		Max.Loading (KW) :			4.	Rinse Aid Flexible Pipe Pos.(Blue) (Outer Diameter 6mm - L:1.5m)	
1N-15.4 3N-12.2		1N-3.6 3N-6.6			5.	Detergent Flexible Pipe Pos. (Clear) (Outer Diameter 6mm - L:1.5m)	